

**BALDOR® • RELIANCE** 

**Product Information Packet**

**VM3537-57**

**.5HP,2850 IP44RPM,3PH,50HZ,56C,3413M**

Part Detail							
Revision:	H	Status:	PRD/A	Change #:		Proprietary:	No
Type:	AC	Elec. Spec:	34WGX538	CD Diagram:	CD0022	Mfg Plant:	
Mech. Spec:	34A063	Layout:	34LYA063	Poles:	02	Created Date:	09-08-2011
Base:	N	Eff. Date:	02-15-2018	Leads:	6#18		

Specs			
Catalog Number:	VM3537-57	Insulation Class:	F
Enclosure:	TEFC	Inverter Code:	Not Inverter
Frame:	56C	KVA Code:	L
Frame Material:	Steel	Lifting Lugs:	No Lifting Lugs
Output @ Frequency:	.500 HP @ 50 HZ	Locked Bearing Indicator:	Locked Bearing
Synchronous Speed @ Frequency:	3000 RPM @ 50 HZ	Motor Lead Quantity/Wire Size:	6 @ 18 AWG
Voltage @ Frequency:	400.0 V @ 50 HZ	Motor Lead Exit:	Ko Box
	230.0 V @ 50 HZ	Motor Lead Termination:	Flying Leads
XP Class and Group:	None	Motor Type:	3413M
XP Division:	Not Applicable	Mounting Arrangement:	F1
Agency Approvals:	UR	Power Factor:	74
	WEEE	Product Family:	General Purpose
	CSA	Pulley End Bearing Type:	Ball
	CE	Pulley Face Code:	C-Face
Auxillary Box:	No Auxillary Box	Pulley Shaft Indicator:	Standard
Auxillary Box Lead Termination:	None	Rodent Screen:	None
Base Indicator:	No Mounting	RoHS Status:	ROHS COMPLIANT
Bearing Grease Type:	Polyrex EM (-20F +300F)	Shaft Extension Location:	Pulley End

<b>Blower:</b>	None	<b>Shaft Ground Indicator:</b>	No Shaft Grounding
<b>Current @ Voltage:</b>	1.100 A @ 400.0 V	<b>Shaft Rotation:</b>	Reversible
	1.900 A @ 230.0 V	<b>Shaft Slinger Indicator:</b>	No Slinger
<b>Design Code:</b>	B	<b>Speed Code:</b>	Single Speed
<b>Drip Cover:</b>	No Drip Cover	<b>Motor Standards:</b>	NEMA
<b>Duty Rating:</b>	CONT	<b>Starting Method:</b>	Direct on line
<b>Electrically Isolated Bearing:</b>	Not Electrically Isolated	<b>Thermal Device - Bearing:</b>	NONE (OLD)
<b>Feedback Device:</b>	NO FEEDBACK	<b>Thermal Device - Winding:</b>	None
<b>Front Face Code:</b>	Standard	<b>Vibration Sensor Indicator:</b>	No Vibration Sensor
<b>Front Shaft Indicator:</b>	None	<b>Winding Thermal 1:</b>	None
<b>Heater Indicator:</b>	No Heater	<b>Winding Thermal 2:</b>	None

Nameplate NP1372L										
CAT.NO.	VM3537-57									
SPEC.	34A063X538G1									
HP	.5									
VOLTS	230/400									
AMP	1.9/1.1									
RPM	2850 IP54									
FRAME	56C				HZ	50			PH	3
SER.F.	1.25		CODE	L	DES	B		CL	F	
NEMA-NOM-EFF	72		PF	74						
RATING	40C AMB-CONT									
CC									USABLE AT 208V	
DE	6203				ODE	6203				
ENCL	TEFC		SN							
	SFA 2.1/1.2									

Parts List		
Part Number	Description	Quantity
SA230330	SA 34A063X538G1	1.000 EA
RA217360	RA 34A063X538G1	1.000 EA
NS2512A01	INSULATOR, CONDUIT BOX X	1.000 EA
34CB3002A	CB CAST W/.88 DIA HOLE	1.000 EA
34GS1029A01	GASKET, CONDUIT BOX	1.000 EA
51XB1016A07	10-16 X 7/16 HXWSSLD SERTYB	2.000 EA
11XW1032G06	10-32 X .38, TAPTITE II, HEX WSHR SLTD U	1.000 EA
34EP3102A01SP	FR ENDPLATE, MACH	1.000 EA
HW5100A03	WAVY WASHER (W1543-017)	1.000 EA
34EP3300A24SP	PU ENDPLATE, MACH	1.000 EA
51XN1032A20	10-32 X 1 1/4 HX WS SL SR	2.000 EA
34FN3002A01SP	EXTERNAL FAN, PLASTIC, .637/.639 HUB W/	1.000 EA
51XW1032A06	10-32 X .38, TAPTITE II, HEX WSHR SLTD S	3.000 EA
34CB4517	CB LID 4 MTG HOLES .22 DIA STAMPED, FOR	1.000 EA
34GS1031A01	GASKET, FLAT CONDUIT BOX LID (LEXIDE)	1.000 EA
51XW0832A07	8-32 X .44, TAPTITE II, HEX WSHR SLTD SE	4.000 EA
HW2501D13	KEY, 3/16 SQ X 1.375	1.000 EA
HW3001B02	BRASS CUP WASHER W/GROUND SYMBOL TAB,	1.000 EA
34FH4002A01SP	IEC FH NO GREASER PRIMED	1.000 EA
HA7000A04	KEY RETAINER 0.625 DIA SHAFTS	1.000 EA
MG1000G27	MED CHARCOAL METALLIC GREY 400-0096	0.014 GA
HA4067A01	PUSH IN DRAIN FITTING (BLACK)	1.000 EA
HA4067A01	PUSH IN DRAIN FITTING (BLACK)	1.000 EA
HA3100A12	THRUBOLT 10-32 X 7.375	4.000 EA

<b>Parts List (continued)</b>		
<b>Part Number</b>	<b>Description</b>	<b>Quantity</b>
LB1119N	WARNING LABEL	1.000 EA
LC0034	CONNECTION LABEL	1.000 EA
MN416A01	TAG-INSTAL-MAINT no wire (1200/bx) 5/18	1.000 EA
NP1372L	ALUM UL CSA CE CC	1.000 EA
34PA1002	PKG GRP, PRINT PK1001A01	1.000 EA

**AC Induction Motor Performance Data**

Record # 35153 - Typical performance - not guaranteed values

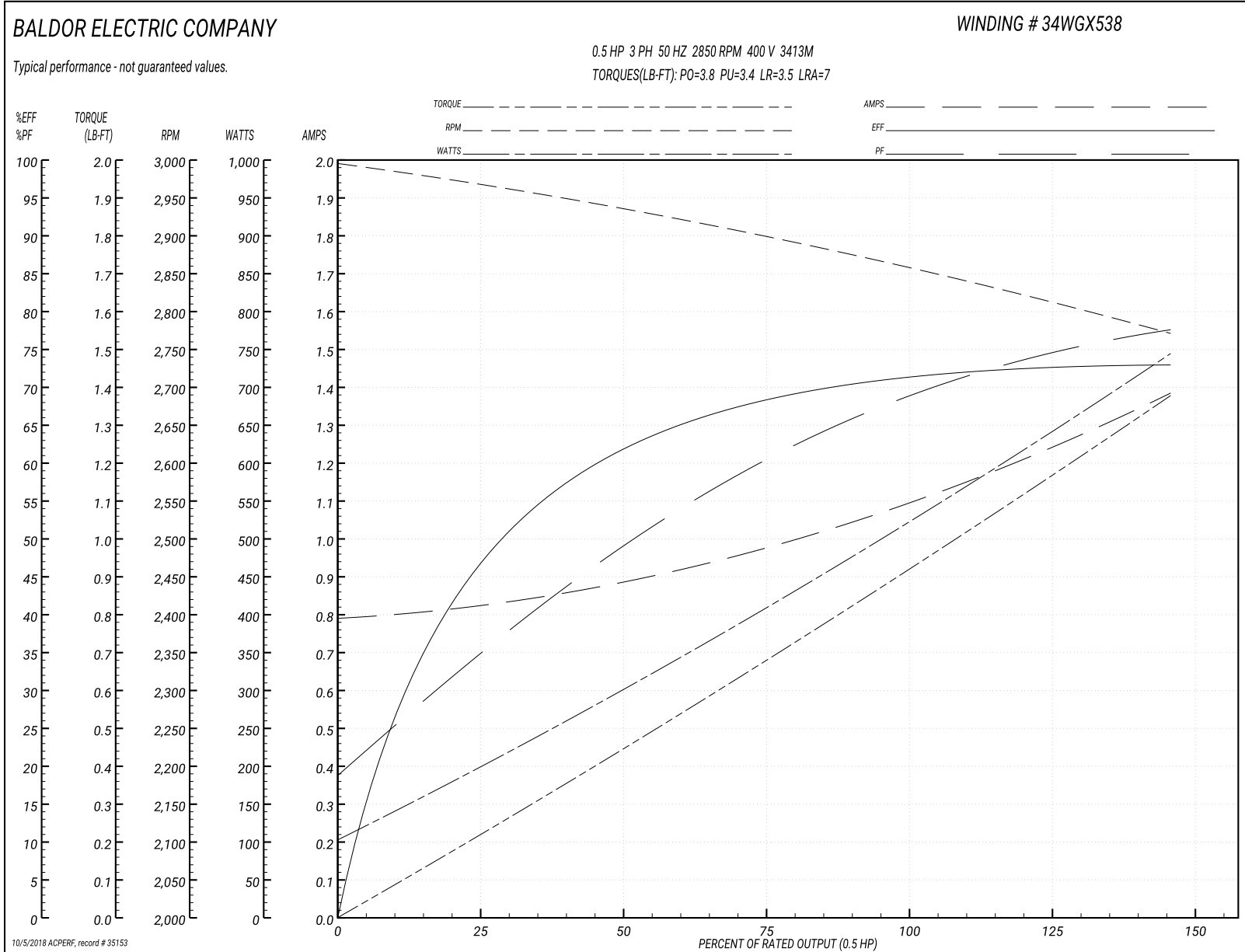
<b>Winding:</b> 34WX538-R003	<b>Type:</b> 3413M	<b>Enclosure:</b> TEFC
------------------------------	--------------------	------------------------

Nameplate Data				400 V, 50 Hz: High Voltage Connection	
Rated Output (HP)	.5			Full Load Torque	0.92 LB-FT
Volts	230/400			Start Configuration	direct on line
Full Load Amps	1.9/1.1			Breakdown Torque	3.8 LB-FT
R.P.M.	2850			Pull-up Torque	3.4 LB-FT
Hz	50	Phase	3	Locked-rotor Torque	3.5 LB-FT
NEMA Design Code	B	KVA Code	L	Starting Current	7 A
Service Factor (S.F.)	1.25			No-load Current	0.8 A
NEMA Nom. Eff.	72	Power Factor	74	Line-line Res. @ 25°C	27 Ω
Rating - Duty	40C AMB-CONT			Temp. Rise @ Rated Load	63°C
S.F. Amps	2.1/1.2			Temp. Rise @ S.F. Load	75°C
				Locked-rotor Power Factor	78
				Rotor inertia	0.0121 LB-FT <sup>2</sup>

Load Characteristics 400 V, 50 Hz, 0.5 HP

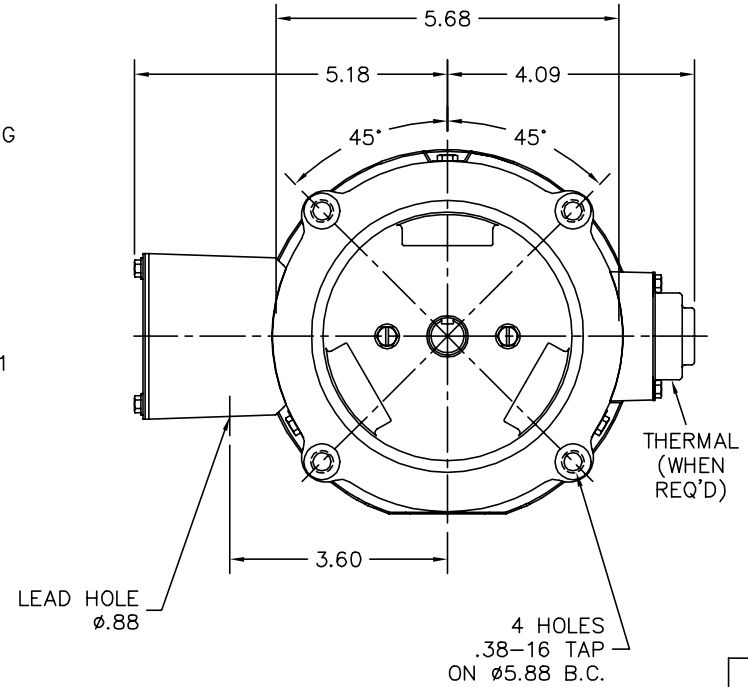
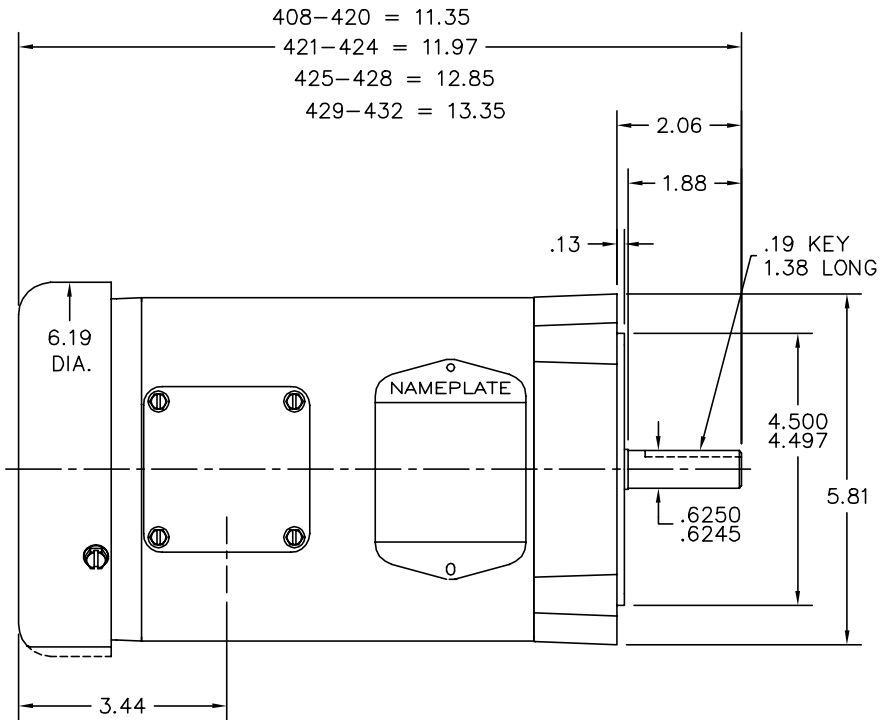
% of Rated Load	25	50	75	100	125	150	S.F.
Power Factor	34	49	61	70	77	81	77
Efficiency	46.8	62	68.7	71.7	72.8	72.7	72.8
Speed	2985	2927	2893	2857	2817	2772	2817
Line amperes	0.8	0.9	1	1.1	1.2	1.4	1.2

Performance Graph at 400V, 50Hz, 0.5HP Typical performance - Not guaranteed values





34LYA063



CUSTOMER IS RESPONSIBLE FOR DETERMINING THAT BALDOR'S PRODUCT WILL PERFORM SUITABLY IN THE INTENDED APPLICATION.

REV. DESC: UPDATE PARTS		
REV. LTR: L	VERSION: 02	TDR: 000000998268
FILE: \AAA\00000\724	REVISED: 02:36:11 09/27/2016	BY: ENBENBO
MTL: -		

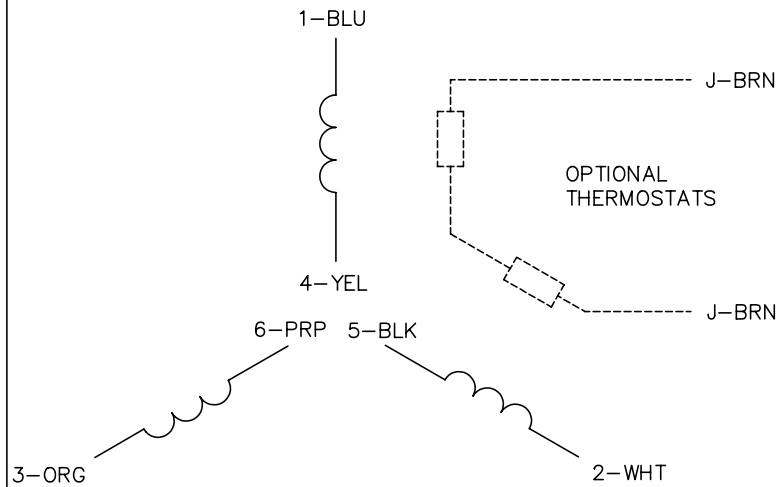
**BALDOR**

STD VERT 34M NEMA 56C TEFC

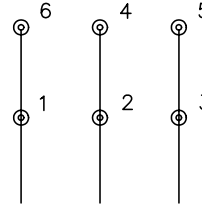
SH 1 of 1

34LYA063

CD0022

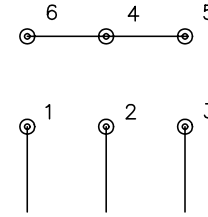


LOW VOLTAGE  
(1D)



LINE

HIGH VOLTAGE  
(1Y)



LINE

NOTES:

1. INTERCHANGE ANY TWO LINE LEADS TO REVERSE ROTATION.
2. OPTIONAL THERMOSTATS ARE PROVIDED WHEN SPECIFIED.
3. ACTUAL NUMBER OF INTERNAL PARALLEL CIRCUITS MAY BE A MULTIPLE OF THOSE SHOWN ABOVE.
4. LEAD COLORS ARE OPTIONAL. LEADS MUST ALWAYS BE NUMBERED AS SHOWN.

REV. DESC: REVISE TO SHOW OPTIONAL COLORS

REV. LTR: F

BY: JLP

REVISED: 01/21/99 3:54

TDR: 0171435

CD0022

FILE: AAA00005144

MDL: -

MTL: -

**BALDOR ELECTRIC Co.**

3PH, DV, 6 LEADS, DELTA/WYE CONNECTION

CD0022