

**BALDOR® • RELIANCE** 

**Product Information Packet**

**VNEDM3546T**

**1HP,1745RPM,3PH,60HZ,143TC,3524M,TEFC,F1**

Part Detail							
Revision:	E	Status:	PRD/A	Change #:		Proprietary:	No
Type:	AC	Elec. Spec:	35WGP560	CD Diagram:	CD0005	Mfg Plant:	
Mech. Spec:	35E4321	Layout:	35LYE4321	Poles:	04	Created Date:	04-15-2016
Base:	N	Eff. Date:	01-12-2017	Leads:	9#18		

Specs			
Catalog Number:	VNEDM3546T	Heater Indicator:	No Heater
Enclosure:	TENV	Insulation Class:	F
Frame:	143TC	Inverter Code:	Inverter Ready
Frame Material:	Steel	KVA Code:	M
Output @ Frequency:	1.000 HP @ 60 HZ	Lifting Lugs:	No Lifting Lugs
Synchronous Speed @ Frequency:	1800 RPM @ 60 HZ	Locked Bearing Indicator:	Locked Bearing
Voltage @ Frequency:	460.0 V @ 60 HZ	Motor Finish:	UNPAINTED
	230.0 V @ 60 HZ	Motor Lead Quantity/Wire Size:	9 @ 18 AWG
XP Class and Group:	None	Motor Lead Exit:	Ko Box
XP Division:	Not Applicable	Motor Lead Termination:	Flying Leads
Agency Approvals:	UR	Motor Type:	3524M
	CSA EEV	Mounting Arrangement:	F1
	CCSA US	Power Factor:	76
Auxillary Box:	No Auxillary Box	Product Family:	Dirty Duty Plus
Auxillary Box Lead Termination:	None	Pulley End Bearing Type:	Sealed Bearing
Base Indicator:	No Mounting	Pulley Face Code:	C-Face
Bearing Grease Type:	Polyrex EM (-20F +300F)	Pulley Shaft Indicator:	Standard
Blower:	None	Rodent Screen:	None

<b>Constant Torque Speed Range:</b>	6	<b>Shaft Extension Location:</b>	Pulley End
<b>Current @ Voltage:</b>	1.450 A @ 460.0 V	<b>Shaft Ground Indicator:</b>	No Shaft Grounding
	2.900 A @ 230.0 V	<b>Shaft Rotation:</b>	Reversible
	3.000 A @ 208.0 V	<b>Shaft Slinger Indicator:</b>	No Slinger
<b>Design Code:</b>	B	<b>Speed Code:</b>	Single Speed
<b>Drip Cover:</b>	No Drip Cover	<b>Motor Standards:</b>	NEMA
<b>Duty Rating:</b>	CONT	<b>Starting Method:</b>	Direct on line
<b>Electrically Isolated Bearing:</b>	Not Electrically Isolated	<b>Thermal Device - Bearing:</b>	NONE (OLD)
<b>Feedback Device:</b>	NO FEEDBACK	<b>Thermal Device - Winding:</b>	None
<b>Front Face Code:</b>	Standard	<b>Vibration Sensor Indicator:</b>	No Vibration Sensor
<b>Front Shaft Indicator:</b>	None	<b>Winding Thermal 1:</b>	None
		<b>Winding Thermal 2:</b>	None

Nameplate NP3504E										
CAT NO	VNEDM3546T									
SPEC.	35E4321P560G1						ENCL	TENV		
FRAME	143TC			HP		1				
VOLTS	230/460									
FLA	2.9/1.45					I.P.	56			
RPM	1745			RPM MAX		2700				
HZ	60			PH	3		CLASS	F		
SER.F.	1.15			DES	B		CC	010A		
NEMA-NOM-EFF	85.5									
RATING	40C AMB-CONT									
DE BRG	6205			ODE BRG		6203				
GREASE	POLYREX EM									
C HP FR	60			C HP TO		90				
CT HZ FROM	6			CT HZ TO		60				
SER.NO										
	50C AT 1.0 SF									
						VT HZ FROM	6		VT HZ TO	60

Parts List		
Part Number	Description	Quantity
SA319776	SA 35E4321P560G1	1.000 EA
RA307484	RA 35E4321P560G1	1.000 EA
NS2512A01	INSULATOR, CONDUIT BOX X	1.000 EA
35CB1001A01E	SPL CONDUIT BOX, MACHINED (E-COAT)	1.000 EA
35GS1022A02	GASKET BOX .06 THK NEOP BLK HDN 30-40 DU	1.000 EA
51XB1016A08	10-16X 1/2HXWSSLD SERTYB	2.000 EA
11XW1032G06	10-32 X .38, TAPTITE II, HEX WSHR SLTD U	1.000 EA
HW3001B01	BRASS CUP WASHER, FOR #10 SCREW	1.000 EA
35EP1100B94E	FREP TENV (4).125 NPT DRAINS	1.000 EA
HA4054	SHORT T-DRAIN FITTING, .125" N.P.T.	1.000 EA
HW4500A33	1/8 NPT STAINLESS,HOLO-KROME #13002,PRES	3.000 EA
HW5100A03	WAVY WASHER (W1543-017)	1.000 EA
35EP1300A113E	PUEP ENCL 205 BRG F/SEAL, (4).125 NPT	1.000 EA
HA4054	SHORT T-DRAIN FITTING, .125" N.P.T.	1.000 EA
HW4500A33	1/8 NPT STAINLESS,HOLO-KROME #13002,PRES	3.000 EA
HW4606A02	JM CLIPPER/SEAL (LWE-0938-1624-AL23)	1.000 EA
12XN1032S20	10-32 X 1-1/4 HEX M.S. , STAINLESS STEEL	2.000 EA
35CB4516E	CONDUIT BOX LID, E-COAT	1.000 EA
36GS1002	GASKET, 1/16" NEOPRENE CONDUIT BOX LID	1.000 EA
59XW0832S07	TAPTITE II,HEX WSHR UNSLTD SER,410 S.S.,	4.000 EA
HW2502D13	SS KEY, 3/16 SQ X 1.375	1.000 EA
HA7000A01	KEY RETAINER 7/8" DIA SHAFT	1.000 EA
MJ5001A02	732 CL SEALANT 3 OZ DIXIE BEARING 289100	0.001 EA
85XU0407S04	4X1/4 U DRIVE PIN STAINLESS	2.000 EA

<b>Parts List (continued)</b>		
<b>Part Number</b>	<b>Description</b>	<b>Quantity</b>
LB1164	LABEL,WARNING AND DRAIN	1.000 EA
MJ5001A23	P.D. GEORGE B-276 AIR DRY VARNISH	0.001 GA
LB1000	LABEL, DIRTY DUTY	1.000 EA
WD1000D21	TRM,T&B #B71M,RING,18-14,.25,NON-INSL	9.000 EA
MJ1000A02	GREASE, POLYREX EM EXXON (USe 4824-15A)	0.050 LB
MG1500Y02	WILKOPON PRIMER YELLOW	0.010 GA
MG1025L01	WILKOFASD FD, 786.04, BLACK	0.010 GA
HA3100S07	THRUBOLT 10-32 X 8.375 SS	4.000 EA
LC0005	CONN.DIA.,TY M,9-LD,DUAL VOLT,REVERSING	1.000 EA
NP3504E	SS DIRTY DUTY PLUS INV UL CSA-C US EEV	1.000 EA
35PA1066	PKG GRP, PRINT PK1008A06	1.000 EA
PK3082	STYROFOAM CRADLE	1.000 EA
MN416A01	TAG-INSTAL-MAINT no wire (1200/bx) 5/18	1.000 EA

**AC Induction Motor Performance Data**

Record # 56523 - Typical performance - not guaranteed values

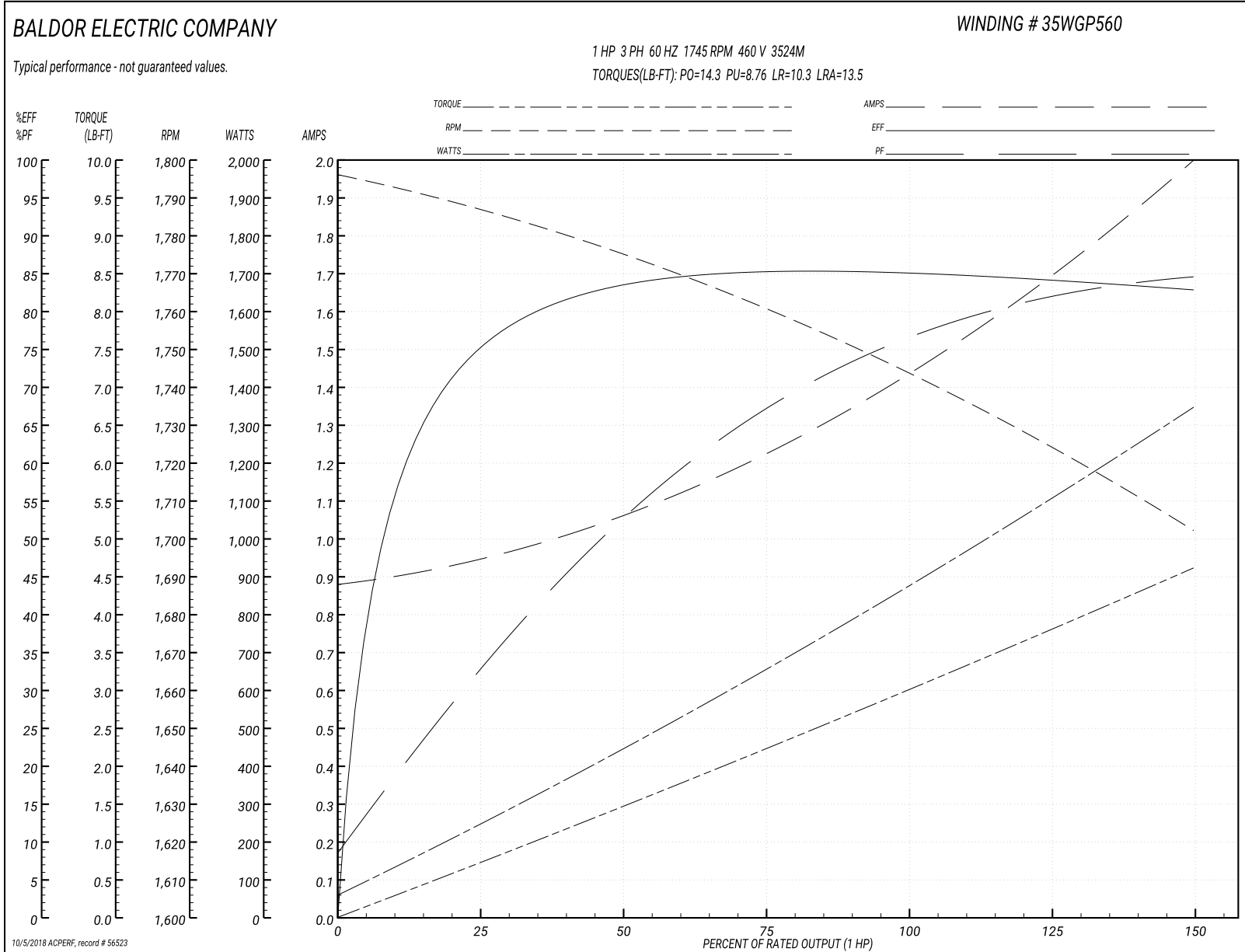
<b>Winding:</b> 35WGP560-R023	<b>Type:</b> 3524M	<b>Enclosure:</b> TENV
-------------------------------	--------------------	------------------------

Nameplate Data				460 V, 60 Hz: High Voltage Connection	
Rated Output (HP)	1			Full Load Torque	3.02 LB-FT
Volts	230/460			Start Configuration	direct on line
Full Load Amps	2.9/1.45			Breakdown Torque	14.3 LB-FT
R.P.M.	1745			Pull-up Torque	8.76 LB-FT
Hz	60	Phase	3	Locked-rotor Torque	10.3 LB-FT
NEMA Design Code	B	KVA Code	M	Starting Current	13.5 A
Service Factor (S.F.)	1.15			No-load Current	0.89 A
NEMA Nom. Eff.	85.5	Power Factor	76	Line-line Res. @ 25°C	14.8 Ω
Rating - Duty	40C AMB-CONT			Temp. Rise @ Rated Load	85°C
S.F. Amps				Temp. Rise @ S.F. Load	100°C
				Locked-rotor Power Factor	61.4
				Rotor inertia	0.142 LB-FT <sup>2</sup>

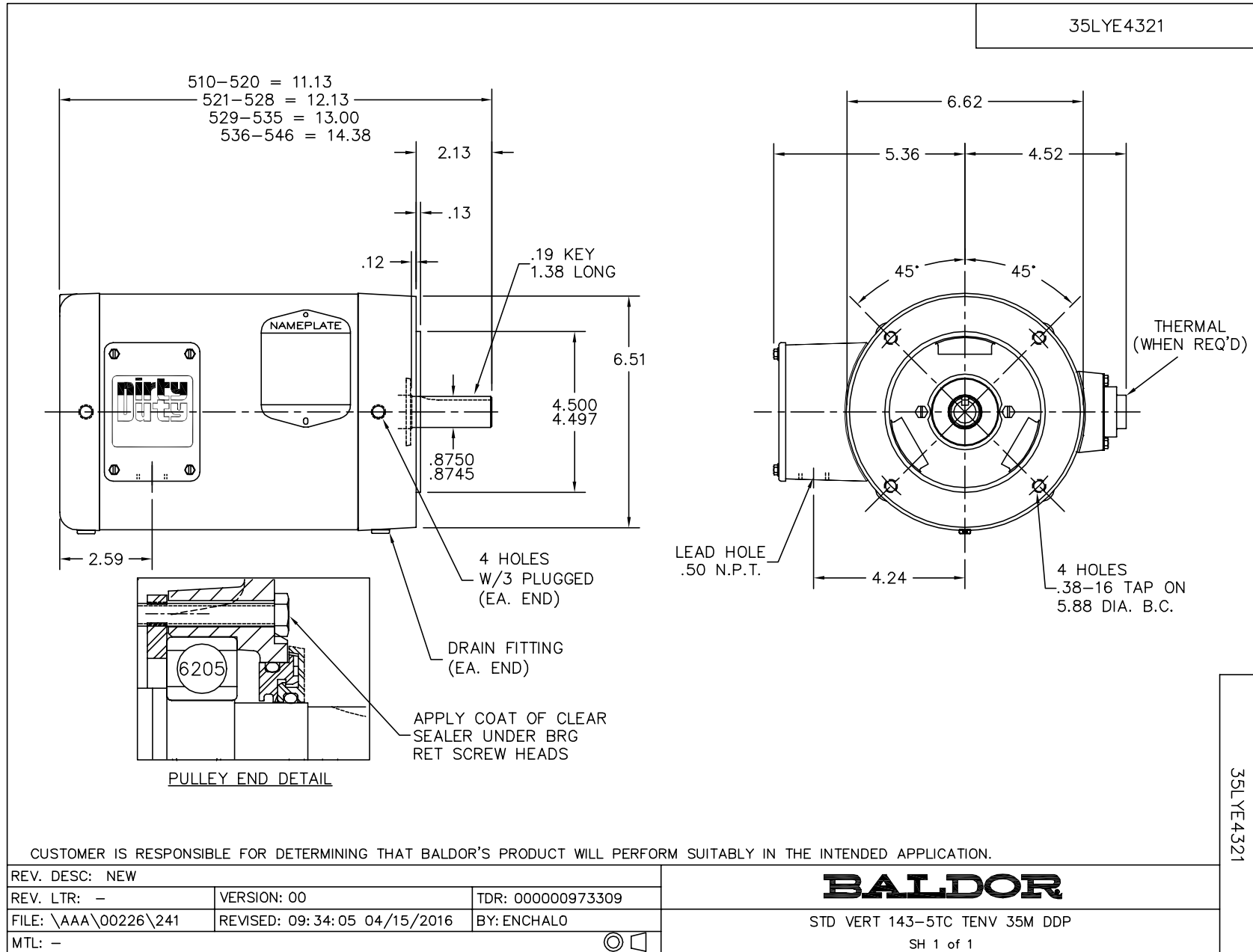
Load Characteristics 460 V, 60 Hz, 1 HP

% of Rated Load	25	50	75	100	125	150	S.F.
Power Factor	33	53	67	76	81	85	79
Efficiency	74.5	82.9	85.2	85.2	84.7	82.6	84.9
Speed	1784	1774	1760	1744	1731	1698	1736
Line amperes	0.935	1.05	1.22	1.45	1.7	1.99	1.6

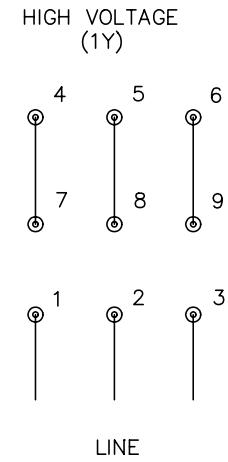
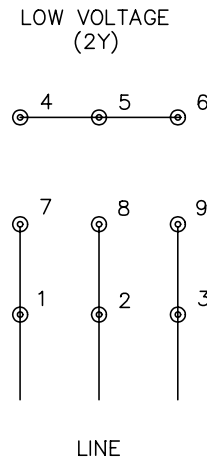
Performance Graph at 460V, 60Hz, 1.0HP Typical performance - Not guaranteed values







CD0005



NOTES:

1. INTERCHANGE ANY TWO LINE LEADS TO REVERSE ROTATION.
2. OPTIONAL THERMOSTATS ARE PROVIDED WHEN SPECIFIED.
3. ACTUAL NUMBER OF INTERNAL PARALLEL CIRCUITS MAY BE A MULTIPLE OF THOSE SHOWN ABOVE.
4. LEAD COLORS ARE OPTIONAL. LEADS MUST ALWAYS BE NUMBERED AS SHOWN.

REV. DESC: REVISE TO SHOW OPTIONAL COLORS			
REV. LTR: E	BY: JLP	REVISED: 01/19/99 10:15	TDR: 0171435
900000		FILE: AAA00005140	MDL: -
		MTL: -	

**BALDOR ELECTRIC Co.**

3PH, DV, 9 LEADS

CD0005