

BALDOR® • RELIANCE 

Product Information Packet

VP3436-14

.56/.75HP, 1750RPM, DC, D80C, 3428P, TEFC, F2

| Part Detail | | | | | | | |
|-------------|------|-------------|-------|----------------|----------|---------------|------------|
| Revision: | AC | Status: | PRD/A | Change #: | | Proprietary: | No |
| Type: | DC | Prod. Type: | 3428P | Elec. Spec: | 34WG3946 | CD Diagram: | CD0194 |
| Enclosure: | TEFC | Mfg Plant: | | Mech. Spec: | 34-6243 | Layout: | 34LY6243 |
| Frame: | D80C | Mounting: | B34 | Poles: | 00 | Created Date: | |
| Base: | RG | Rotation: | R | Insulation: | F | Eff. Date: | 06-15-2018 |
| Field Type: | | Literature: | | Elec. Diagram: | | Replaced By: | |

| Specs | | | |
|----------------------|-------------------------|--|--|
| Enclosure: | TEFC | | |
| Frame: | D80C | | |
| Frame Material: | Steel | | |
| XP Class and Group: | None | | |
| Agency Approvals: | CE | | |
| | CSA | | |
| | UR | | |
| | WEEE | | |
| Base Indicator: | Rigid | | |
| Bearing Grease Type: | Polyrex EM (-20F +300F) | | |
| Drip Cover: | No Drip Cover | | |
| Duty Rating: | CONT | | |
| Feedback Device: | NO FEEDBACK | | |
| Frame Prefix: | D | | |
| Heater Indicator: | No Heater | | |
| Insulation Class: | F | | |

| | | | |
|---------------------------------------|--------------------|--|--|
| Lifting Lugs: | No Lifting Lugs | | |
| Motor Lead Quantity/Wire Size: | 2 @ 14 AWG | | |
| Motor Lead Exit: | Ko Box | | |
| Motor Lead Termination: | Flying Leads | | |
| Mounting Arrangement: | B34 | | |
| Product Family: | General Purpose | | |
| Pulley End Bearing Type: | Sealed Bearing | | |
| Shaft Extension Location: | Pulley End | | |
| Shaft Ground Indicator: | No Shaft Grounding | | |
| Shaft Rotation: | Reversible | | |
| Shaft Slinger Indicator: | No Slinger | | |
| Motor Standards: | IEC | | |
| XP Division: | Not Applicable | | |

| Nameplate NP1049L | | | |
|-------------------|--------------------------|----------|--------------------------|
| CAT.NO. | VP3436-14 | | |
| SPEC. | 34-6243-3946 | | |
| KW/HP | .56/.75 TE | I.P. | 54 |
| RPM | 1750 TE | | |
| IEC FRAME | D80C | TYPE | 3428P |
| ARM V | 180 | ARM A | 3.7 |
| FLD V | | FLD A | |
| INSUL | F | AMB. | 40 |
| DUTY | CONT | SUPPLY | 1.5 |
| BRG/DE | 6205 | BRG/ODE | 6203 |
| BRUSHES | 2/BP5000AW14 | | |
| SER. | | BLANK | |
| BLANK | | | |
| APRV-CE | <input type="checkbox"/> | APRV-CSA | <input type="checkbox"/> |
| | | APRV-UL | <input type="checkbox"/> |

| Parts List | | |
|---------------|--|----------|
| Part Number | Description | Quantity |
| SA005329 | SA 34-6243-3946 | 1.000 EA |
| AA002978 | AA 34-6243-3946 | 1.000 EA |
| BP5000AW14SP | CARBON BRUSH - 33P, 180 VOLTS | 1.000 EA |
| HA3210B66 | .125 DIA X .281 (AUTO) | 2.000 EA |
| 11XW1032G06 | 10-32 X .38, TAPTITE II, HEX WSHR SLTD U | 1.000 EA |
| HW3001B01 | BRASS CUP WASHER, FOR #10 SCREW | 1.000 EA |
| 34EP3103B14 | FR ENDPLATE MACH 34PM TEFC F-2 MTG W/PG- | 1.000 EA |
| WD4100A17 | PLUG STIMPSON D4036 | 1.000 EA |
| HW5100A03 | WAVY WASHER (W1543-017) | 1.000 EA |
| 34EP3303A04 | PU-E.P. IEC-D80C FLANGE PER B14 34DC/PM | 1.000 EA |
| HW4600B49 | SEAL 0.938 X 1.624 X 0.250 SINGLE LIP DB | 1.000 EA |
| 51XN1032A22 | 10-32 X 1 3/8 HX WS SL SR | 2.000 EA |
| BP5201A11SP | BRUSH HOLDER ASSY W/BP4511A01 & BP3000A0 | 1.000 EA |
| 80XN1032A03 | 10-32 X 3/16 SET SCREW | 2.000 EA |
| 34FN3002A01SP | EXTERNAL FAN, PLASTIC, .637/.639 HUB W/ | 1.000 EA |
| 34FH5002A01SP | FAN COVER ASSY W/SHAFT COVER | 1.000 EA |
| 51XW1032A06 | 10-32 X .38, TAPTITE II, HEX WSHR SLTD S | 3.000 EA |
| 34CB4504SP | CONDUIT BOX LID, STAMPED | 1.000 EA |
| 34GS1011SP | GASKET, CONDUIT BOX LID | 1.000 EA |
| 51XW0832A07 | 8-32 X .44, TAPTITE II, HEX WSHR SLTD SE | 2.000 EA |
| HW2504E10 | KEY, 6 MM X 1.000 | 1.000 EA |
| HA7000A11 | KEY RETAINER 0.750 DIA SHAFTS | 1.000 EA |
| WD4102A01 | SR-6L-1 HEYCO STRN RELIEF OR 23MPO6L10 M | 1.000 EA |
| MG1000G27 | MED CHARCOAL METALLIC GREY 400-0096 | 0.014 GA |

| Parts List (continued) | | |
|-------------------------------|--|-----------------|
| Part Number | Description | Quantity |
| MJ5001A27 | 32220KN GRAY SEALER *MIN BUY 4 QTS=1GAL | 0.001 QT |
| MJ5004A05 | #242-21 LOCTITE GENERAL PURPOSE MED. STR | 0.001 EA |
| 85XU0407S04 | 4X1/4 U DRIVE PIN STAINLESS | 2.000 EA |
| ML14A1B14 | 14 AWG,A1,BLACK | 8.500 IN |
| ML14A2B14 | 14 AWG,A2,BLACK | 8.500 IN |
| HA3100A47 | THRUBOLT 10-32 X 7.625 | 4.000 EA |
| LB1119N | WARNING LABEL | 1.000 EA |
| MN416A01 | TAG-INSTAL-MAINT no wire (1200/bx) 5/18 | 1.000 EA |
| LC0194 | CONNECTION LABEL | 1.000 EA |
| NP1049L | NP STD LASER ENGRAVED IEC DC MOTORS, UL | 1.000 EA |
| 27PA1001 | PKG GRP, PRINT PK1027A06 | 1.000 EA |

| Accessories | | |
|--------------------|---------------------------------|-------------------|
| Part Number | Description | Multiplier |
| TK3400 | TACHO MOUNTING KIT FOR TK3400 | A8 |
| TK3400-HPU | HPU10 MOUNTING KIT 34P/35P TEFC | |

DC Motor Performance Data

Record # 1048 - Typical performance - not guaranteed values

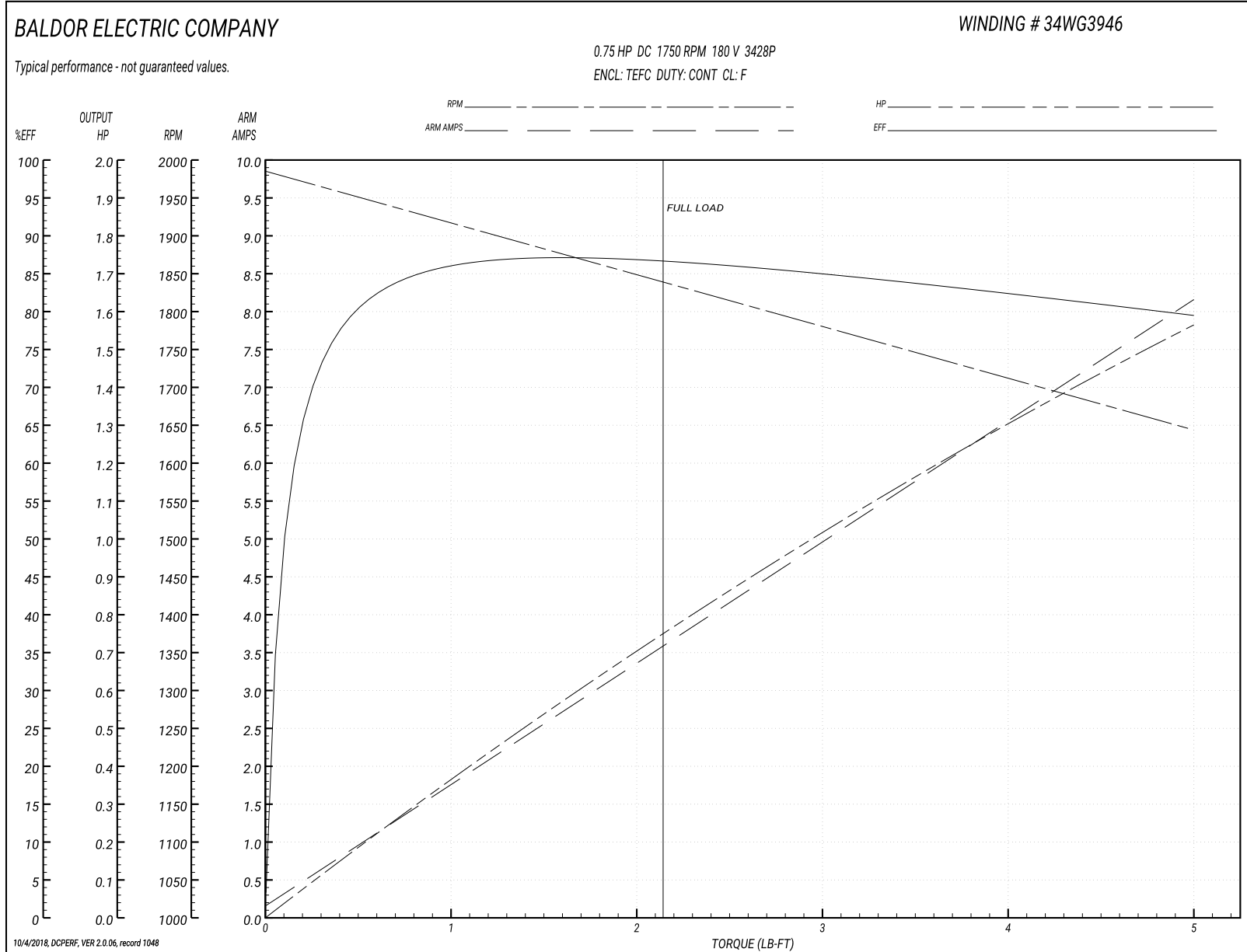
| | | |
|-------------------------------|--------------------|------------------------|
| Winding: 34WG3946-R001 | Type: 3428P | Enclosure: TEFC |
|-------------------------------|--------------------|------------------------|

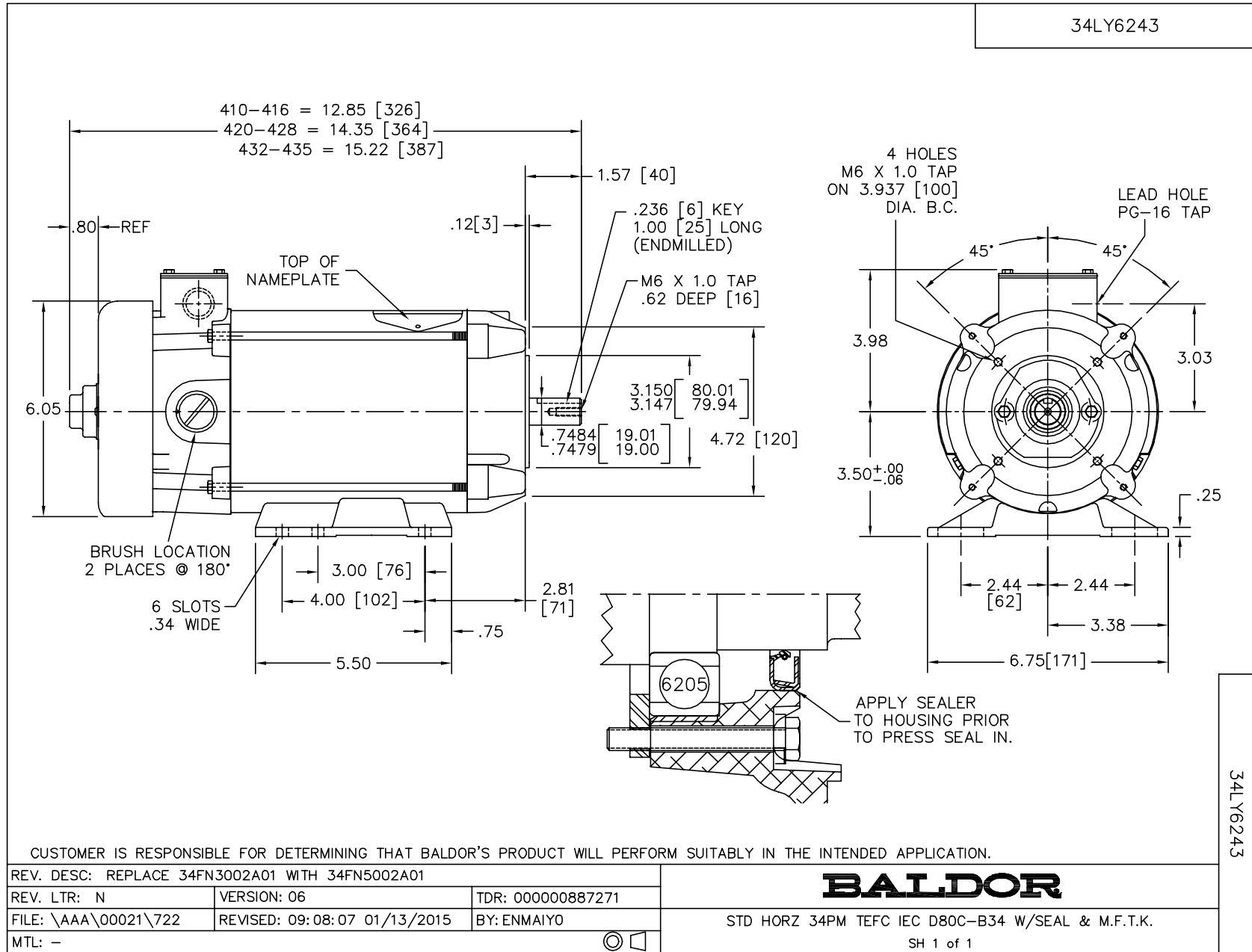
| Nameplate Data | | General Characteristics | |
|-------------------|--------------|----------------------------|------------|
| Rated Output (HP) | 0.75 | Armature Resistance @ 25°C | 2.728 Ω |
| R.P.M. | 1750 | | |
| Armature Volts | 180 | | |
| Armature Amps | 3.7 | | |
| Field Volts | | Armature Inductance | 27.3166 mH |
| Field Amps | | | |
| Rating - Duty | 40C AMB-CONT | | |
| Form Factor | 1.5 | | |
| | | | |

Load Characteristics at 180 Armature Volts

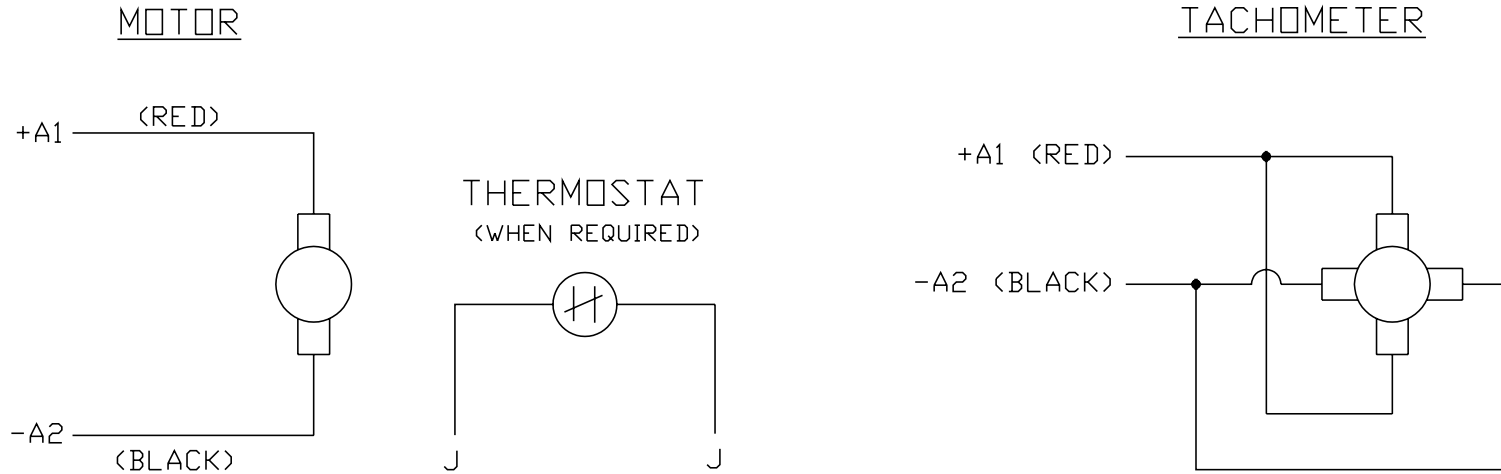
| Load Point | 1 | 2 | 3 | 4 | 5 | 6 | 7 |
|------------------|------|------|------|------|------|------|------|
| Armature Amps | 0.16 | 1.36 | 2.56 | 3.76 | 5.66 | 6.72 | 8.16 |
| R.P.M. | 1985 | 1934 | 1883 | 1832 | 1750 | 1705 | 1644 |
| Torque (LB-FT) | 0 | 0.75 | 1.5 | 2.25 | 3.44 | 4.1 | 5 |

Performance Graph at 180.0 Arm V, 0.75HP Typical performance - Not guaranteed values





CD0194



NOTES:

1. CCW ROTATION AS SHOWN FACING COMMUTATOR END. TO REVERSE MOTOR ROTATION OR TACHOMETER OUTPUT POLARITY INTERCHANGE LEADS A1(RED) & A2(BLACK)
2. LEAD COLORS FOR REFERENCE ONLY & NOT SPECIFIED BY THIS DRAWING. LEAD COLORS SPECIFIED BY LAYOUT DRAWING & BILL OF MATERIAL ONLY.

| | | | |
|---------|--|--------------|-------------------|
| MATL: - | | | |
| REV: E | ADDED NOTE "LEAD COLORS FOR REFERENCE ONLY &..." | | |
| CD0194 | SCALE: - | BY: CK | REVISED: 07/28/95 |
| | FILE: AAA00004503 | TDR: 0078737 | |

BALDOR ELECTRIC Co.

CD TYPE P DC PERMANENT MAGNET MOTORS AND TACHOMETERS

CD0194