

BALDOR® • RELIANCE 

Product Information Packet

VP3585-14

1.5/2HP, 1750RPM, DC, D90C, 3548P, TEFC, F2

Part Detail							
Revision:	AC	Status:	PRD/A	Change #:		Proprietary:	No
Type:	DC	Prod. Type:	3548P	Elec. Spec:	35WGZ170	CD Diagram:	CD0194
Enclosure:	TEFC	Mfg Plant:		Mech. Spec:	35P454	Layout:	35LYP454
Frame:	D90C	Mounting:	B34	Poles:	00	Created Date:	
Base:	RG	Rotation:	R	Insulation:	F	Eff. Date:	01-08-2018
Field Type:		Literature:		Elec. Diagram:		Replaced By:	

Specs			
Enclosure:	TEFC		
Frame:	D90C		
Frame Material:	Steel		
XP Class and Group:	None		
Agency Approvals:	CE		
	CSA		
	UR		
	WEEE		
Base Indicator:	Rigid		
Bearing Grease Type:	Polyrex EM (-20F +300F)		
Drip Cover:	No Drip Cover		
Duty Rating:	CONT		
Feedback Device:	NO FEEDBACK		
Frame Prefix:	D		
Heater Indicator:	No Heater		
Insulation Class:	F		

Lifting Lugs:	No Lifting Lugs		
Motor Lead Quantity/Wire Size:	2 @ 14 AWG, A		
Motor Lead Exit:	Ko Box		
Motor Lead Termination:	Flying Leads		
Mounting Arrangement:	B34		
Product Family:	General Purpose		
Pulley End Bearing Type:	Sealed Bearing		
Shaft Extension Location:	Pulley End		
Shaft Ground Indicator:	No Shaft Grounding		
Shaft Rotation:	Reversible		
Shaft Slinger Indicator:	No Slinger		
Motor Standards:	IEC		
XP Division:	Not Applicable		

Nameplate NP1049L			
CAT.NO.	VP3585-14		
SPEC.	35P454Z170		
KW/HP	1.5/2 TE	I.P.	54
RPM	1750 TE		
IEC FRAME	D90C	TYPE	3548P
ARM V	180	ARM A	9.6
FLD V		FLD A	
INSUL	F	AMB.	40
DUTY	CONT		SUPPLY K
BRG/DE	6206	BRG/ODE	6205
BRUSHES	2/BP5000T15		
SER.		BLANK	
BLANK			
APRV-CE	<input type="checkbox"/>	APRV-CSA	<input type="checkbox"/>
		APRV-UL	<input type="checkbox"/>

Parts List		
Part Number	Description	Quantity
SA005514	SA 35P454Z170	1.000 EA
AA003163	AA 35P454Z170	1.000 EA
BP5000T15SP	CARBON BRUSH-35P,180VOLTS	1.000 EA
11XW1032G06	10-32 X .38, TAPTITE II, HEX WSHR SLTD U	1.000 EA
HW3001B01	BRASS CUP WASHER, FOR #10 SCREW	1.000 EA
35EP3110A04	STD FR EP TEFC F2 MTG FOR EXT T'BOLT 35P	1.000 EA
HW5100A05	WVY WSHR F/205 & 304 BRGS	1.000 EA
35EP1512A03	PU ENDPLATE IEC D90C B14 MTG 206 BRG -E	1.000 EA
HW4600B50SP	SEAL 1.156 X 1.874 X 0.250 SINGLE LIP DB	1.000 EA
51XN1032A24	10-32 X 1 1/2 HX WS SL SR	2.000 EA
BP5201A14SP	BRUSH HOLDER ASSY	1.000 EA
80XN1032A03	10-32 X 3/16 SET SCREW	2.000 EA
MJ5004A05	#242-21 LOCTITE GENERAL PURPOSE MED. STR	0.001 EA
35FN3002A05SP	EXFN, PLASTIC, 6.376 OD, .638 ID	1.000 EA
51XB1214A16	12-14X1.00 HXWSSLD SERTYB	1.000 EA
35FH5001A10SP	FAN COVER ASS'Y TEFC HORZ	1.000 EA
51XW1032A06	10-32 X .38, TAPTITE II, HEX WSHR SLTD S	3.000 EA
WD4102A01	SR-6L-1 HEYCO STRN RELIEF OR 23MPO6L10 M	1.000 EA
WD4100A17	PLUG STIMPSON D4036	1.000 EA
35CB4506	CONDUIT BOX LID, STAMPED	1.000 EA
35GS1010	CONDUIT BOX LID, GASKET	1.000 EA
51XW0832A07	8-32 X .44, TAPTITE II, HEX WSHR SLTD SE	2.000 EA
HW2505A14	KEY, 8 X 7 MM 1.50 INCHES	1.000 EA
HA7000A12	KEY RETAINER 0.945-1.00 DIA SHAFTS	1.000 EA

Parts List (continued)		
Part Number	Description	Quantity
MJ5001A27	32220KN GRAY SEALER *MIN BUY 4 QTS=1GAL	0.001 QT
MG1000G27	MED CHARCOAL METALLIC GREY 400-0096	0.017 GA
85XU0407S04	4X1/4 U DRIVE PIN STAINLESS	2.000 EA
HA3101A25	THRUBOLT 1/4-20 X 11.000 OHIO ROD	4.000 EA
LB1119N	WARNING LABEL	1.000 EA
MN416A01	TAG-INSTAL-MAINT no wire (1200/bx) 5/18	1.000 EA
LC0194	CONNECTION LABEL	1.000 EA
NP1049L	NP STD LASER ENGRAVED IEC DC MOTORS, UL	1.000 EA
35PA1007	PKG GRP, PRINT PK1034A06	1.000 EA

Accessories		
Part Number	Description	Multiplier
TK3500	TACHO MOUTING KIT TK3500	A8

DC Motor Performance Data

Record # 2081 - Typical performance - not guaranteed values

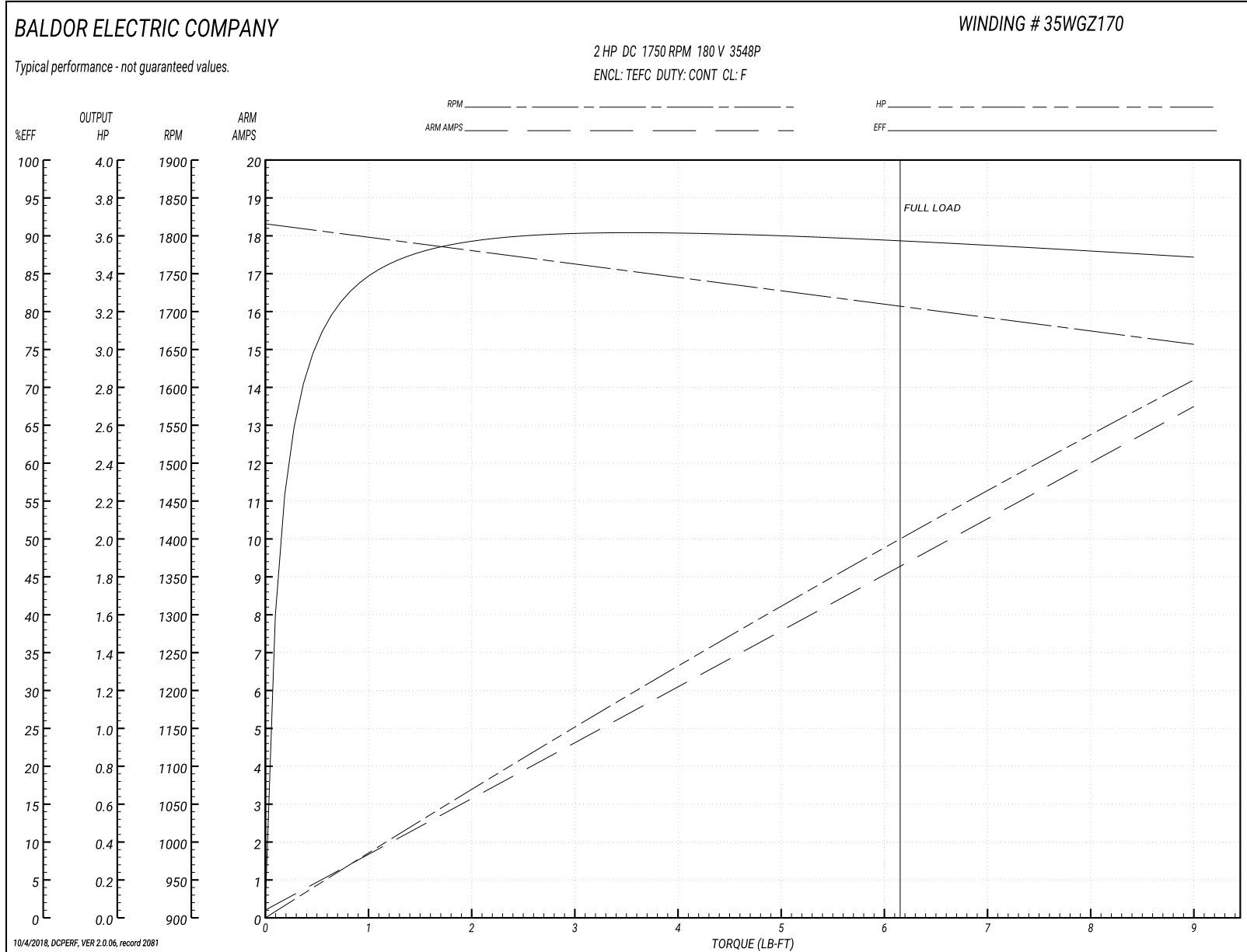
Winding: 35WGZ170-R001	Type: 3548P	Enclosure: TEFC
-------------------------------	--------------------	------------------------

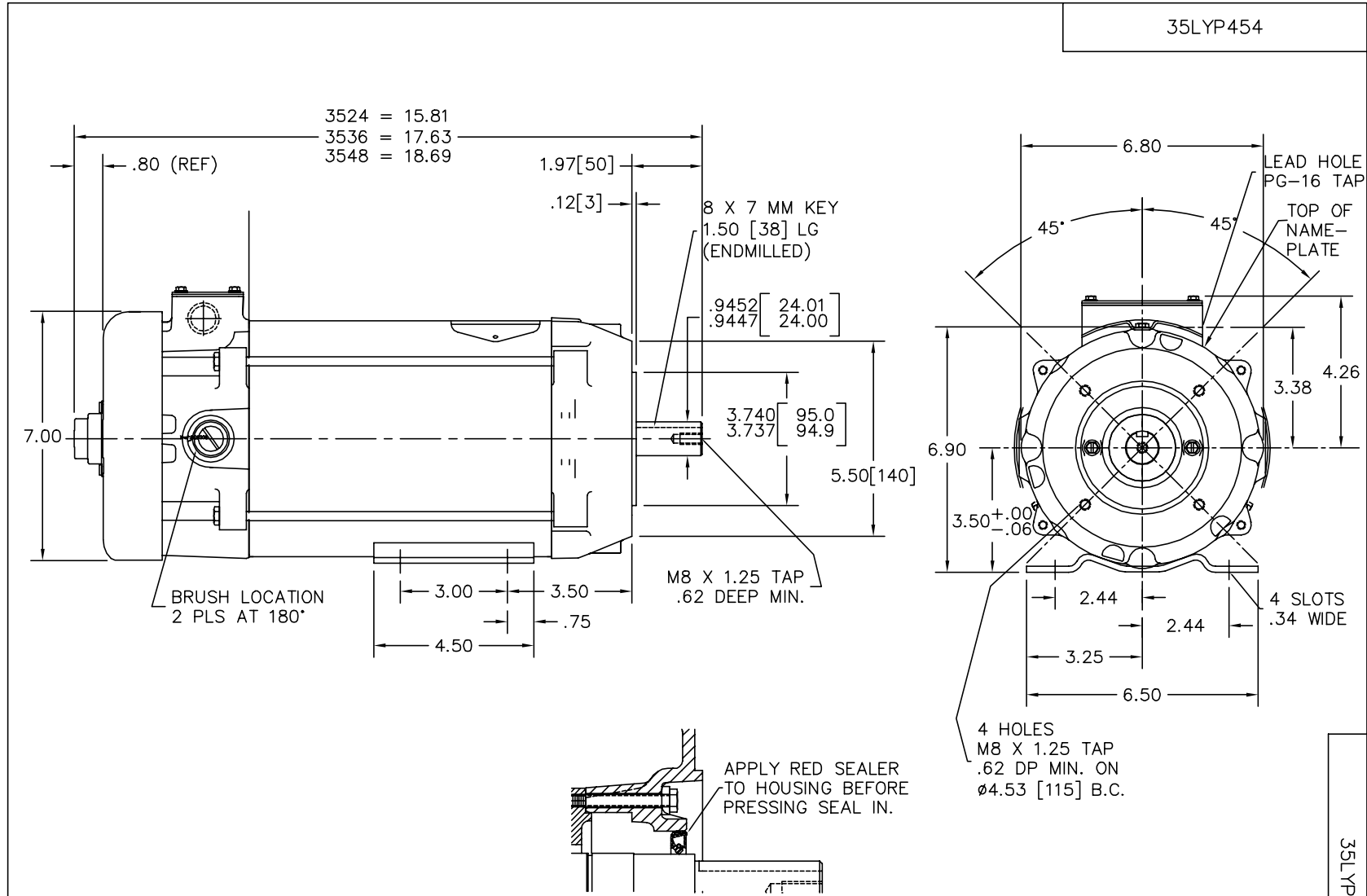
Nameplate Data		General Characteristics	
Rated Output (HP)	2	Armature Resistance @ 25°C	0.8093 Ω
R.P.M.	1750		
Armature Volts	180	Voltage Constant	98.25 v/krpm
Armature Amps	9.6		
Field Volts		Armature Inductance	11.508 mH
Field Amps		Armature Inertia	40.456 LI ²
Rating - Duty	40C AMB-CONT		
Power Supply Code	K		

Load Characteristics at 180 Armature Volts

Load Point	1	2	3	4	5	6	7
Armature Amps	0.2	2.4	4.7	6.8	9	11.3	13.5
R.P.M.	1806	1796	1770	1741	1707	1671	1663
Torque (LB-FT)	0	1.5	3	4.5	6	7.5	9

Performance Graph at 180.0 Arm V, 2.0HP Typical performance - Not guaranteed values





CUSTOMER IS RESPONSIBLE FOR DETERMINING THAT BALDOR'S PRODUCT WILL PERFORM SUITABLY IN THE INTENDED APPLICATION.

REV. DESC: END VIEW ADD LEADER "TOP OF NP"		
REV. LTR: F	VERSION: 01	TDR: 000001029215
FILE: \AAA\00025\393	REVISED: 11:34:55 05/23/2017	BY: ENELLGO
MTL: -		

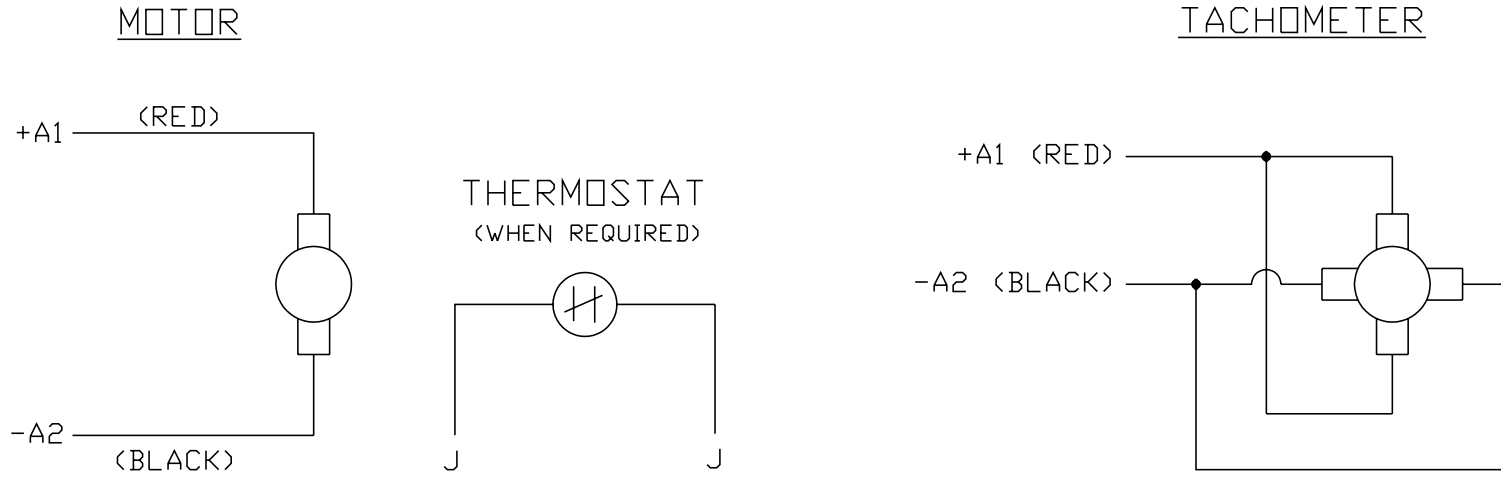
BALDOR

STD HORZ 35PM IEC D90C B34 TEFC F2 W/SEAL & M.F.T.K.

SH 1 of 1

35LYP454

CD0194



NOTES:

1. CCW ROTATION AS SHOWN FACING COMMUTATOR END. TO REVERSE MOTOR ROTATION OR TACHOMETER OUTPUT POLARITY INTERCHANGE LEADS A1(RED) & A2(BLACK)
2. LEAD COLORS FOR REFERENCE ONLY & NOT SPECIFIED BY THIS DRAWING. LEAD COLORS SPECIFIED BY LAYOUT DRAWING & BILL OF MATERIAL ONLY.

MATL: -			
REV: E	ADDED NOTE "LEAD COLORS FOR REFERENCE ONLY &..."		
CD0194	SCALE: -	BY: CK	REVISED: 07/28/95
	FILE: AAA00004503	TDR: 0078737	

BALDOR ELECTRIC Co.

CD TYPE P DC PERMANENT MAGNET MOTORS AND TACHOMETERS

CD0194