

BALDOR® • RELIANCE 

Product Information Packet

VRBM3546

1HP,1700RPM,3PH,60HZ,56C,3436M,TENV,F1,B

Part Detail							
Revision:	D	Status:	PRD/A	Change #:		Proprietary:	No
Type:	AC	Elec. Spec:	34WGR297	CD Diagram:	CD0005	Mfg Plant:	
Mech. Spec:	34K208	Layout:	34LYK208	Poles:	04	Created Date:	04-17-2015
Base:	N	Eff. Date:	09-13-2018	Leads:	9#18		

Specs			
Catalog Number:	VRBM3546	Insulation Class:	F
Enclosure:	TENV	Inverter Code:	Not Inverter
Frame:	56C	KVA Code:	L
Frame Material:	Aluminum	Lifting Lugs:	No Lifting Lugs
Output @ Frequency:	1.000 HP @ 60 HZ	Locked Bearing Indicator:	Locked Bearing
Synchronous Speed @ Frequency:	1800 RPM @ 60 HZ	Motor Lead Quantity/Wire Size:	9 @ 18 AWG
Voltage @ Frequency:	230.0 V @ 60 HZ	Motor Lead Exit:	Ko Box
	460.0 V @ 60 HZ	Motor Lead Termination:	Flying Leads
XP Class and Group:	None	Motor Type:	3436M
XP Division:	Not Applicable	Mounting Arrangement:	F1
Agency Approvals:	UR	Power Factor:	81
	CSA	Product Family:	General Purpose
Auxillary Box:	No Auxillary Box	Pulley End Bearing Type:	Ball
Auxillary Box Lead Termination:	None	Pulley Face Code:	C-Face
Base Indicator:	No Mounting	Pulley Shaft Indicator:	Standard
Bearing Grease Type:	Polyrex EM (-20F +300F)	Rodent Screen:	None
Blower:	None	RoHS Status:	ROHS COMPLIANT
Current @ Voltage:	1.600 A @ 460.0 V	Shaft Extension Location:	Pulley End

	3.200 A @ 230.0 V	Shaft Ground Indicator:	No Shaft Grounding
Design Code:	D	Shaft Rotation:	Reversible
Drip Cover:	No Drip Cover	Speed Code:	Single Speed
Duty Rating:	CONT	Motor Standards:	NEMA
Electrically Isolated Bearing:	Not Electrically Isolated	Starting Method:	Direct on line
Feedback Device:	NO FEEDBACK	Thermal Device - Bearing:	NONE (OLD)
Front Face Code:	Brake Mounting	Thermal Device - Winding:	None
Front Shaft Indicator:	None	Vibration Sensor Indicator:	No Vibration Sensor
Heater Indicator:	No Heater	Winding Thermal 1:	None
		Winding Thermal 2:	None

Nameplate NP1893			
CAT.NO.	VRBM3546		
SPEC.	34K208R297G1		
HP	1		
VOLTS	230/460		
AMPS	3.2/1.6		
RPM	1680		
FRAME	56C	HZ	60
SER.F.	1.00	CODE	L
FL EFF	74	DES	D
RATING	40C AMB-CONT	PF	81
CC		PH	3
DE	6203	CL	F
ENCL	TENV	SER.	
		ODE	6203
		USABLE AT 208V	

Parts List		
Part Number	Description	Quantity
SA299768	SA 34K208R297G1	1.000 EA
RA286797	RA 34K208R297G1	1.000 EA
NS2512A01	INSULATOR, CONDUIT BOX X	1.000 EA
34CB3002A	CB CAST W/.88 DIA HOLE	1.000 EA
34GS1029A01	GASKET, CONDUIT BOX	1.000 EA
51XB1016A07	10-16 X 7/16 HXWSSLD SERTYB	2.000 EA
11XW1032G06	10-32 X .38, TAPTITE II, HEX WSHR SLTD U	1.000 EA
34EP3900T59	FR ENDPLATE, MACH	1.000 EA
HW5100A03	WAVY WASHER (W1543-017)	1.000 EA
34EP3300A24SP	PU ENDPLATE, MACH	1.000 EA
51XN1032A20	10-32 X 1 1/4 HX WS SL SR	2.000 EA
34CB4517	CB LID 4 MTG HOLES .22 DIA STAMPED, FOR	1.000 EA
34GS1031A01	GASKET, FLAT CONDUIT BOX LID (LEXIDE)	1.000 EA
51XW0832A07	8-32 X .44, TAPTITE II, HEX WSHR SLTD SE	4.000 EA
84XN2520J44	1/4-20 X 2 3/4 SOC HD CAP SCREW	4.000 EA
HW2501D01	KEY, 3/16 SQ X 0.438	1.000 EA
HW2501D13	KEY, 3/16 SQ X 1.375	1.000 EA
HA7000A04	KEY RETAINER 0.625 DIA SHAFTS	1.000 EA
33BK0043	STEARNS 3-21-85AF0-OB-WG, .625 BORE, 72L	1.000 EA
MG1000G27	MED CHARCOAL METALLIC GREY 400-0096	0.014 GA
HA3100A64	THRUBOLT 10-32 X 9.875	4.000 EA
LB1119N	WARNING LABEL	1.000 EA
LC0005F02	3PH,DV,REV,9 LEAD MTR W/STEARNS 320 BRK	1.000 EA
NP1893	NP W/O THRM, UL, CSA, CC, SELF-ADHESIVE	1.000 EA

Parts List (continued)		
Part Number	Description	Quantity
MN416A01	TAG-INSTAL-MAINT no wire (1200/bx) 5/18	1.000 EA
36PA1000	PKG GRP, PRINT PK1016A06	1.000 EA
PK3083T	STYROFOAM PACKING CRADLE	1.000 EA
PK3088	MICROFOAM, 8"X"8 PERF. SHEETS 5,400/RL	1.000 EA

AC Induction Motor Performance Data

Record # 55596 - Typical performance - not guaranteed values

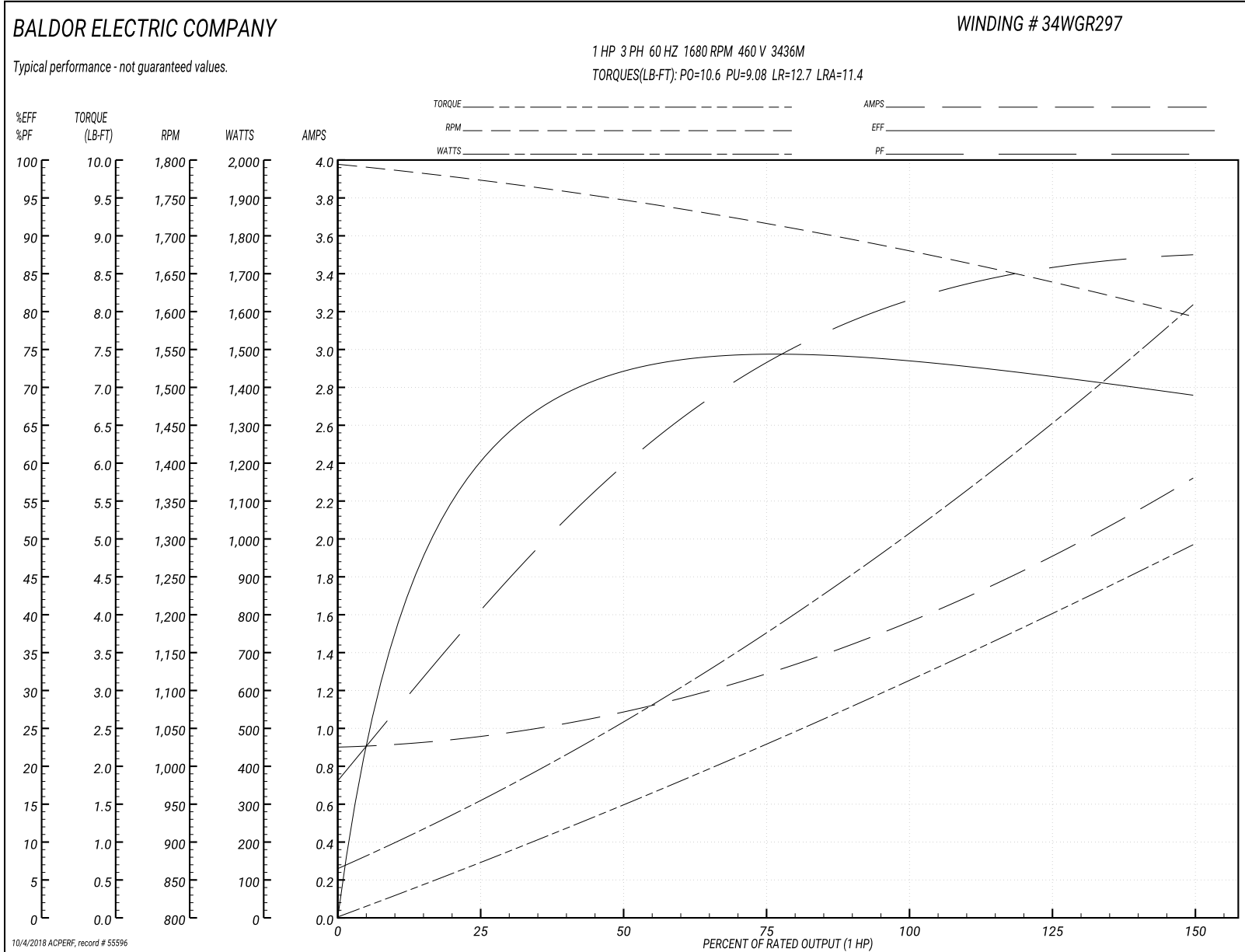
Winding: 34WGR297-R001	Type: 3436M	Enclosure: TENV
-------------------------------	--------------------	------------------------

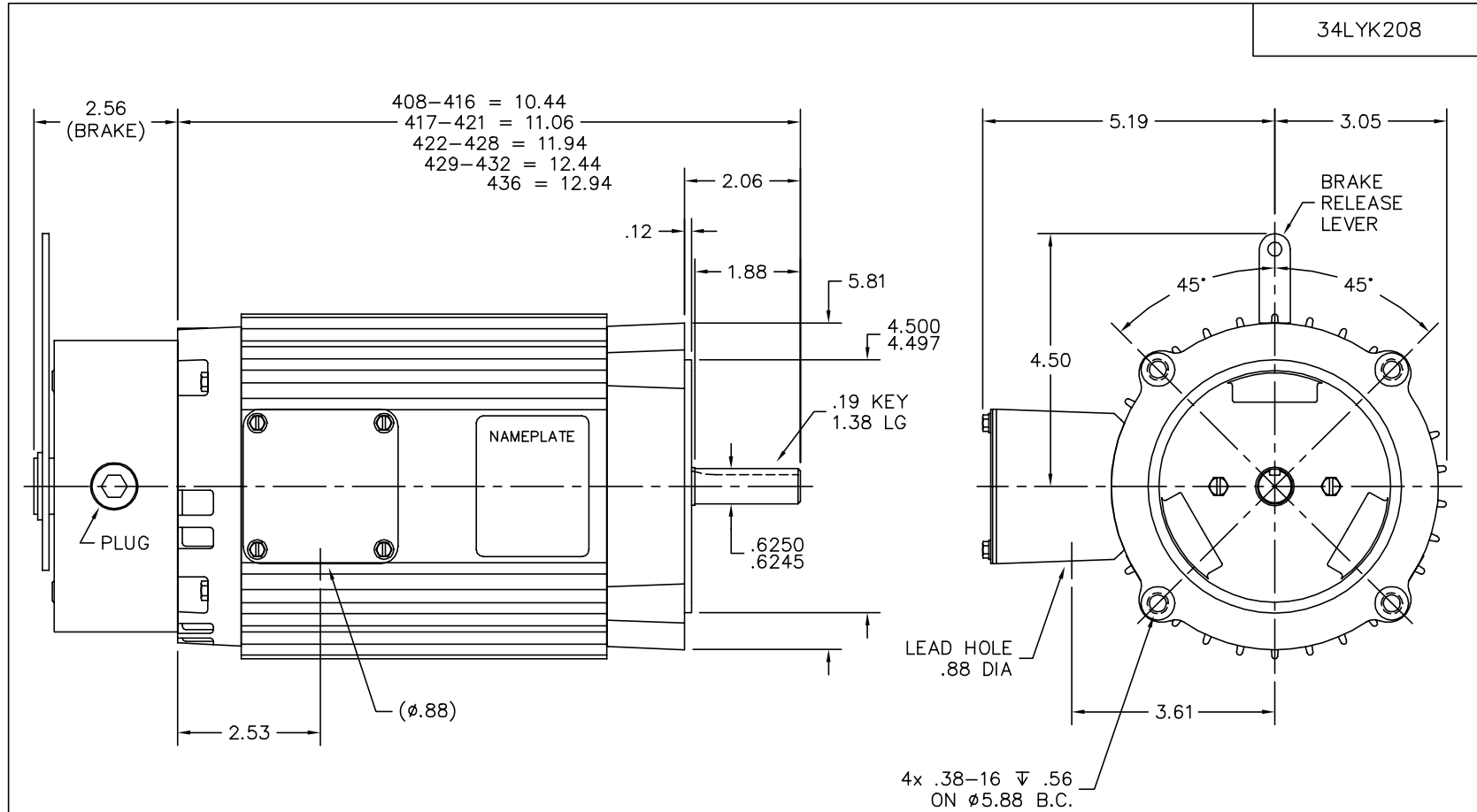
Nameplate Data				460 V, 60 Hz: High Voltage Connection	
Rated Output (HP)	1			Full Load Torque	3.15 LB-FT
Volts	230/460			Start Configuration	direct on line
Full Load Amps	3.2/1.6			Breakdown Torque	10.6 LB-FT
R.P.M.	1680			Pull-up Torque	9.08 LB-FT
Hz	60	Phase	3	Locked-rotor Torque	12.7 LB-FT
NEMA Design Code	D	KVA Code	L	Starting Current	11.4 A
Service Factor (S.F.)	1			No-load Current	0.902 A
NEMA Nom. Eff.	74	Power Factor	81	Line-line Res. @ 25°C	14.869 Ω
Rating - Duty	40C AMB-CONT			Temp. Rise @ Rated Load	100°C

Load Characteristics 460 V, 60 Hz, 1 HP

% of Rated Load	25	50	75	100	125	150
Power Factor	41	61	73	81	85	88
Efficiency	58.6	70.8	74	74.1	72.1	68.6
Speed	1771.5	1744.6	1715.7	1681.5	1642	1590.6
Line amperes	0.946	1.1	1.3	1.56	1.9	2.33

Performance Graph at 460V, 60Hz, 1.0HP Typical performance - Not guaranteed values





34LYK208

CUSTOMER IS RESPONSIBLE FOR DETERMINING THAT MOTOR PERFORMANCE IS SUITABLE IN THE APPLICATION.

REV. DESC: UPDATED NAMEPLATE GRAPHICS		
REV. LTR: C	VERSION: 03	TDR: 000000353756
34LYK208	FILE: \AAA\00119\840	REVISED: 10:33:14 03/29/2005
	MTL: -	BY: ENJFDO

BALDOR ELECTRIC Co.

VERT 34M NEMA 56C TENV W/EXTRUDED FRAME & 321 BRAKE

34LYK208

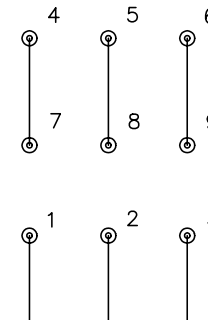
CD0005



LOW VOLTAGE
(2Y)



HIGH VOLTAGE
(1Y)



NOTES:

1. INTERCHANGE ANY TWO LINE LEADS TO REVERSE ROTATION.
2. OPTIONAL THERMOSTATS ARE PROVIDED WHEN SPECIFIED.
3. ACTUAL NUMBER OF INTERNAL PARALLEL CIRCUITS MAY BE A MULTIPLE OF THOSE SHOWN ABOVE.
4. LEAD COLORS ARE OPTIONAL. LEADS MUST ALWAYS BE NUMBERED AS SHOWN.

REV. DESC: REVISE TO SHOW OPTIONAL COLORS			
REV. LTR: E	BY: JLP	REVISED: 01/19/99 10:15	TDR: 0171435
9000D		FILE: AAA00005140	MDL: -
		MTL: -	

BALDOR ELECTRIC Co.

3PH, DV, 9 LEADS

CD0005