

BALDOR® • RELIANCE 

Product Information Packet

VRBM3546T

1HP,1700RPM,3PH,60HZ,143TC,3436M,TENV,F1

Part Detail							
Revision:	D	Status:	PRD/A	Change #:		Proprietary:	No
Type:	AC	Elec. Spec:	34WGR297	CD Diagram:	CD0005	Mfg Plant:	
Mech. Spec:	34K991	Layout:	34LYK991	Poles:	04	Created Date:	04-30-2015
Base:	N	Eff. Date:	09-13-2018	Leads:	9#18		

Specs			
Catalog Number:	VRBM3546T	Inverter Code:	Not Inverter
Enclosure:	TENV	KVA Code:	L
Frame:	143TC	Lifting Lugs:	No Lifting Lugs
Frame Material:	Aluminum	Locked Bearing Indicator:	Locked Bearing
Output @ Frequency:	1.000 HP @ 60 HZ	Motor Lead Quantity/Wire Size:	9 @ 18 AWG
Synchronous Speed @ Frequency:	1800 RPM @ 60 HZ	Motor Lead Exit:	Ko Box
Voltage @ Frequency:	230.0 V @ 60 HZ	Motor Lead Termination:	Flying Leads
	460.0 V @ 60 HZ	Motor Type:	3436M
XP Class and Group:	None	Mounting Arrangement:	F1
XP Division:	Not Applicable	Power Factor:	81
Agency Approvals:	UR	Product Family:	General Purpose
	CSA	Pulley End Bearing Type:	Ball
Auxillary Box:	No Auxillary Box	Pulley Face Code:	C-Face
Auxillary Box Lead Termination:	None	Pulley Shaft Indicator:	Standard
Base Indicator:	No Mounting	Rodent Screen:	None
Bearing Grease Type:	Polyrex EM (-20F +300F)	RoHS Status:	ROHS COMPLIANT
Blower:	None	Shaft Extension Location:	Pulley End
Current @ Voltage:	1.600 A @ 460.0 V	Shaft Ground Indicator:	No Shaft Grounding

	3.200 A @ 230.0 V	Shaft Rotation:	Reversible
Design Code:	D	Shaft Slinger Indicator:	No Slinger
Drip Cover:	No Drip Cover	Speed Code:	Single Speed
Duty Rating:	CONT	Motor Standards:	NEMA
Electrically Isolated Bearing:	Not Electrically Isolated	Starting Method:	Direct on line
Feedback Device:	NO FEEDBACK	Thermal Device - Bearing:	NONE (OLD)
Front Face Code:	Brake Mounting	Thermal Device - Winding:	None
Front Shaft Indicator:	None	Vibration Sensor Indicator:	No Vibration Sensor
Heater Indicator:	No Heater	Winding Thermal 1:	None
Insulation Class:	F	Winding Thermal 2:	None

Nameplate NP1893											
CAT.NO.	VRBM3546T										
SPEC.	34K991R297G1										
HP	1										
VOLTS	230/460										
AMPS	3.2/1.6										
RPM	1680										
FRAME	143TC				HZ	60		PH	3		
SER.F.	1.00			CODE	L		DES	D		CL	F
FL EFF	74			PF	81						
RATING	40C AMB-CONT										
CC								USABLE AT 208V			
DE	6205				ODE	6203					
ENCL	TENV			SER.							

Parts List		
Part Number	Description	Quantity
SA299930	SA 34K991R297G1	1.000 EA
RA286970	RA 34K991R297G1	1.000 EA
NS2512A01	INSULATOR, CONDUIT BOX X	1.000 EA
34CB3002A	CB CAST W/.88 DIA HOLE	1.000 EA
34GS1029A01	GASKET, CONDUIT BOX	1.000 EA
51XB1016A07	10-16 X 7/16 HXWSSLD SERTYB	2.000 EA
11XW1032G06	10-32 X .38, TAPTITE II, HEX WSHR SLTD U	1.000 EA
34EP3900T59	FR ENDPLATE, MACH	1.000 EA
HW5100A03	WAVY WASHER (W1543-017)	1.000 EA
34EP3903T09	PU ENDPLATE, MACH	1.000 EA
51XN1032A20	10-32 X 1 1/4 HX WS SL SR	2.000 EA
34CB4517	CB LID 4 MTG HOLES .22 DIA STAMPED, FOR	1.000 EA
34GS1031A01	GASKET, FLAT CONDUIT BOX LID (LEXIDE)	1.000 EA
51XW0832A07	8-32 X .44, TAPTITE II, HEX WSHR SLTD SE	4.000 EA
84XN2520J44	1/4-20 X 2 3/4 SOC HD CAP SCREW	4.000 EA
HW2501D01	KEY, 3/16 SQ X 0.438	1.000 EA
HW2501D13	KEY, 3/16 SQ X 1.375	1.000 EA
HA7000A01	KEY RETAINER 7/8" DIA SHAFT	1.000 EA
MG1000G27	MED CHARCOAL METALLIC GREY 400-0096	0.014 GA
MG1500Y02	WILKOPON PRIMER YELLOW	0.014 GA
HA3100A64	THRUBOLT 10-32 X 9.875	4.000 EA
33BK0043	STEARNS 3-21-85AF0-OB-WG, .625 BORE, 72L	1.000 EA
LB9000B01	WM-B1 WINYL WIRE MARKER	0.027 SH
LB9000B02	WM-B2 VINYL WIRE MARKER	0.027 SH

Parts List (continued)		
Part Number	Description	Quantity
LB1119N	WARNING LABEL	1.000 EA
LC0005F02	3PH,DV,REV,9 LEAD MTR W/STEARNS 320 BRK	1.000 EA
NP1893	NP W/O THRM, UL, CSA, CC, SELF-ADHESIVE	1.000 EA
36PA1000	PKG GRP, PRINT PK1016A06	1.000 EA
MN416A01	TAG-INSTAL-MAINT no wire (1200/bx) 5/18	1.000 EA
PK3083T	STYROFOAM PACKING CRADLE	1.000 EA
PK3088	MICROFOAM, 8"X"8 PERF. SHEETS 5,400/RL	1.000 EA

AC Induction Motor Performance Data

Record # 55596 - Typical performance - not guaranteed values

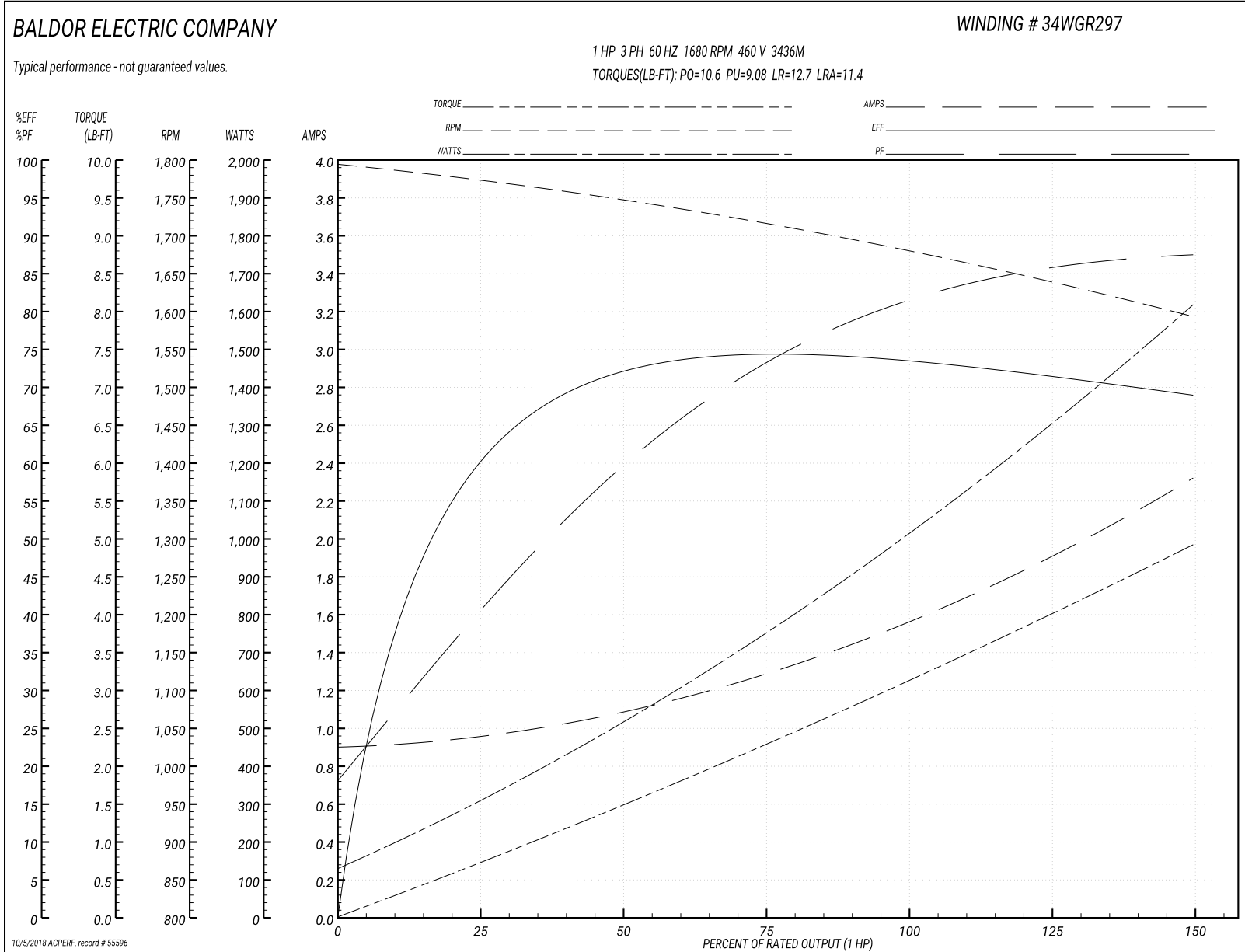
Winding: 34WGR297-R001	Type: 3436M	Enclosure: TENV
-------------------------------	--------------------	------------------------

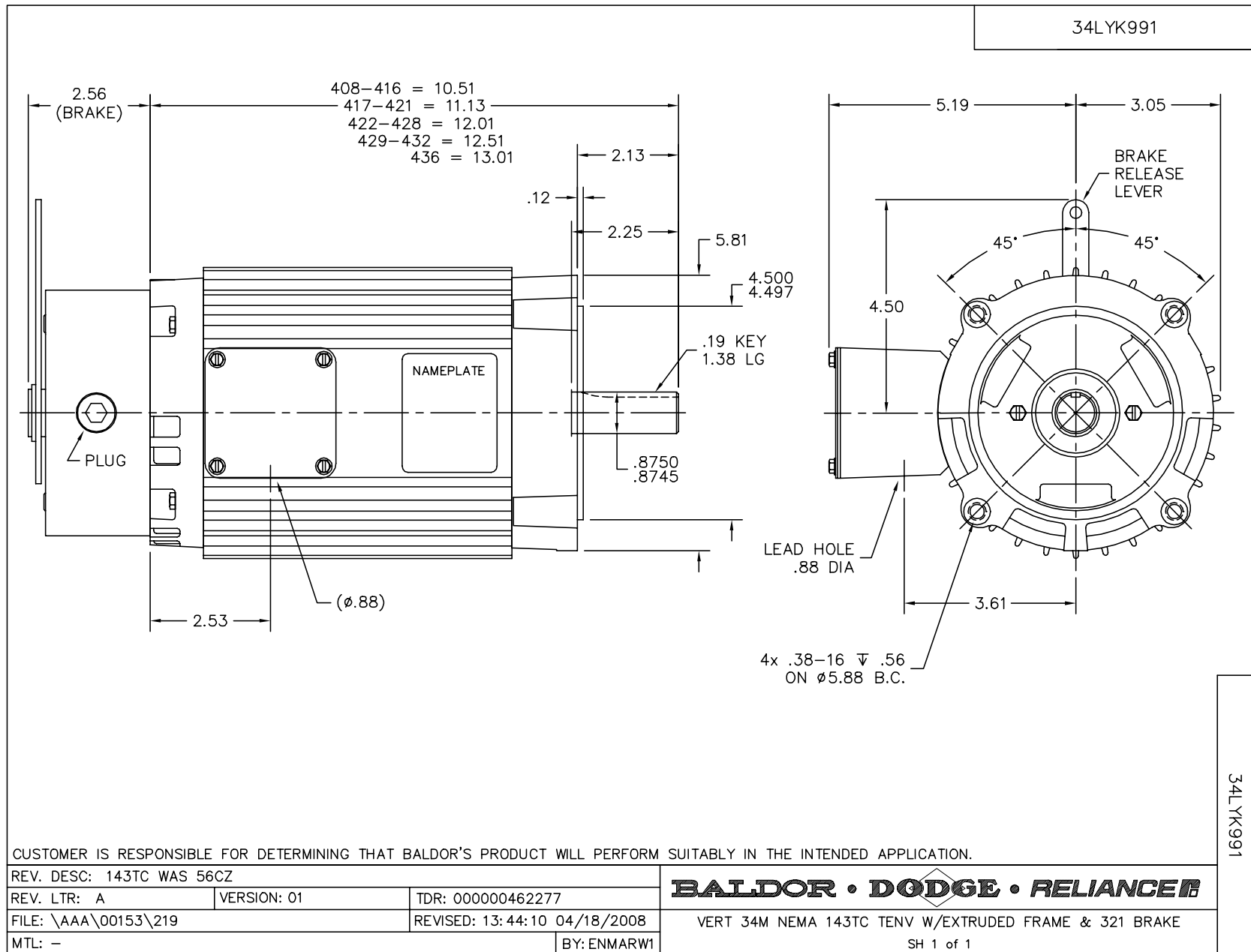
Nameplate Data				460 V, 60 Hz: High Voltage Connection	
Rated Output (HP)	1			Full Load Torque	3.15 LB-FT
Volts	230/460			Start Configuration	direct on line
Full Load Amps	3.2/1.6			Breakdown Torque	10.6 LB-FT
R.P.M.	1680			Pull-up Torque	9.08 LB-FT
Hz	60	Phase	3	Locked-rotor Torque	12.7 LB-FT
NEMA Design Code	D	KVA Code	L	Starting Current	11.4 A
Service Factor (S.F.)	1			No-load Current	0.902 A
NEMA Nom. Eff.	74	Power Factor	81	Line-line Res. @ 25°C	14.869 Ω
Rating - Duty	40C AMB-CONT			Temp. Rise @ Rated Load	100°C

Load Characteristics 460 V, 60 Hz, 1 HP

% of Rated Load	25	50	75	100	125	150
Power Factor	41	61	73	81	85	88
Efficiency	58.6	70.8	74	74.1	72.1	68.6
Speed	1771.5	1744.6	1715.7	1681.5	1642	1590.6
Line amperes	0.946	1.1	1.3	1.56	1.9	2.33

Performance Graph at 460V, 60Hz, 1.0HP Typical performance - Not guaranteed values





CD0005

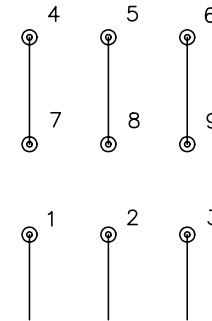


LOW VOLTAGE
(2Y)



LINE

HIGH VOLTAGE
(1Y)



LINE

NOTES:

1. INTERCHANGE ANY TWO LINE LEADS TO REVERSE ROTATION.
2. OPTIONAL THERMOSTATS ARE PROVIDED WHEN SPECIFIED.
3. ACTUAL NUMBER OF INTERNAL PARALLEL CIRCUITS MAY BE A MULTIPLE OF THOSE SHOWN ABOVE.
4. LEAD COLORS ARE OPTIONAL. LEADS MUST ALWAYS BE NUMBERED AS SHOWN.

REV. DESC: REVISE TO SHOW OPTIONAL COLORS			
REV. LTR: E	BY: JLP	REVISED: 01/19/99 10:15	TDR: 0171435
900000		FILE: AAA00005140	MDL: -
		MTL: -	

BALDOR ELECTRIC Co.

3PH, DV, 9 LEADS

CD0005