

BALDOR® • RELIANCE 

Product Information Packet

VWDM3538-5

.5HP, 1740RPM, 3PH, 60HZ, 56C, 3512M, TENV, F1

Part Detail							
Revision:	M	Status:	PRD/A	Change #:		Proprietary:	No
Type:	AC	Elec. Spec:	35WGN367	CD Diagram:	CD0006	Mfg Plant:	
Mech. Spec:	35S603	Layout:	35LYS603	Poles:	04	Created Date:	08-05-2012
Base:	N	Eff. Date:	07-17-2018	Leads:	3#18		

Specs			
Catalog Number:	VWDM3538-5	Inverter Code:	Not Inverter
Enclosure:	TENV	KVA Code:	M
Frame:	56C	Lifting Lugs:	No Lifting Lugs
Frame Material:	Steel	Locked Bearing Indicator:	Locked Bearing
Output @ Frequency:	.500 HP @ 60 HZ	Motor Lead Quantity/Wire Size:	3 @ 18 AWG
Synchronous Speed @ Frequency:	1800 RPM @ 60 HZ	Motor Lead Exit:	Ko Box
Voltage @ Frequency:	575.0 V @ 60 HZ	Motor Lead Termination:	Flying Leads
XP Class and Group:	None	Motor Type:	3512M
XP Division:	Not Applicable	Mounting Arrangement:	F1
Agency Approvals:	UR	Power Factor:	69
	CSA	Product Family:	Wash Down
Auxillary Box:	No Auxillary Box	Pulley End Bearing Type:	Sealed Bearing
Auxillary Box Lead Termination:	None	Pulley Face Code:	C-Face
Base Indicator:	No Mounting	Pulley Shaft Indicator:	Standard
Bearing Grease Type:	Polyrex EM (-20F +300F)	Rodent Screen:	None
Blower:	None	Shaft Extension Location:	Pulley End
Current @ Voltage:	.700 A @ 575.0 V	Shaft Ground Indicator:	No Shaft Grounding
Design Code:	B	Shaft Rotation:	Reversible

Drip Cover:	No Drip Cover	Shaft Slinger Indicator:	Shaft Slinger
Duty Rating:	CONT	Speed Code:	Single Speed
Electrically Isolated Bearing:	Not Electrically Isolated	Motor Standards:	NEMA
Feedback Device:	NO FEEDBACK	Starting Method:	Direct on line
Front Face Code:	Standard	Thermal Device - Bearing:	NONE (OLD)
Front Shaft Indicator:	None	Thermal Device - Winding:	None
Heater Indicator:	No Heater	Vibration Sensor Indicator:	No Vibration Sensor
Insulation Class:	F	Winding Thermal 1:	None
		Winding Thermal 2:	None

Nameplate NP1496L										
CAT.NO.	VWDM3538-5									
SPEC.	35S603N367G1									
HP	.5									
VOLTS	575									
AMP	.7									
RPM	1740									
FRAME	56C				HZ	60			PH	3
SER.F.	1.25		CODE	M	DES	B		CLASS	F	
NEMA-NOM-EFF	80		PF	69						
RATING	40C AMB-CONT									
CC									USABLE AT 208V	
DE	6205				ODE	6203				
ENCL	TENV		SN							
	SFA .8									

Parts List		
Part Number	Description	Quantity
SA248990	SA 35S603N367G1	1.000 EA
RA235856	RA 35S603N367G1	1.000 EA
NS2512A01	INSULATOR, CONDUIT BOX X	1.000 EA
35CB3008A01W	35 CB .50 NPT @ 6, MACH WHITE EPOXY	1.000 EA
35GS1040	35 MOLDED GASKET W/LIP, LEAD SEAL,	1.000 EA
51XB1016A08	10-16X 1/2HXWSSLD SERTYB	2.000 EA
11XW1032G06	10-32 X .38, TAPTITE II, HEX WSHR SLTD U	1.000 EA
35EP3122D00W	MASTER ODE,203 BRG,.125NPT DRNS(WHITE)	1.000 EA
HW4072A01	BLACK DRAIN PLUG FOR .125 NPT	3.000 EA
HW5100A03	WAVY WASHER (W1543-017)	1.000 EA
35EP3307E00W	MASTER DE,205 BRG,1.623SH,.125NPT DRNS,C	1.000 EA
HW4072A01	BLACK DRAIN PLUG FOR .125 NPT	3.000 EA
HW4600B49	SEAL 0.938 X 1.624 X 0.250 SINGLE LIP DB	1.000 EA
12XN1032S20	10-32 X 1-1/4 HEX M.S. , STAINLESS STEEL	2.000 EA
35CB4522	35 LIPPED CB LID PRIMED	1.000 EA
35GS1030A02	35 GS FOR CB LID - WHITE NEOPRENE	1.000 EA
59XW0832S07	TAPTITE II,HEX WSHR UNSLTD SER,410 S.S.,	4.000 EA
HW4600B32SP	V-RING SLINGER 1.000 X 1.540 X .24 VITON	1.000 EA
HW2502D13	SS KEY, 3/16 SQ X 1.375	1.000 EA
HA7000A04	KEY RETAINER 0.625 DIA SHAFTS	1.000 EA
MJ5001A27	32220KN GRAY SEALER *MIN BUY 4 QTS=1GAL	0.001 QT
LB1164	LABEL,WARNING AND DRAIN	1.000 EA
85XU0407S04	4X1/4 U DRIVE PIN STAINLESS	2.000 EA
HA5027A02	HA4054 T-DRAIN X2 BAGGED WITH LABEL	1.000 EA

Parts List (continued)		
Part Number	Description	Quantity
MJ1000A02	GREASE, POLYREX EM EXXON (USe 4824-15A)	0.050 LB
MG1025Z02	ACTIVATOR WILKOFAS 060.02HF	0.010 GA
MG1025W01	WILKOFAS, 781.01, SIGNAL WHITE #9003	0.017 GA
HA3100S38	THRUBOLT 10-32X 7.5 SS	4.000 EA
LC0006	CONNECTION LABEL	1.000 EA
NP1496L	SS WD UL CSA CC	1.000 EA
35PA1066	PKG GRP, PRINT PK1008A06	1.000 EA
PK3082	STYROFOAM CRADLE	1.000 EA
MN416A01	TAG-INSTAL-MAINT no wire (1200/bx) 5/18	1.000 EA
PE-0000002	ZRTG PE ASSEMBLY	1.000 EA
FE-0000001	ZRTG FE ASSEMBLY	1.000 EA

AC Induction Motor Performance Data

Record # 39327 - Typical performance - not guaranteed values

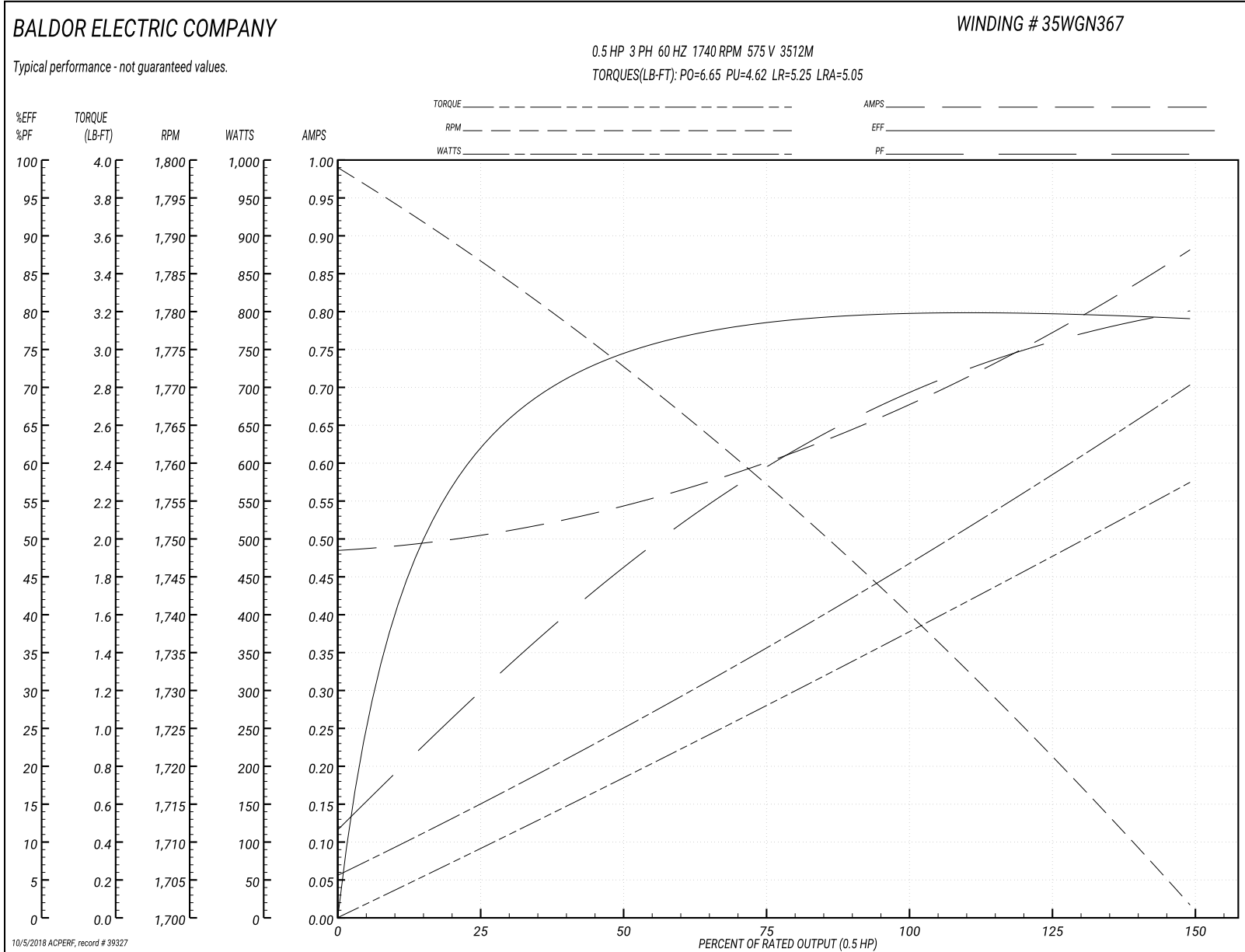
Winding: 35WGN367-R003	Type: 3512M	Enclosure: TENV
-------------------------------	--------------------	------------------------

Nameplate Data				575 V, 60 Hz: Single Voltage Motor	
Rated Output (HP)	.5			Full Load Torque	1.49 LB-FT
Volts	575			Start Configuration	direct on line
Full Load Amps	.7			Breakdown Torque	6.65 LB-FT
R.P.M.	1740			Pull-up Torque	4.62 LB-FT
Hz	60	Phase	3	Locked-rotor Torque	5.25 LB-FT
NEMA Design Code	B	KVA Code	M	Starting Current	5.05 A
Service Factor (S.F.)	1.25			No-load Current	0.487 A
NEMA Nom. Eff.	80	Power Factor	69	Line-line Res. @ 25°C	53.6 Ω
Rating - Duty	40C AMB-CONT			Temp. Rise @ Rated Load	54°C
S.F. Amps	.8			Temp. Rise @ S.F. Load	65°C
				Locked-rotor Power Factor	74
				Rotor inertia	0.0709 LB-FT ²

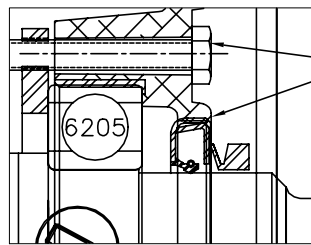
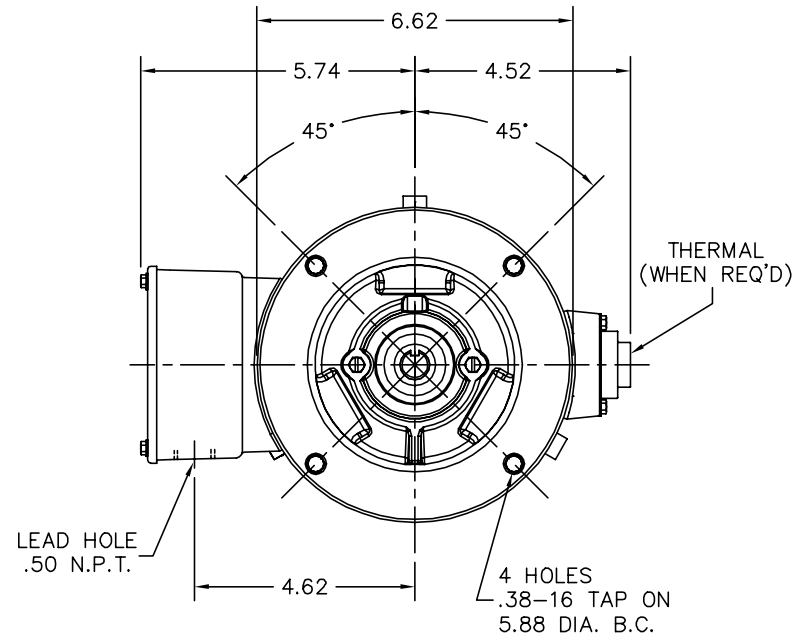
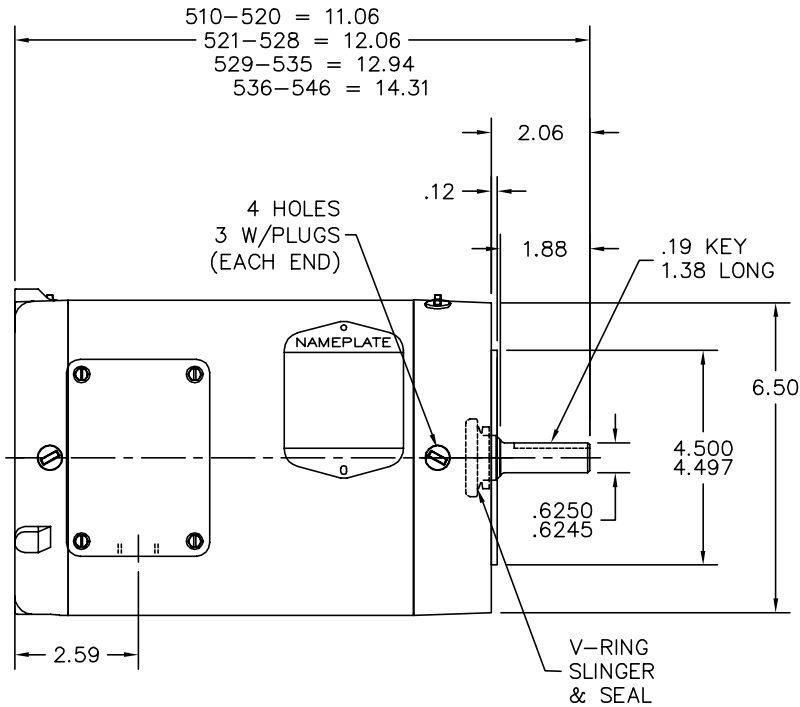
Load Characteristics 575 V, 60 Hz, 0.5 HP

% of Rated Load	25	50	75	100	125	150	S.F.
Power Factor	28	45	58	69	75	80	75
Efficiency	59.5	73.1	78.5	79.8	80.1	78.9	80.1
Speed	1788	1774	1759	1741	1722	1702	1722
Line amperes	0.5	0.536	0.596	0.676	0.766	0.88	0.766

Performance Graph at 575V, 60Hz, 0.5HP Typical performance - Not guaranteed values



35LYS603



PULLEY END DETAIL

APPLY COAT OF SEALER UNDER SCREW HEADS AND TO SEAL HOUSING BEFORE PRESSING IN SEAL

CUSTOMER IS RESPONSIBLE FOR DETERMINING THAT BALDOR'S PRODUCT WILL PERFORM SUITABLY IN THE INTENDED APPLICATION.

REV. DESC: UPDATE ENDPLATES AND NOTES		
REV. LTR: F	VERSION: 06	TDR: 000001078000
FILE: \AAA\00092\985	REVISED: 02:58:10 07/12/2018	BY: USJOBUR22
MTL: -	⊙ ⊐	

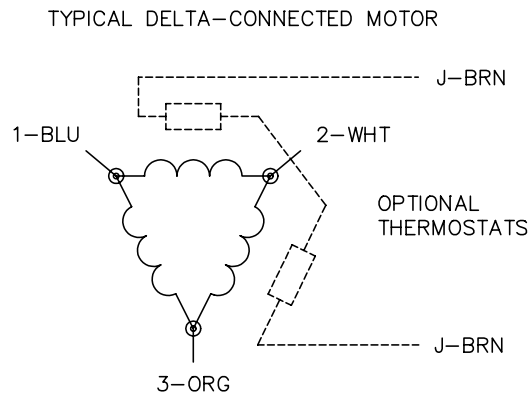
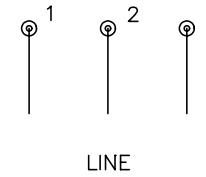
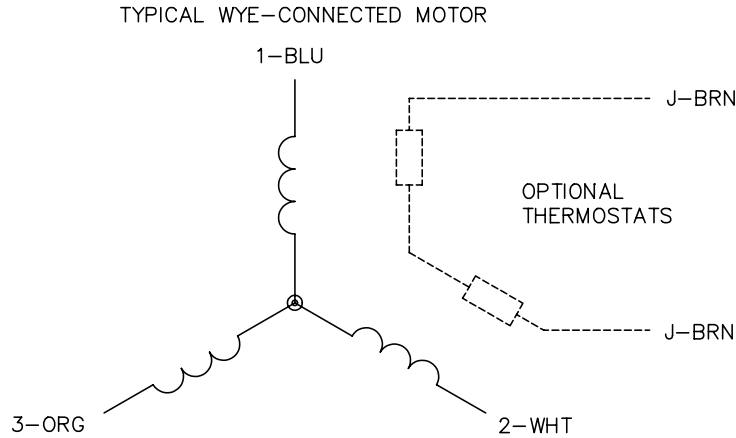
BALDOR - RELIANCE®

STD VERT 56C TENV 35M WD (S/P #9)

SH 1 of 1

35LYS603

CD0006



NOTES:

1. THREE LEAD MOTOR MAY BE EITHER WYE CONNECTED OR DELTA CONNECTED.
2. INTERCHANGE ANY TWO LINE LEADS TO REVERSE ROTATION.
3. OPTIONAL THERMOSTATS ARE PROVIDED WHEN SPECIFIED.
4. ACTUAL NUMBER OF INTERNAL PARALLEL CIRCUITS MAY VARY.
5. LEAD COLORS ARE OPTIONAL. LEADS MUST BE NUMBERED AS SHOWN.

REV. DESC: REVISE TO SHOW OPTIONAL COLORS			
REV. LTR: D	BY: JLP	REVISED: 01/21/99 4:02	TDR: 0171435
9000D		FILE: AAA00005141	MDL: -
		MTL: -	

BALDOR ELECTRIC Co.

3PH, SV, 3 LEADS, WYE OR DELTA CONNECTED

CD0006