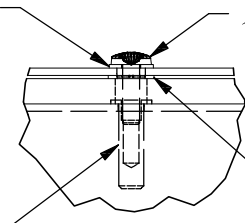
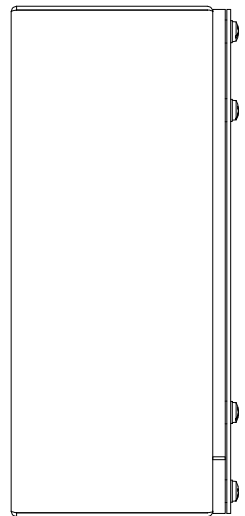
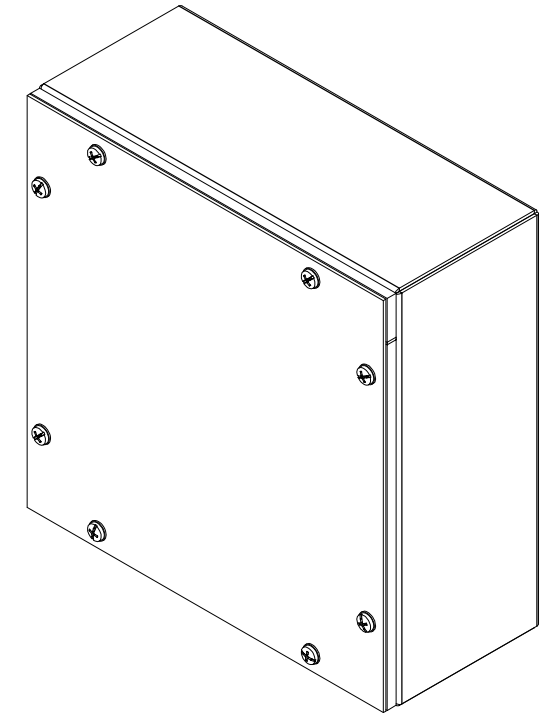


TOP VIEW

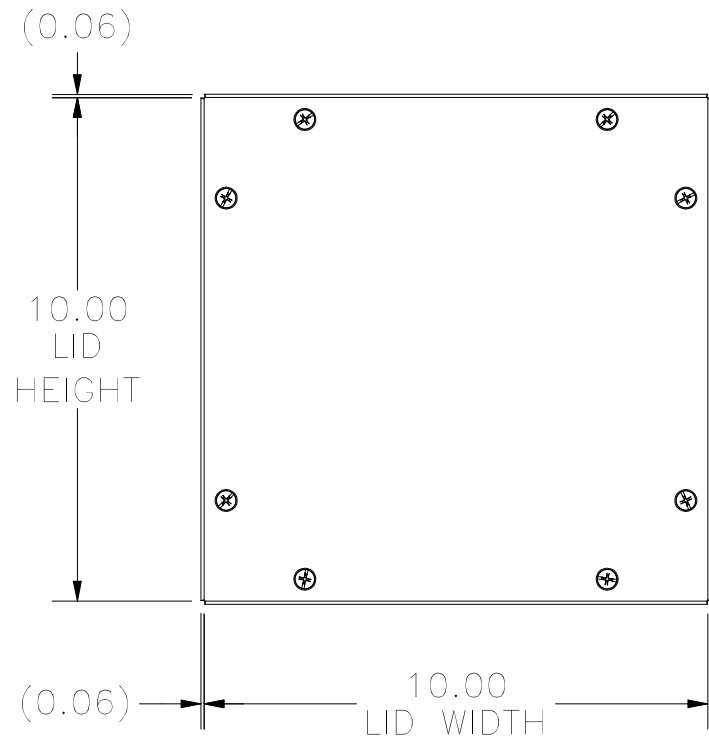
WASHER, NYLON, FLAT, 3/16 X 7/16  
 SCREW, S.S., CAPTIVE 10-32 X 19/32  
 NUT, RIV, C. END. 10-32 X 0.80-.130G  
 RETAINING WASHER, NYLON, .453 O.D.



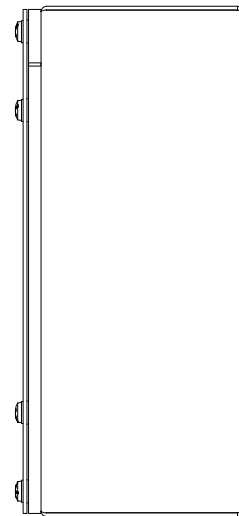
DETAIL D  
(8 PL.)



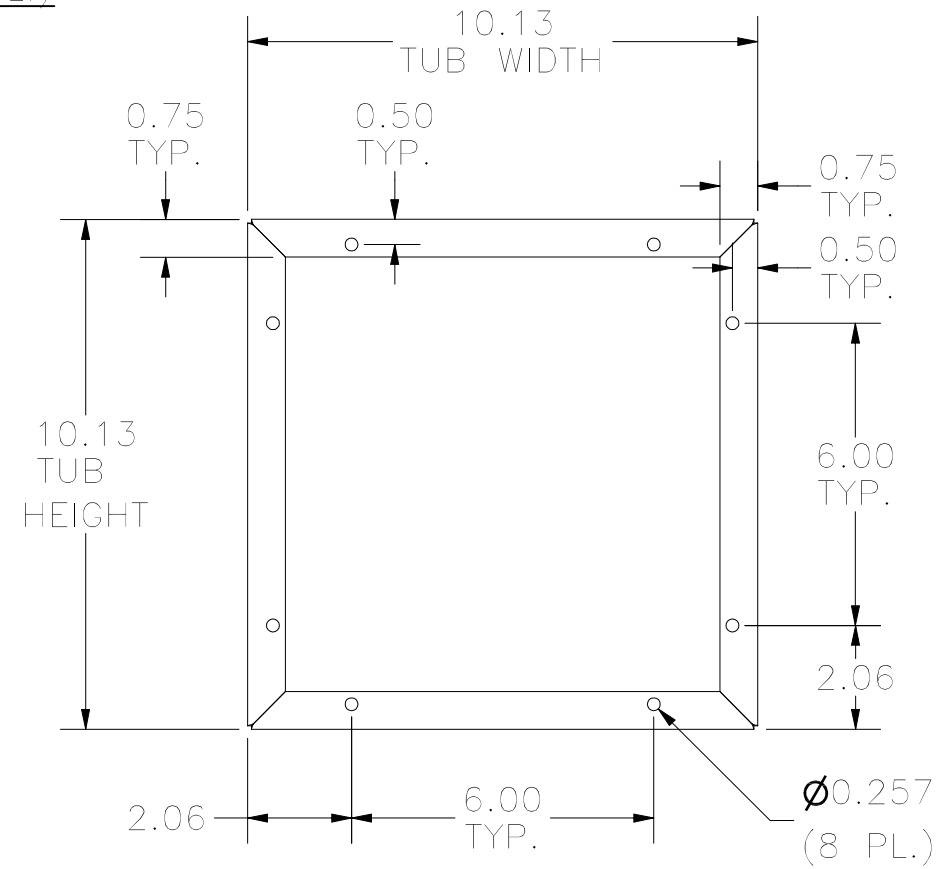
LEFT SIDE VIEW



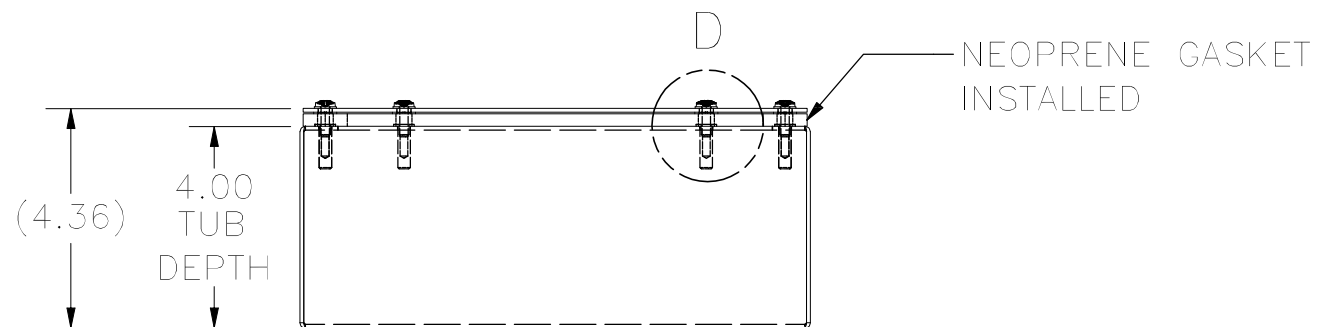
FRONT VIEW



RIGHT SIDE VIEW



FRONT VIEW TUB



BOTTOM VIEW

PART#: WA101004GSC  
 (DATA SUBJECT TO CHANGE WITHOUT NOTICE)

THIS DRAWING IS PROPERTY OF HUBBELL INC. WIEGMANN  
 ALL INFORMATION IS PROPRIETARY AND NOT TO BE DUPLICATED