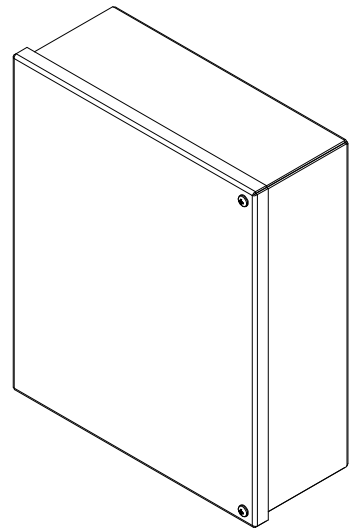
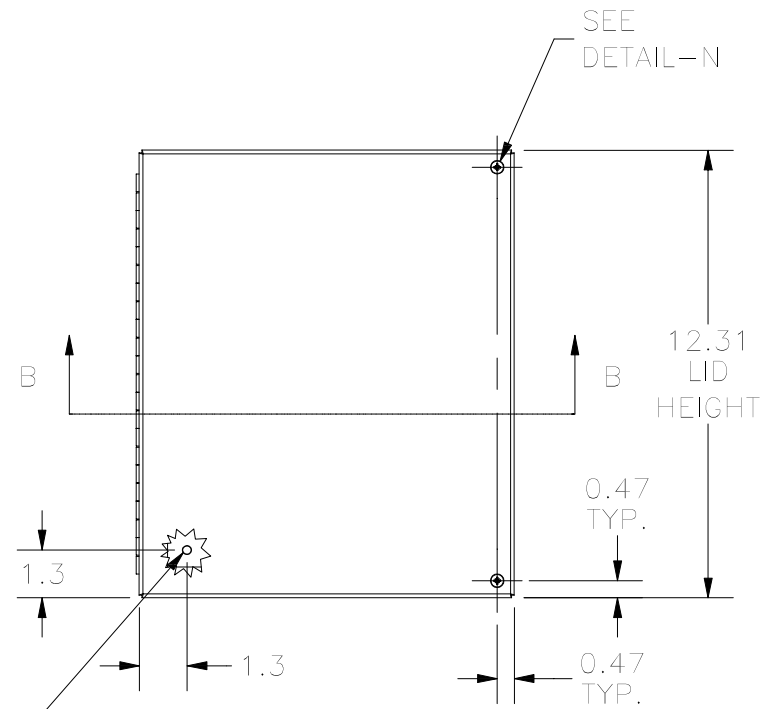


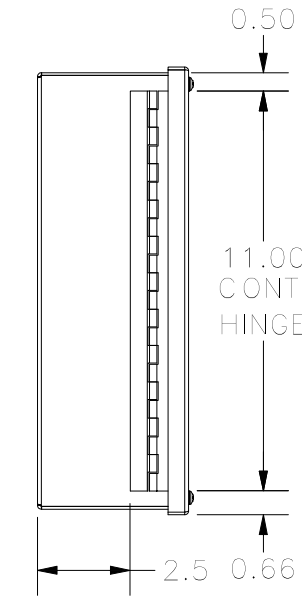
DETAIL N  
(2 PL.)



TOP VIEW

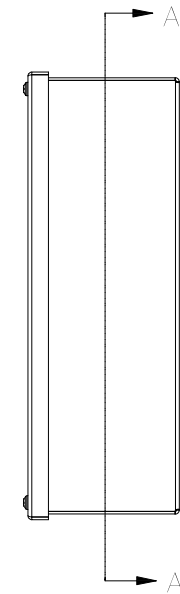


FRONT VIEW

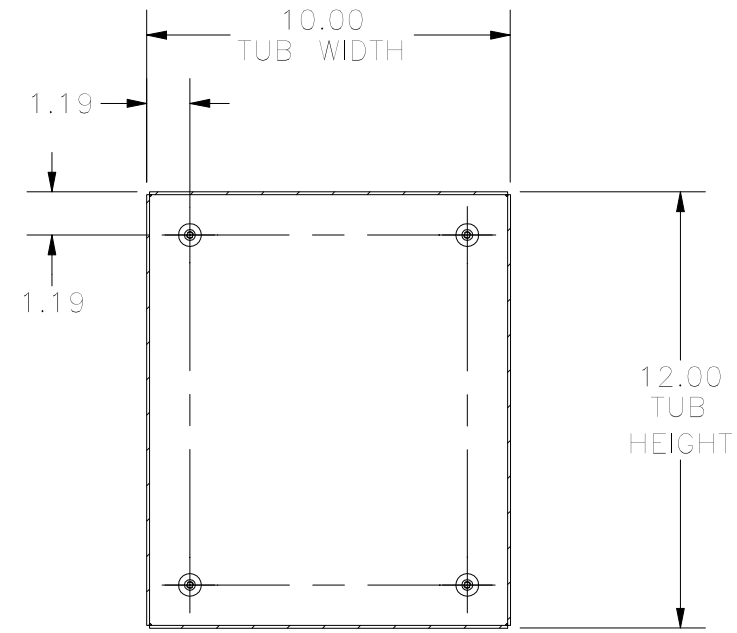


LEFT SIDE VIEW

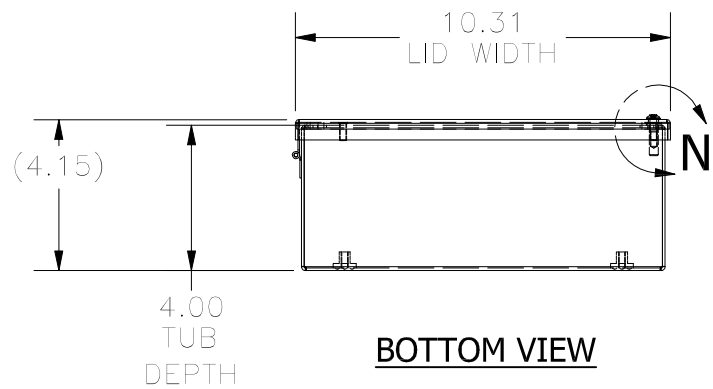
10-32 X 1/2  
COPPER  
GROUND STUD



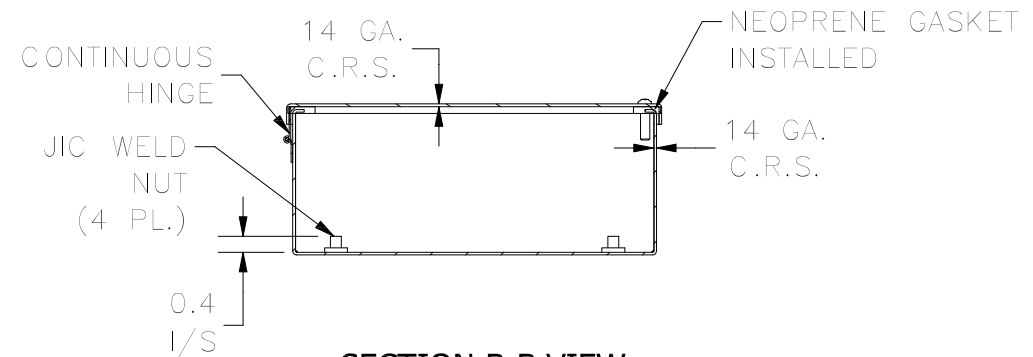
RIGHT SIDE VIEW



SECTION A-A VIEW  
(INSIDE BACK OF ENCL.)



BOTTOM VIEW



SECTION B-B VIEW  
(INSIDE TOP OF ENCL.)

PART#: WA121004GIE  
(DATA SUBJECT TO CHANGE WITHOUT NOTICE)

THIS DRAWING IS PROPERTY OF HUBBELL INC. WIEGMANN  
ALL INFORMATION IS PROPRIETARY AND NOT TO BE DUPLICATED