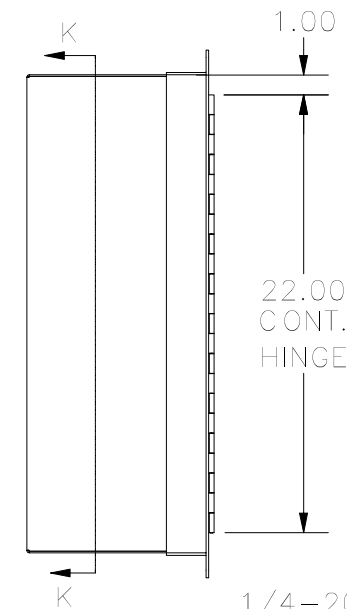
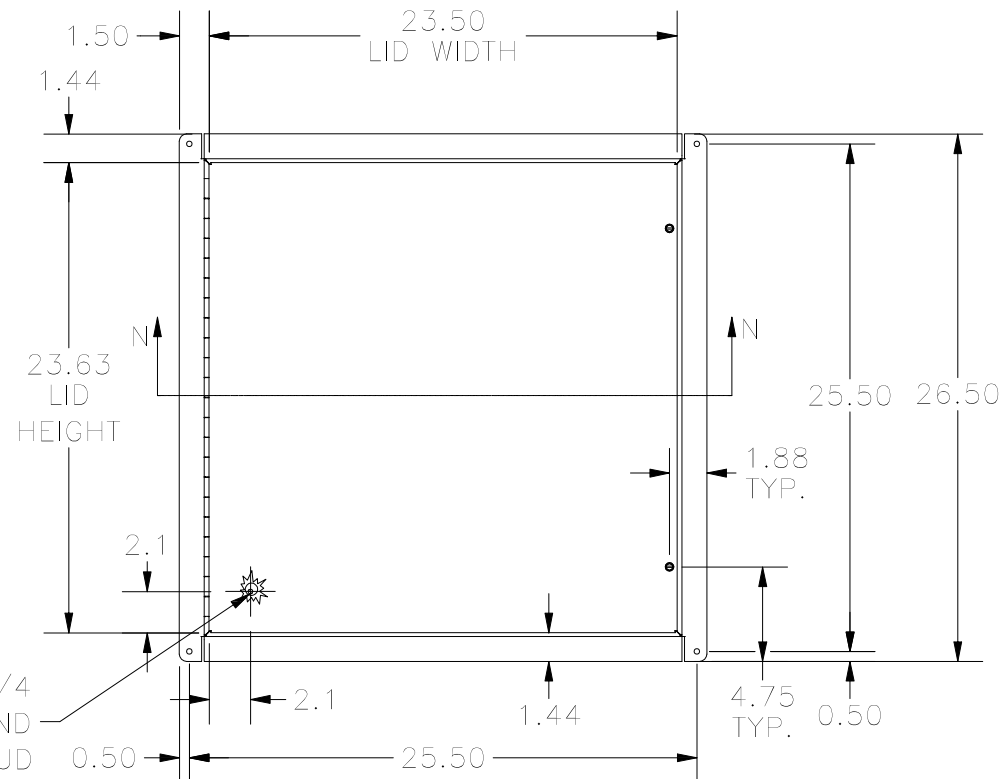


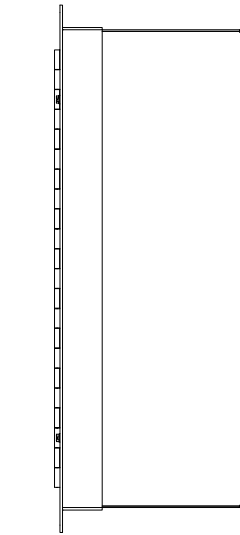
**TOP VIEW**



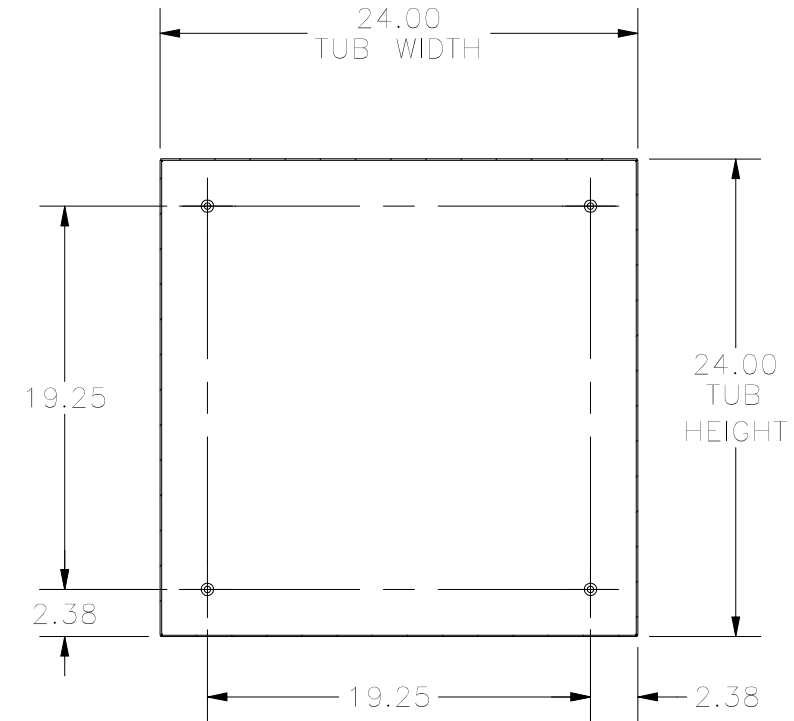
**LEFT SIDE VIEW**



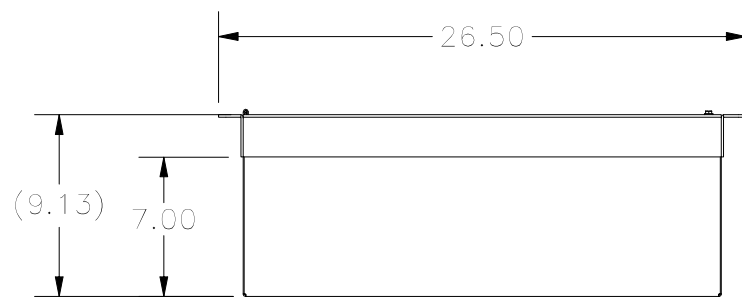
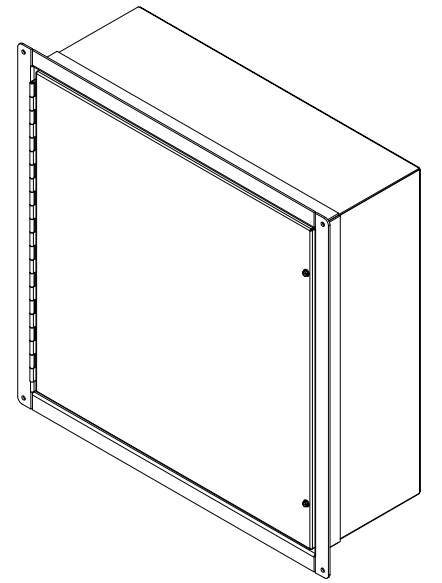
**FRONT VIEW**



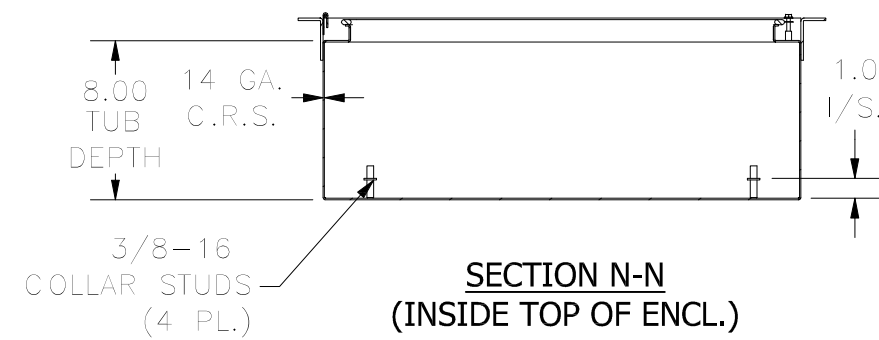
**RIGHT SIDE VIEW**



**SECTION K-K  
(INSIDE BACK OF ENCL.)**



**BOTTOM VIEW**



**SECTION N-N  
(INSIDE TOP OF ENCL.)**

PART#: WA242408FM  
(DATA SUBJECT TO CHANGE WITHOUT NOTICE)

THIS DRAWING IS PROPERTY OF HUBBELL INC. WIEGMANN  
ALL INFORMATION IS PROPRIETARY AND NOT TO BE DUPLICATED