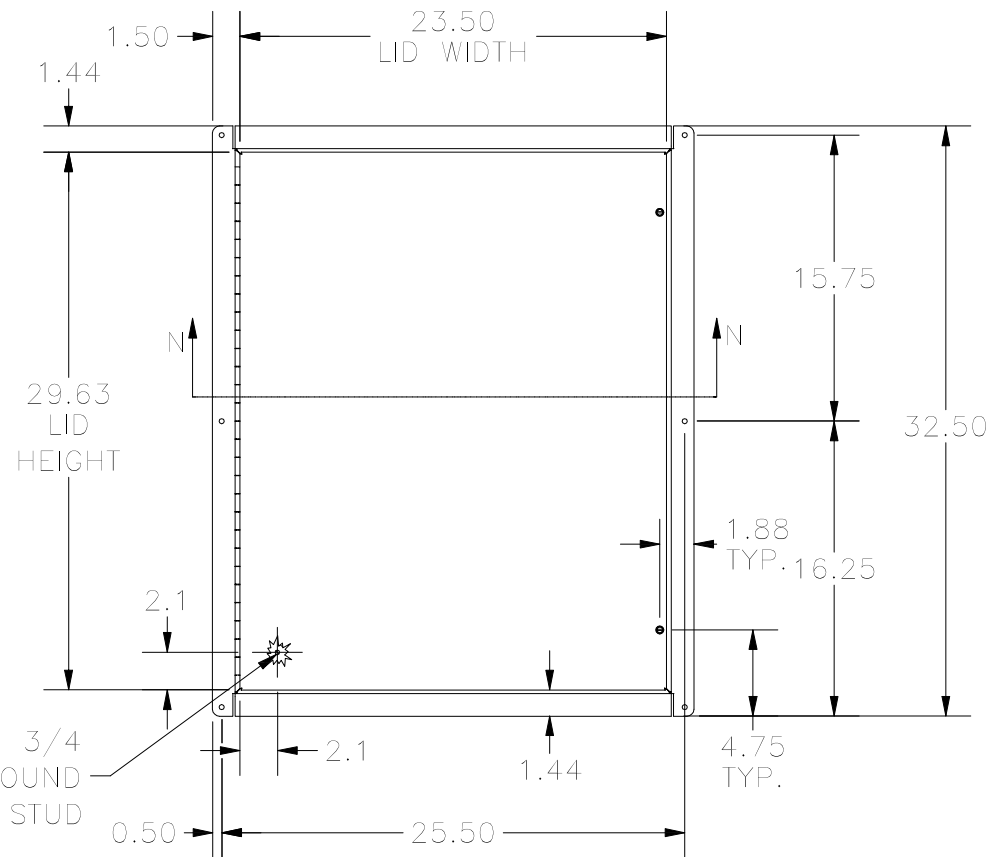
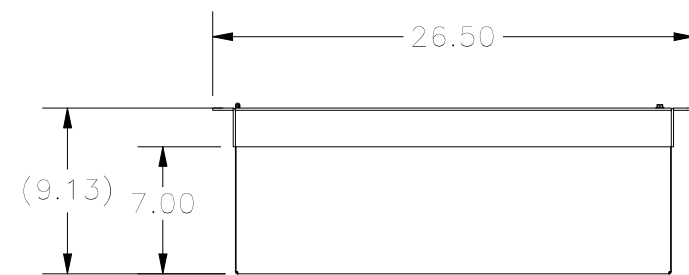


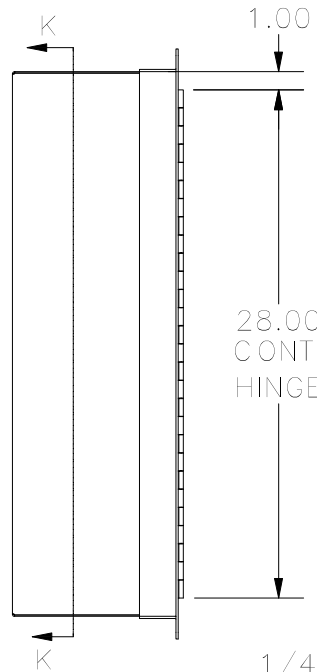
TOP VIEW



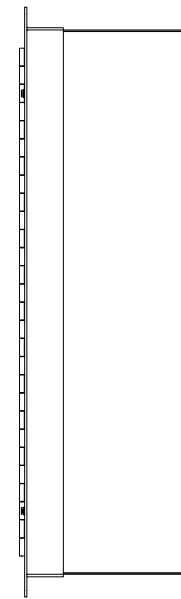
FRONT VIEW



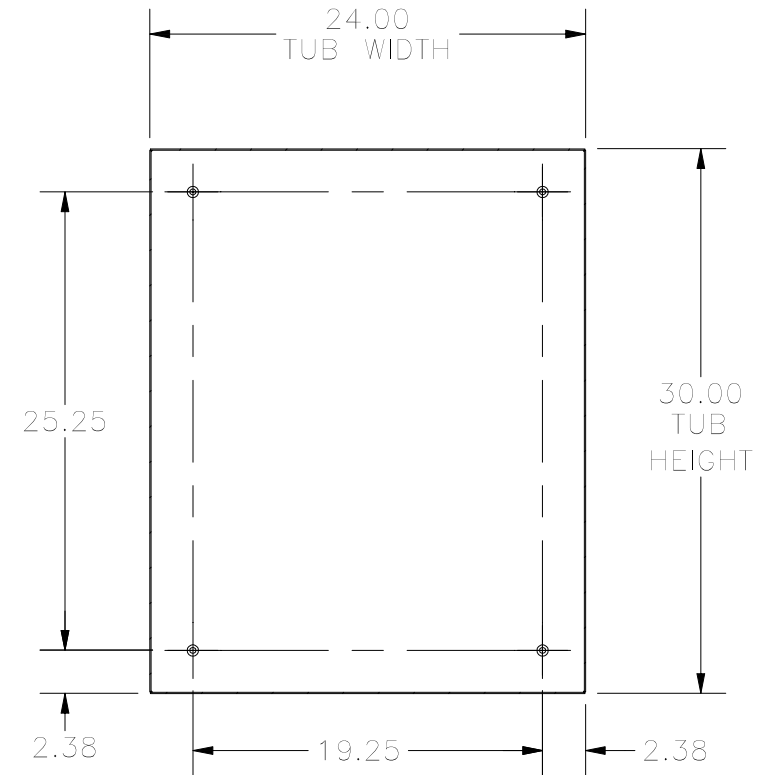
BOTTOM VIEW



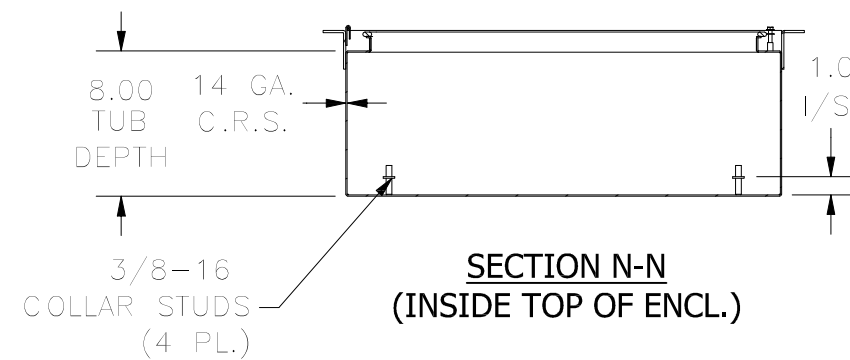
LEFT SIDE VIEW



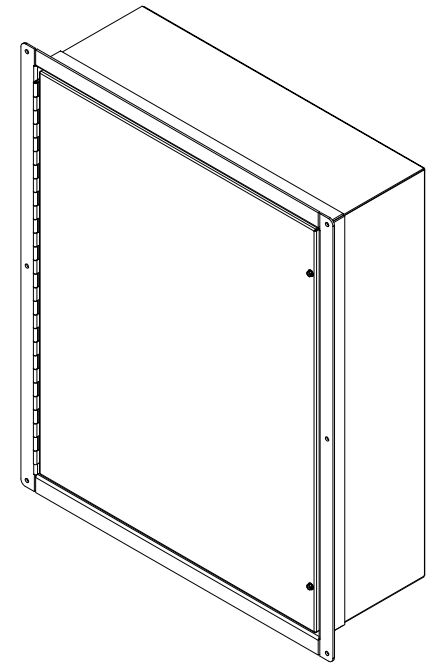
RIGHT SIDE VIEW



**SECTION K-K
(INSIDE BACK OF ENCL.)**



**SECTION N-N
(INSIDE TOP OF ENCL.)**



PART#: WA302408FM
(DATA SUBJECT TO CHANGE WITHOUT NOTICE)

THIS DRAWING IS PROPERTY OF HUBBELL INC. WIEGMANN
ALL INFORMATION IS PROPRIETARY AND NOT TO BE DUPLICATED