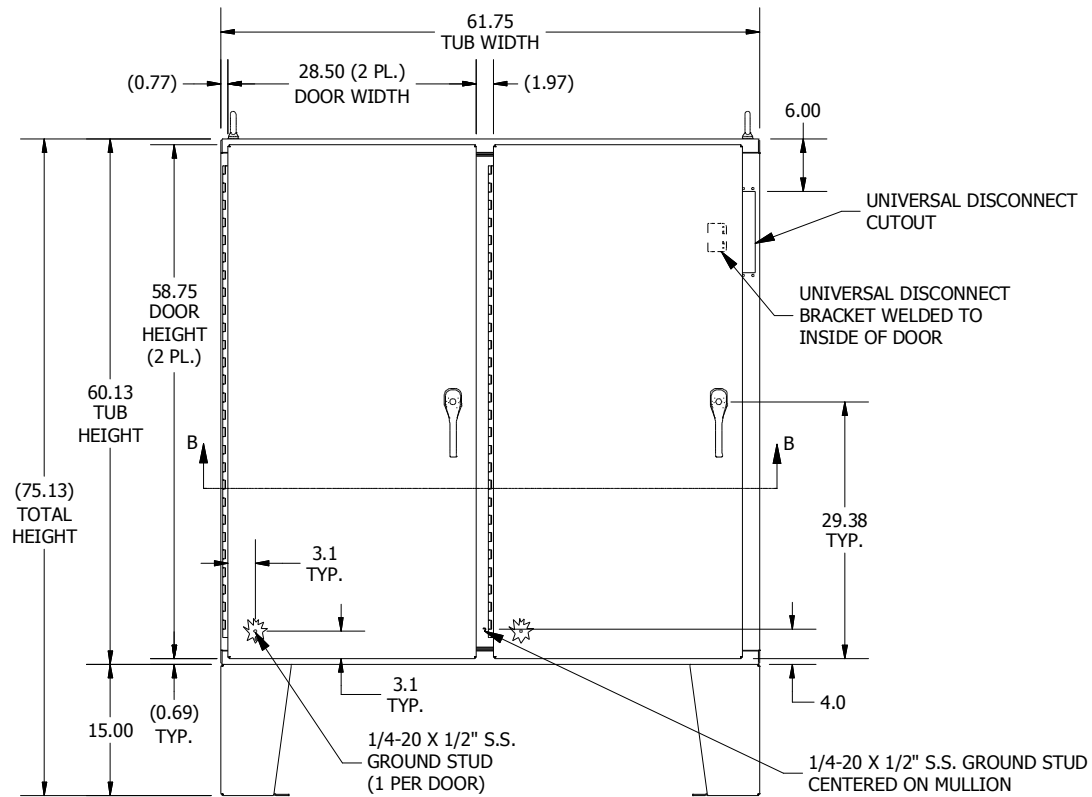
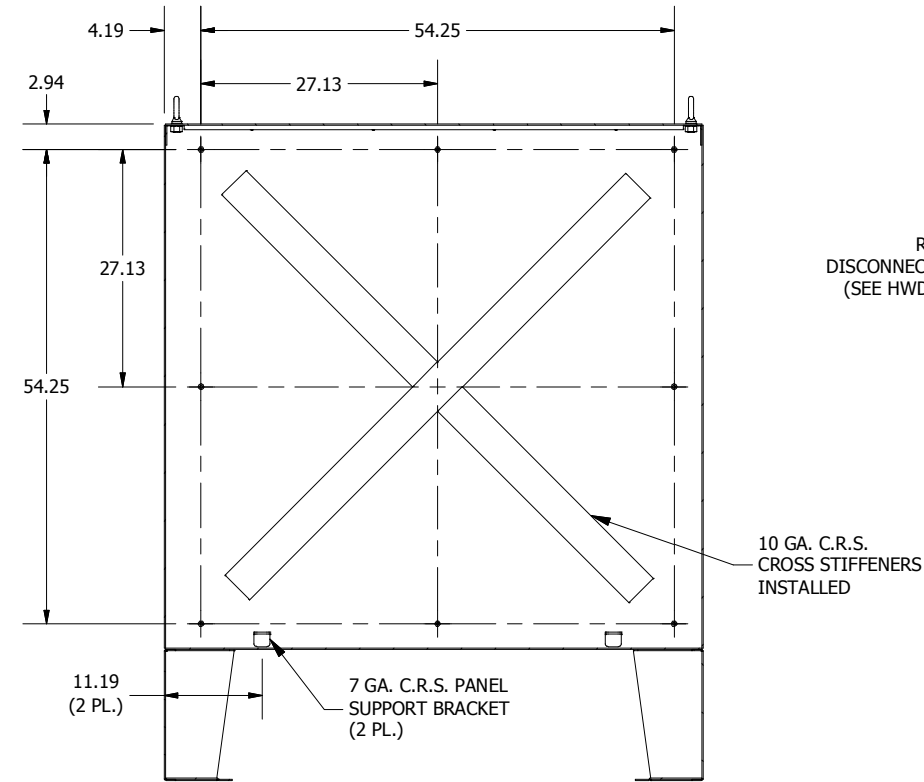


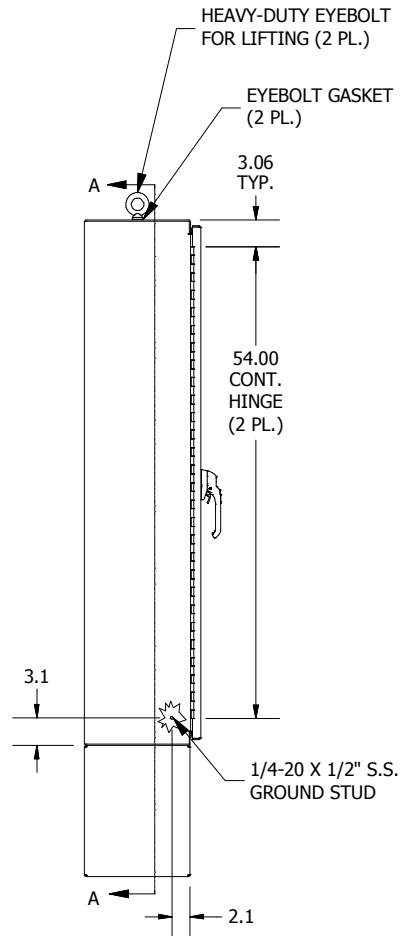
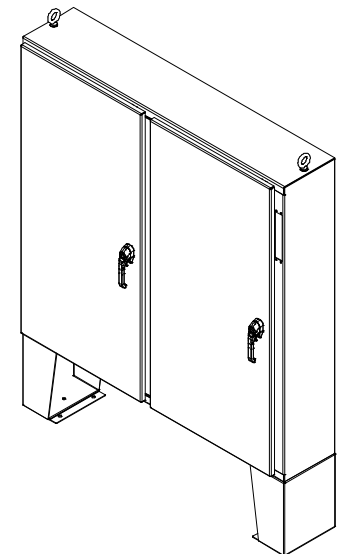
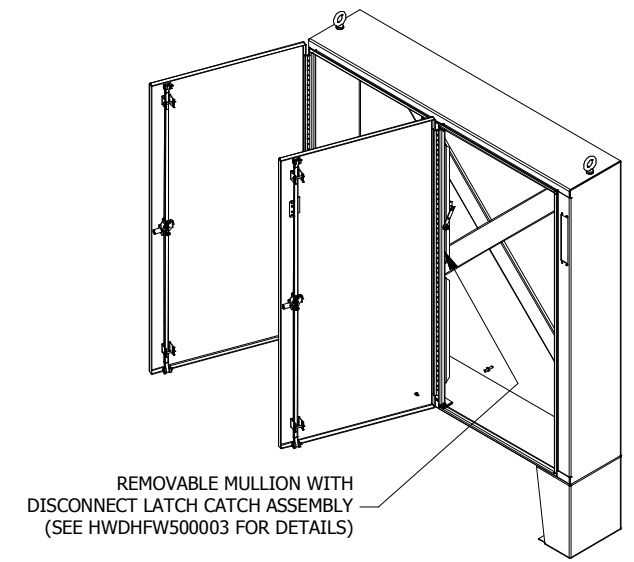
**TOP VIEW**



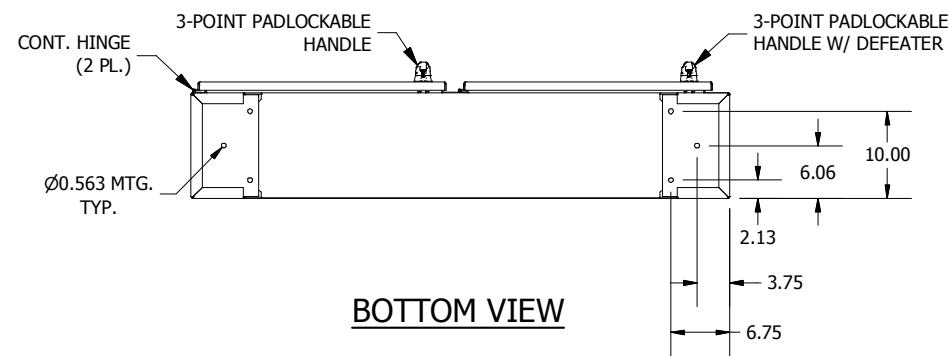
**FRONT VIEW**



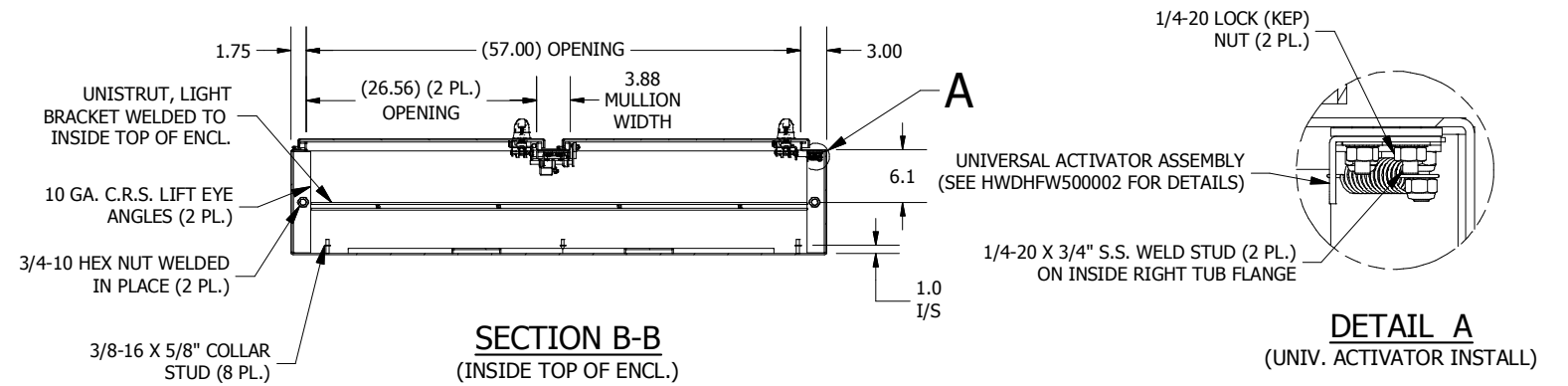
**SECTION A-A  
(INSIDE BACK OF ENCL.)**



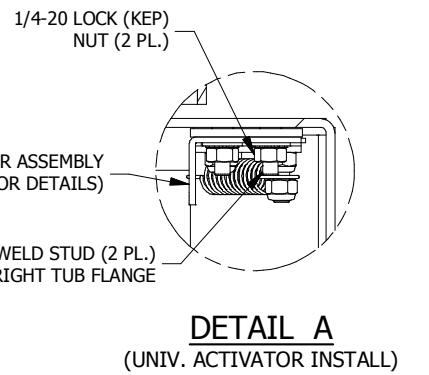
**LEFT SIDE VIEW**



**BOTTOM VIEW**



**SECTION B-B  
(INSIDE TOP OF ENCL.)**



PART#: WA60X6112U  
(DATA SUBJECT TO CHANGE WITHOUT NOTICE)

THIS DRAWING IS PROPERTY OF HUBBELL INC. WIEGMANN  
ALL INFORMATION IS PROPRIETARY AND NOT TO BE DUPLICATED