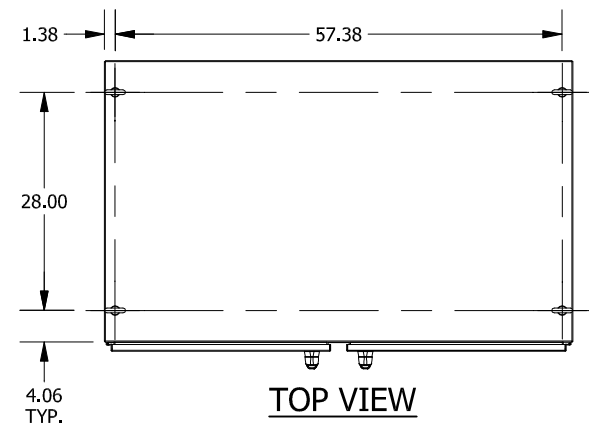
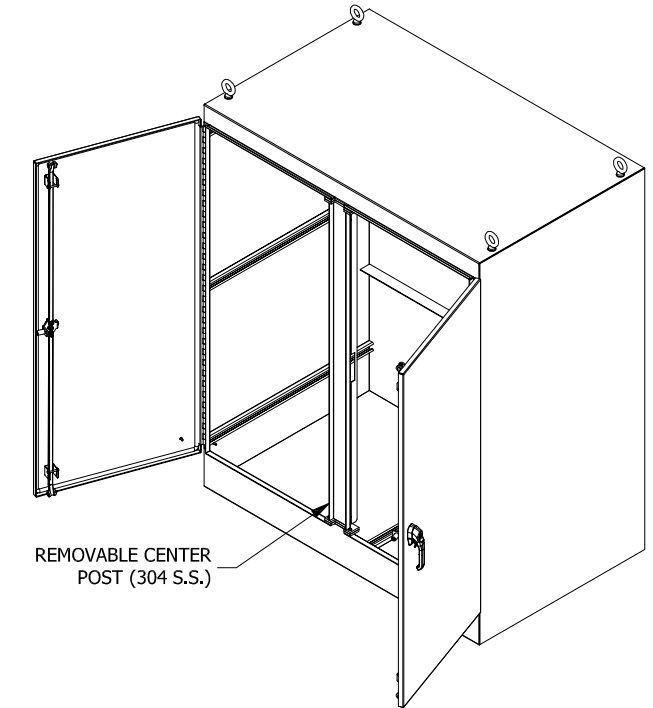


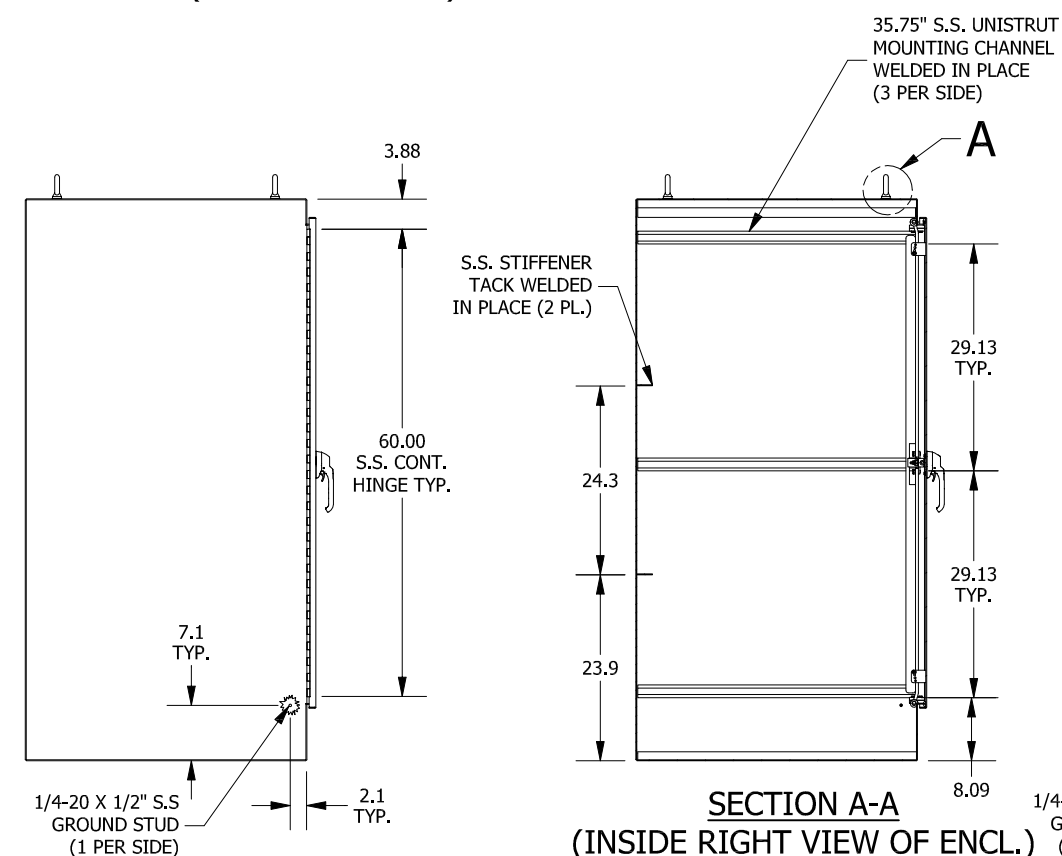
**DETAIL A (4 PL.)  
(LIFT-EYE DETAIL)**



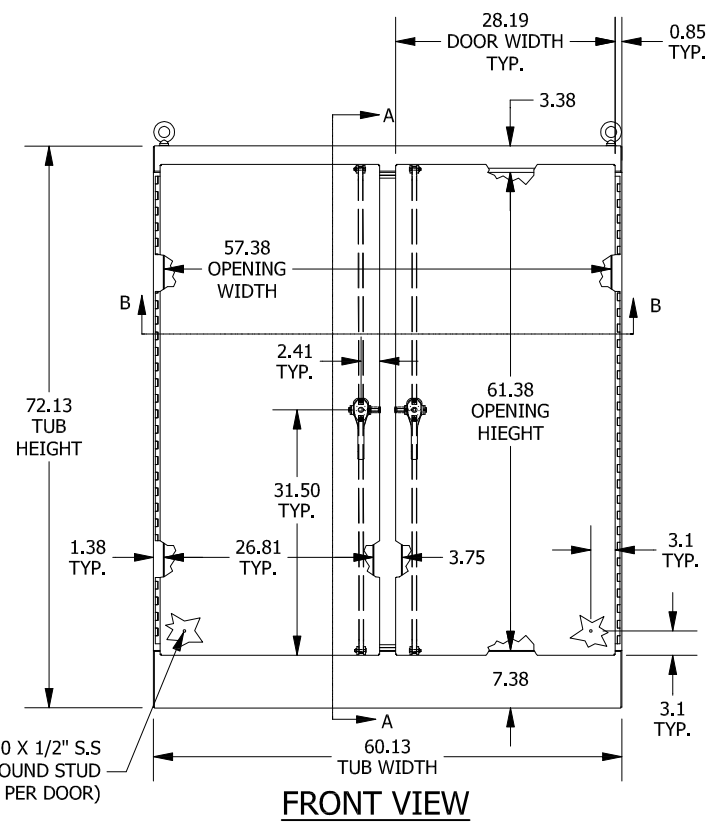
**TOP VIEW**



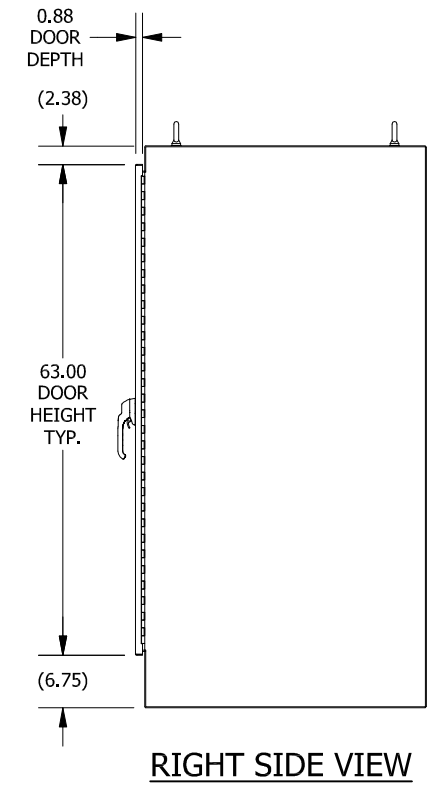
REMOVABLE CENTER POST (304 S.S.)



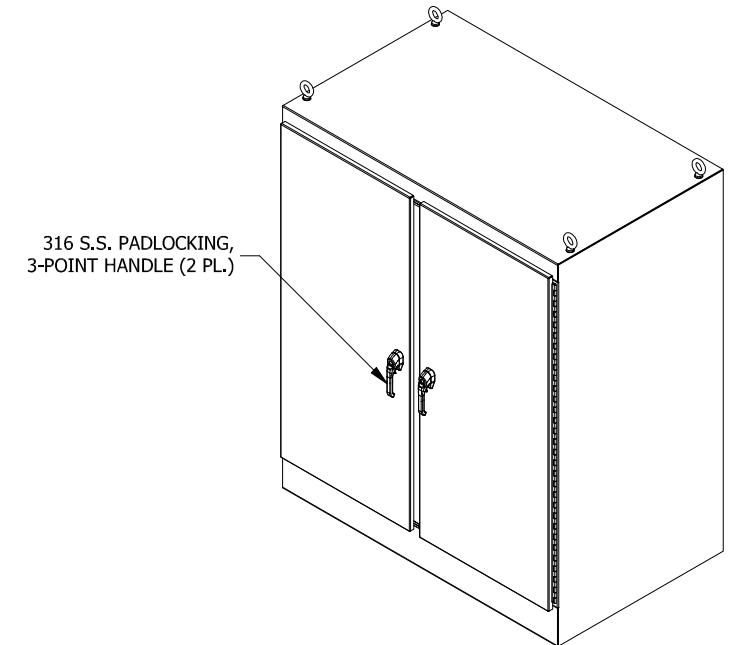
**SECTION A-A  
(INSIDE RIGHT VIEW OF ENCL.)**



**FRONT VIEW**

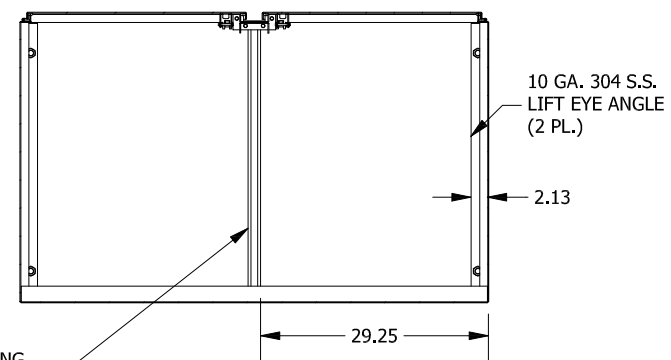


**RIGHT SIDE VIEW**

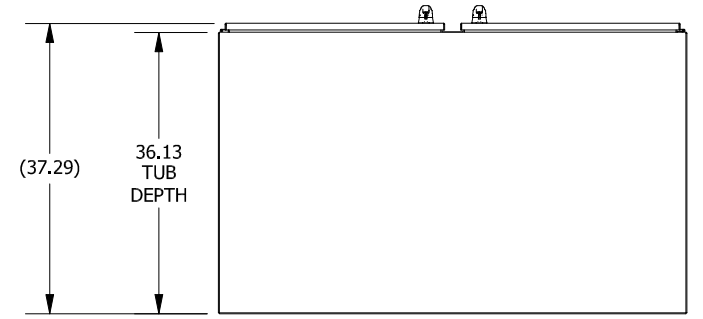


316 S.S. PADLOCKING, 3-POINT HANDLE (2 PL.)

**LEFT SIDE VIEW**



**SECTION B-B  
(INSIDE TOP OF ENCL.)**



**BOTTOM VIEW**

PART#: WA726036SSFSDN43PT  
(DATA SUBJECT TO CHANGE WITHOUT NOTICE)

THIS DRAWING IS PROPERTY OF HUBBELL INC. WIEGMANN  
ALL INFORMATION IS PROPRIETARY AND NOT TO BE DUPLICATED