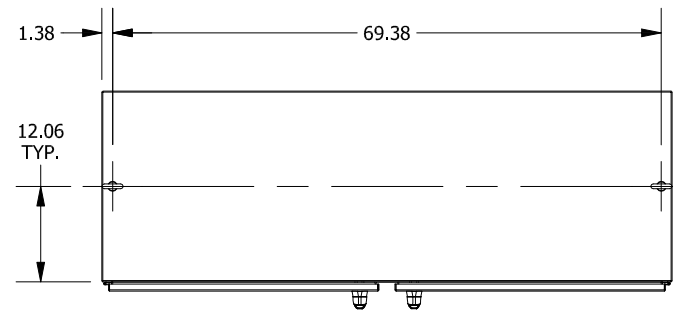
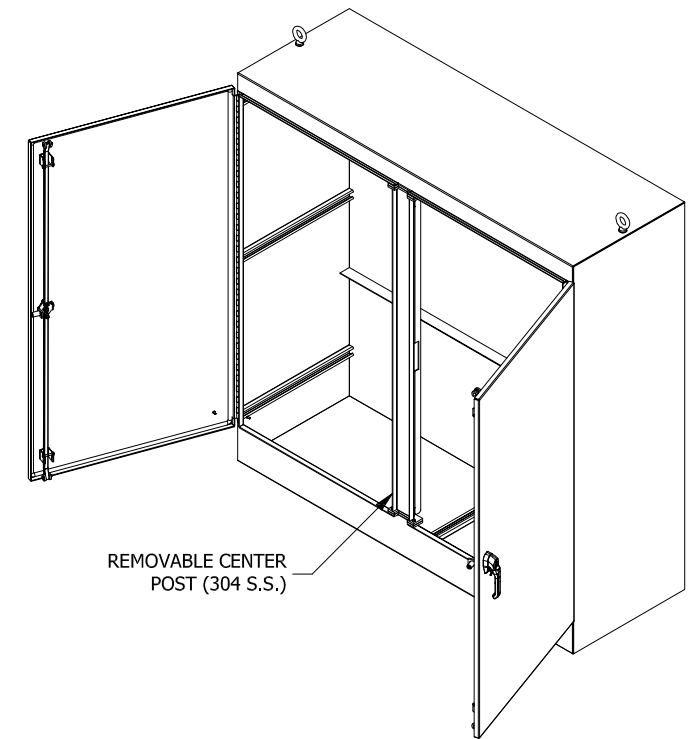


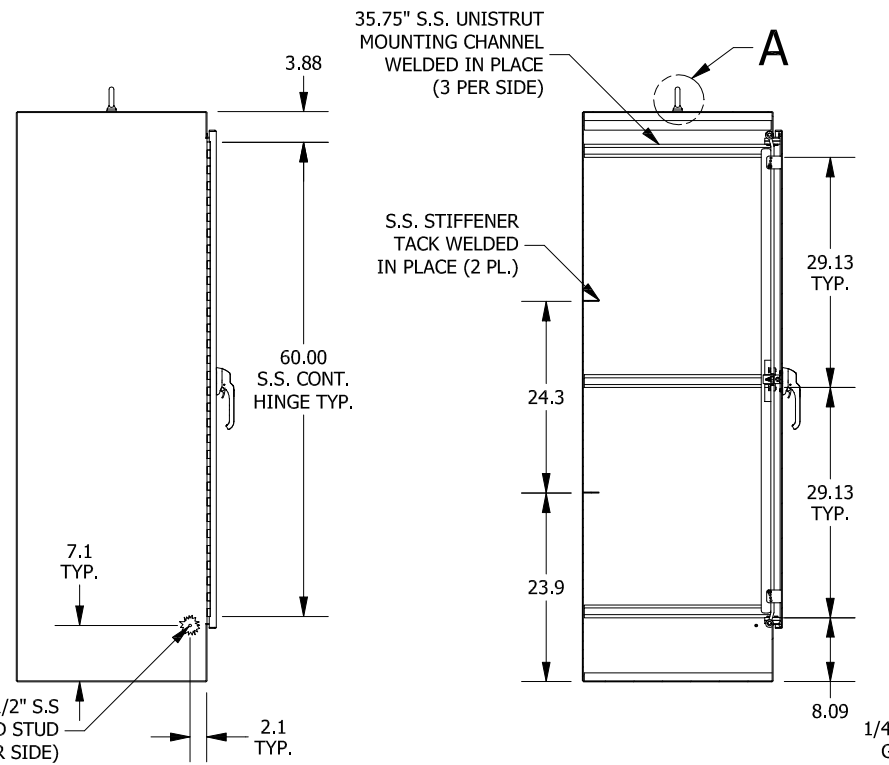
**DETAIL A (2 PL.)
(LIFT-EYE DETAIL)**



TOP VIEW

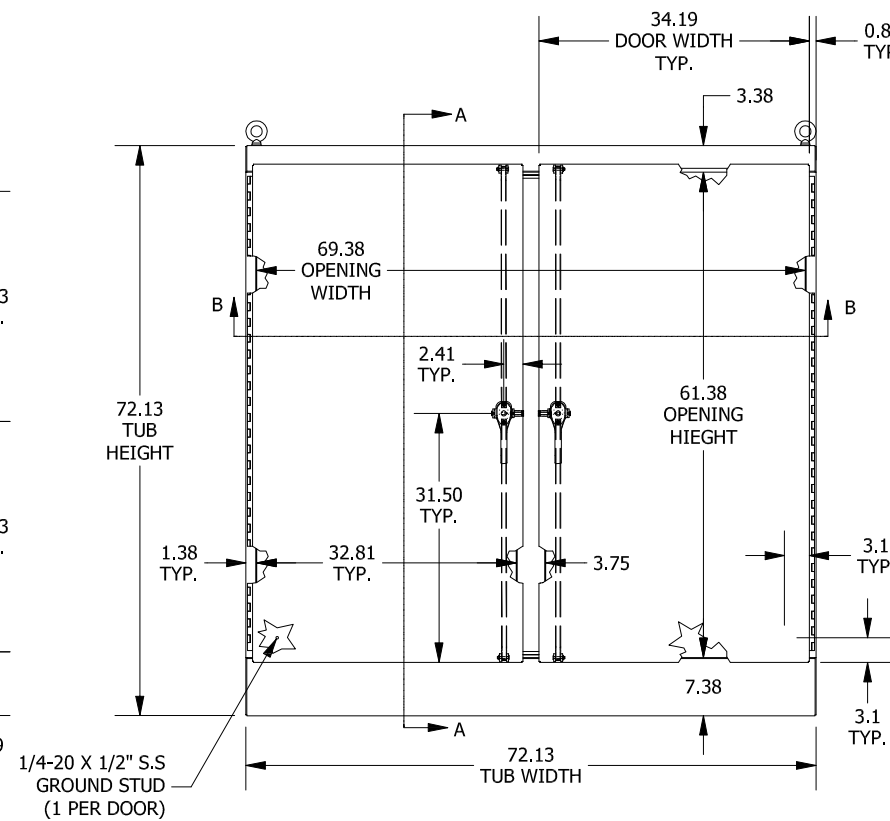


REMOVABLE CENTER
POST (304 S.S.)

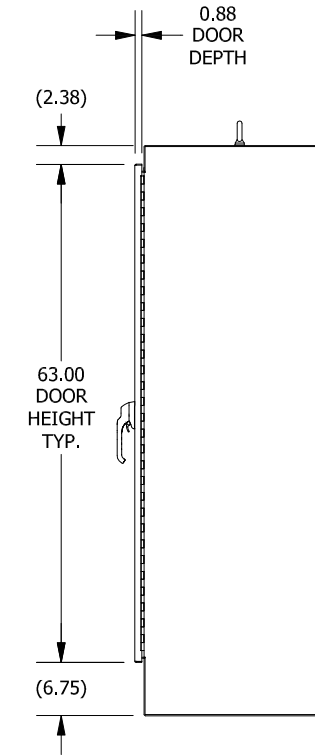


LEFT SIDE VIEW

**SECTION A-A
(INSIDE RIGHT VIEW OF ENCL.)**

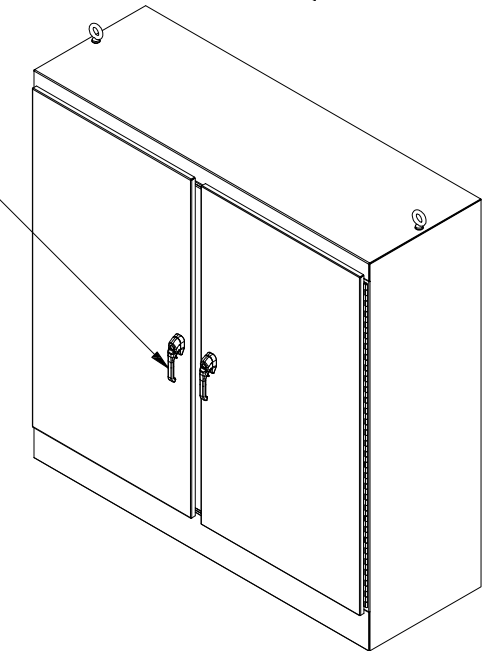


FRONT VIEW

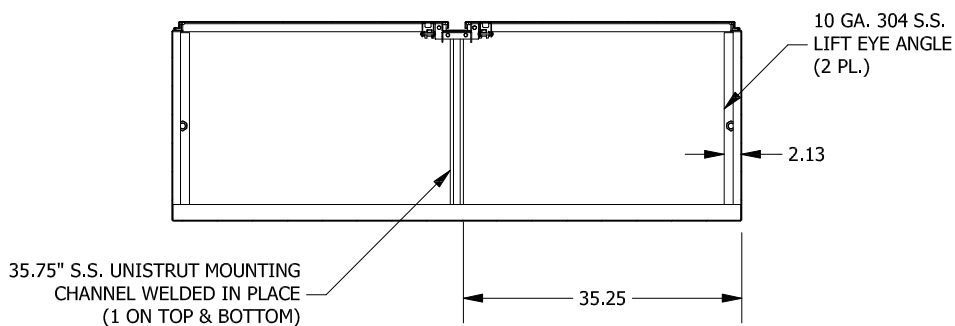


RIGHT SIDE VIEW

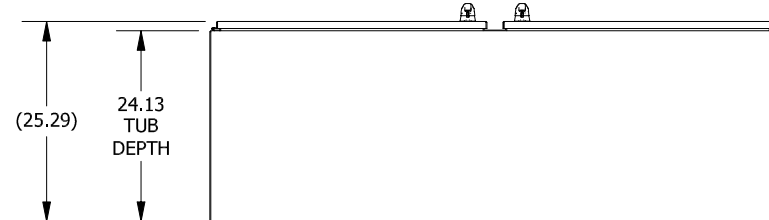
316 S.S. PADLOCKING,
3-POINT HANDLE (2 PL.)



1/4-20 X 1/2\"/>



**SECTION B-B
(INSIDE TOP OF ENCL.)**



BOTTOM VIEW

PART#: WA727224SSFS DN43PT
(DATA SUBJECT TO CHANGE WITHOUT NOTICE)

THIS DRAWING IS PROPERTY OF HUBBELL INC. WIEGMANN
ALL INFORMATION IS PROPRIETARY AND NOT TO BE DUPLICATED