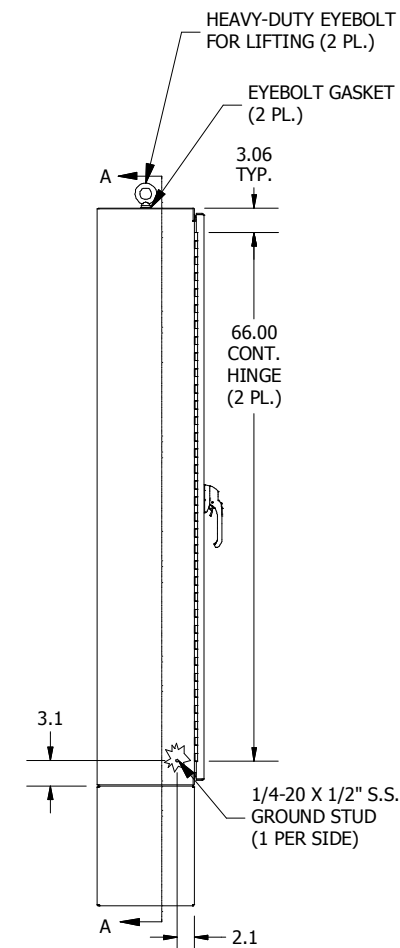
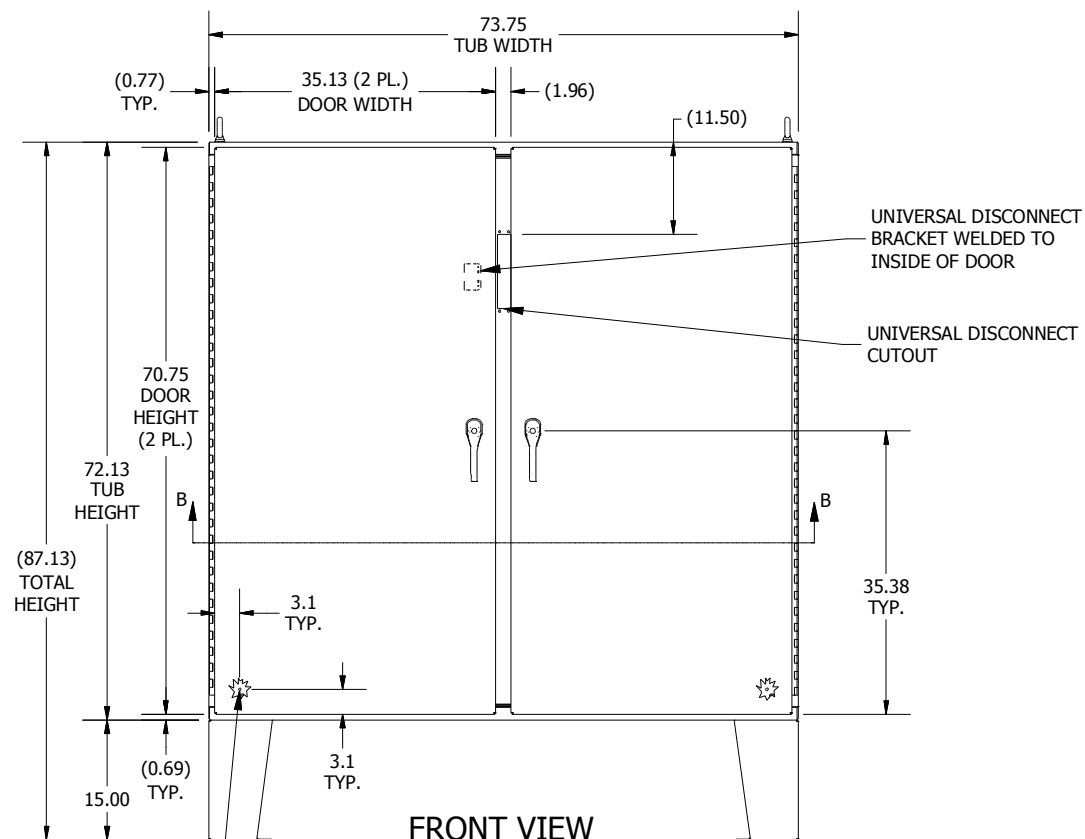


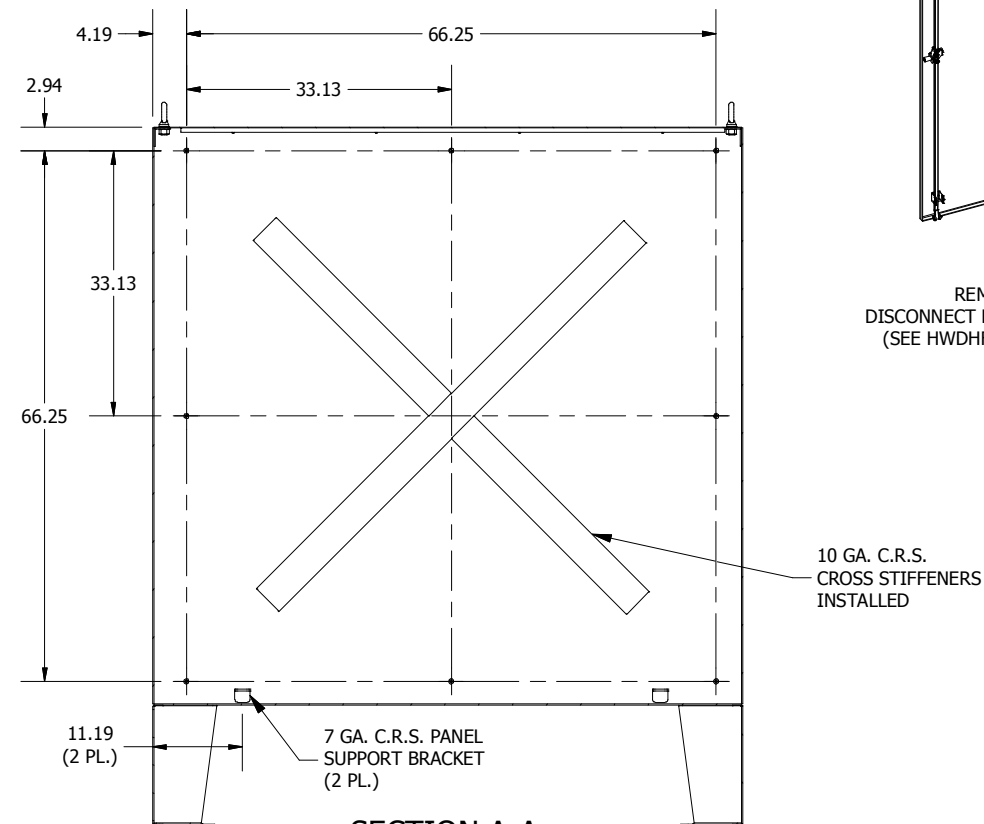
TOP VIEW



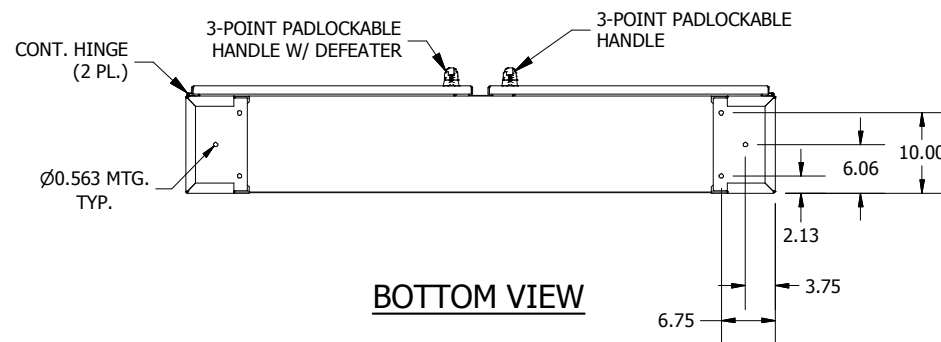
LEFT SIDE VIEW



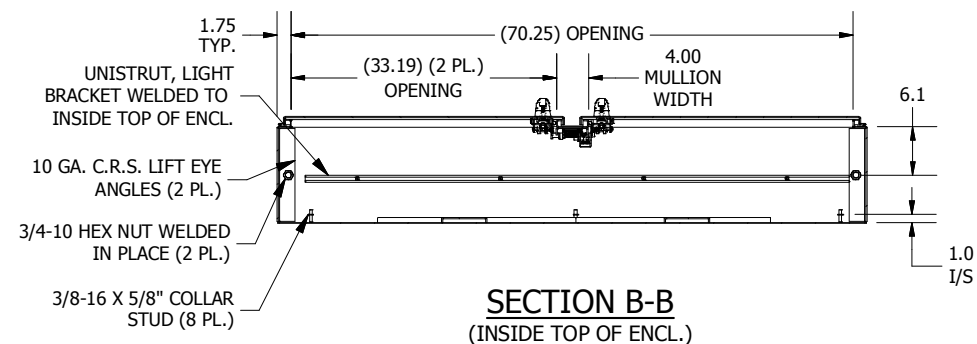
FRONT VIEW



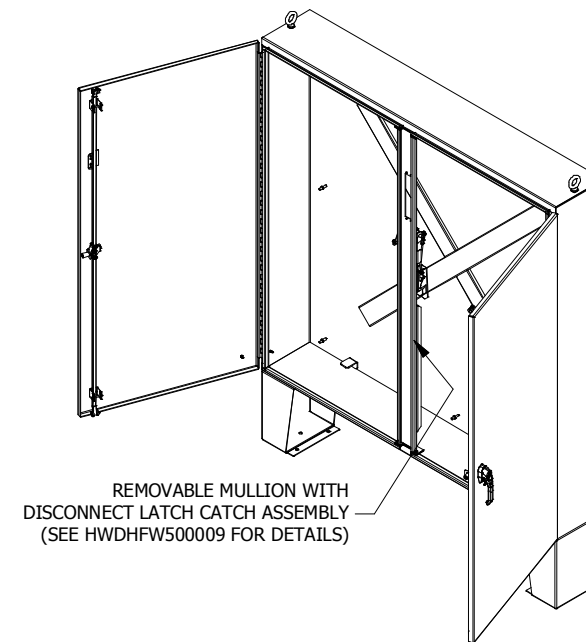
**SECTION A-A
(INSIDE BACK OF ENCL.)**



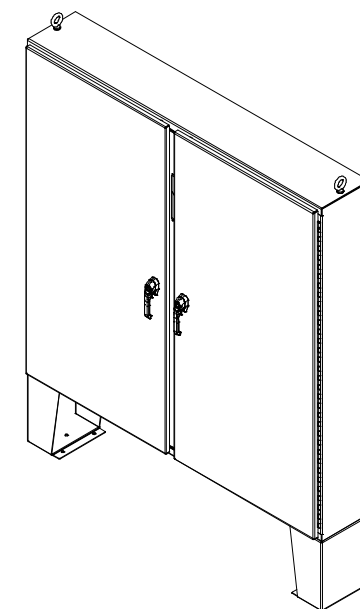
BOTTOM VIEW



**SECTION B-B
(INSIDE TOP OF ENCL.)**



**REMOVABLE MULLION WITH
DISCONNECT LATCH CATCH ASSEMBLY
(SEE HWDHFW500009 FOR DETAILS)**



PART#: WA72CPX7312U
(DATA SUBJECT TO CHANGE WITHOUT NOTICE)

THIS DRAWING IS PROPERTY OF HUBBELL INC. WIEGMANN
ALL INFORMATION IS PROPRIETARY AND NOT TO BE DUPLICATED