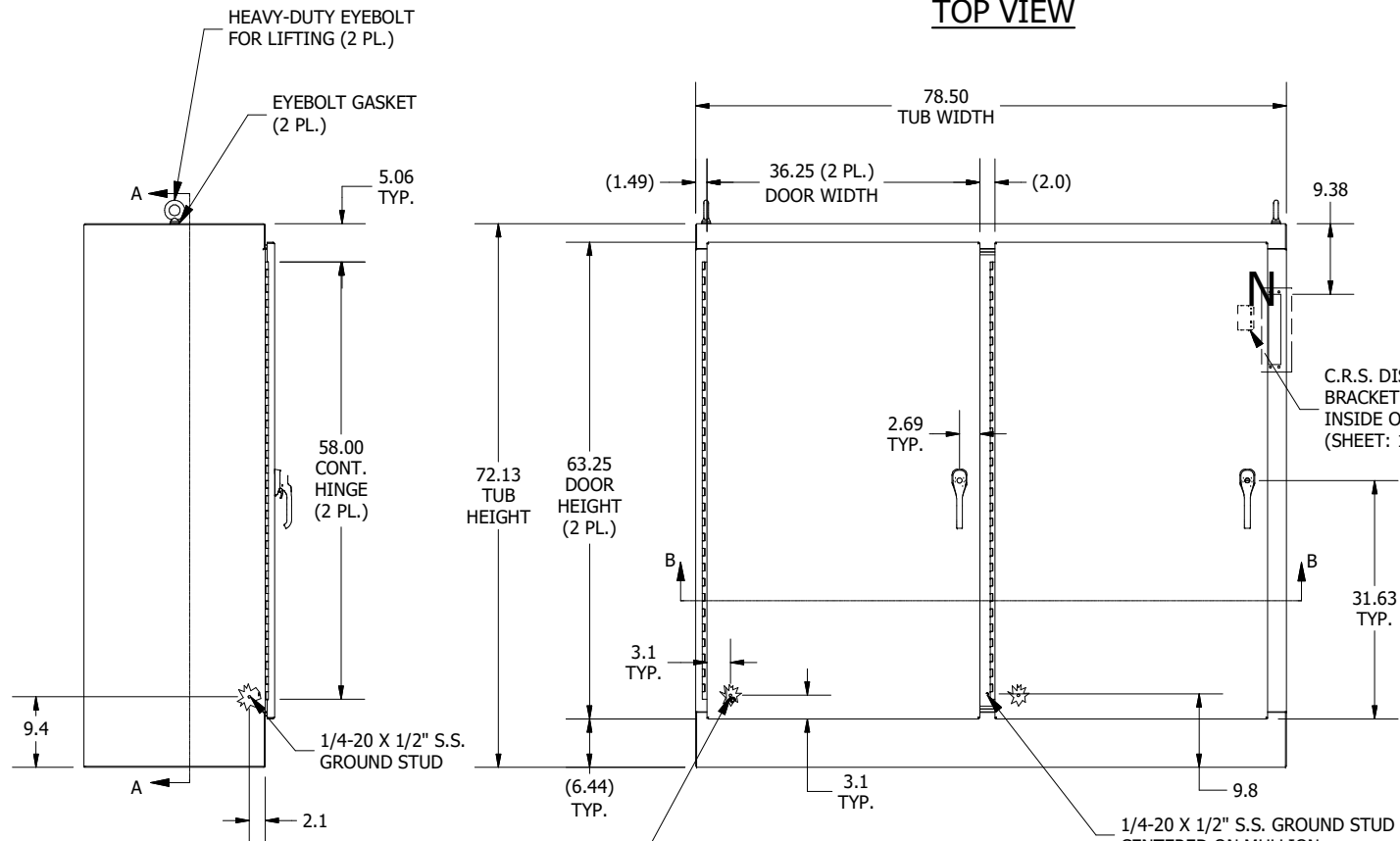
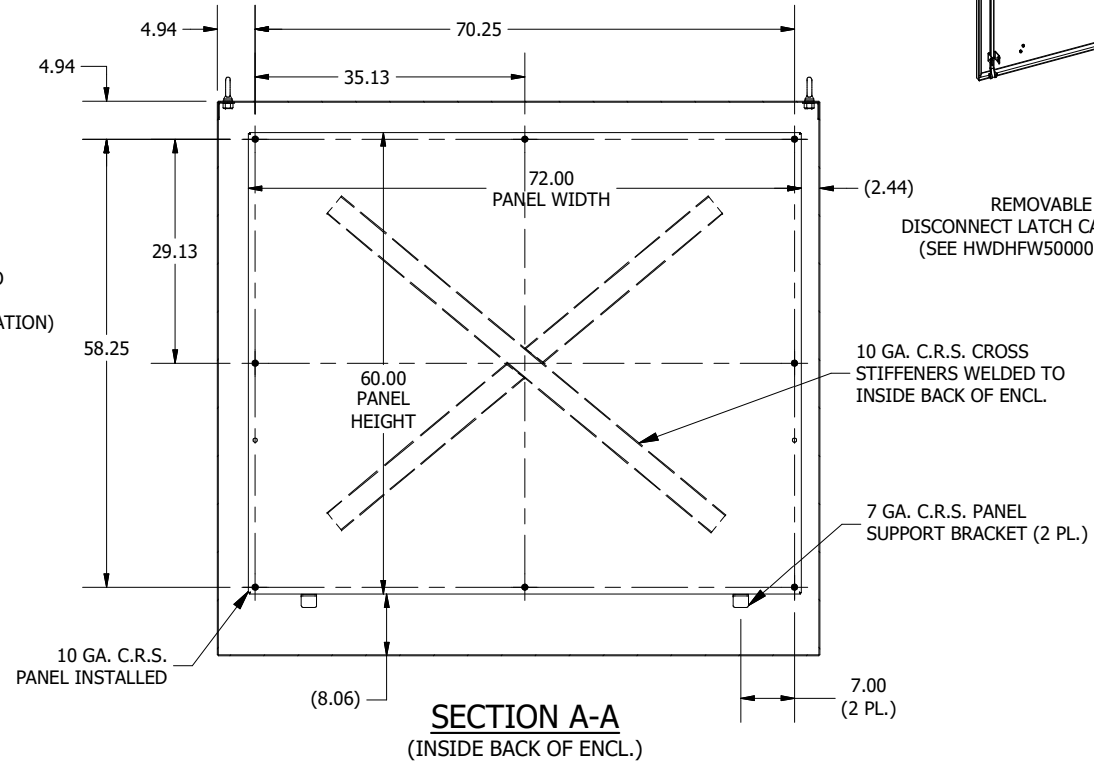


**TOP VIEW**

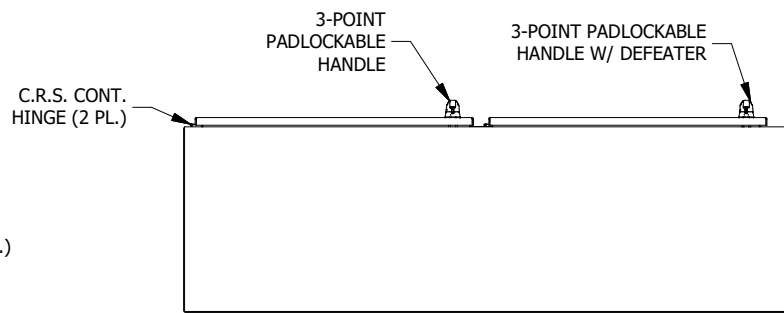
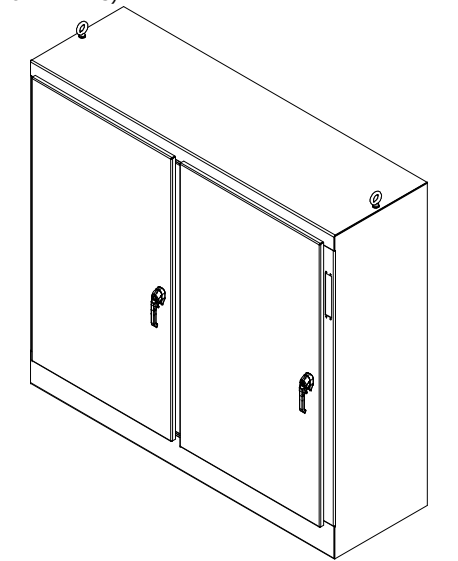
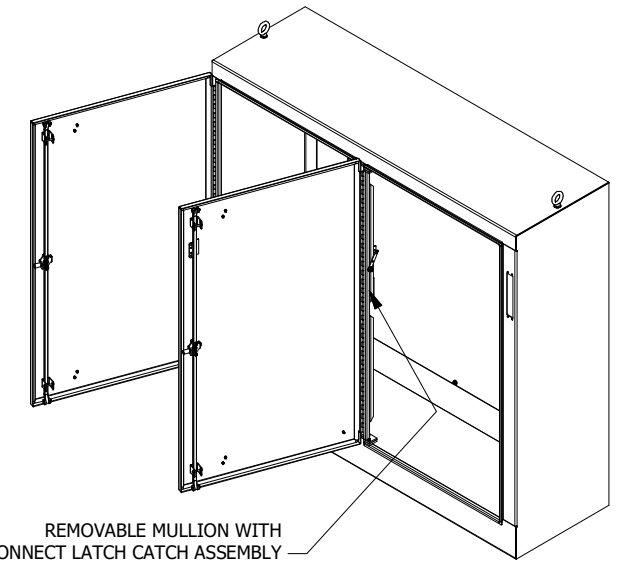


**FRONT VIEW**

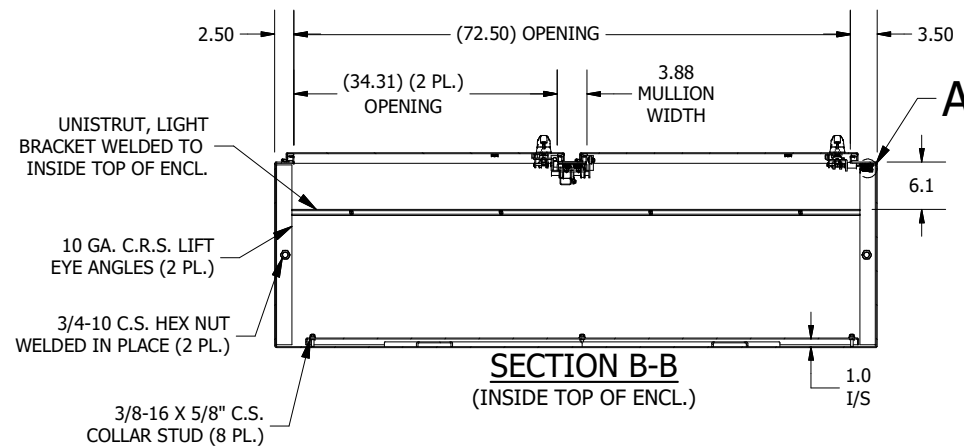
**LEFT SIDE VIEW**



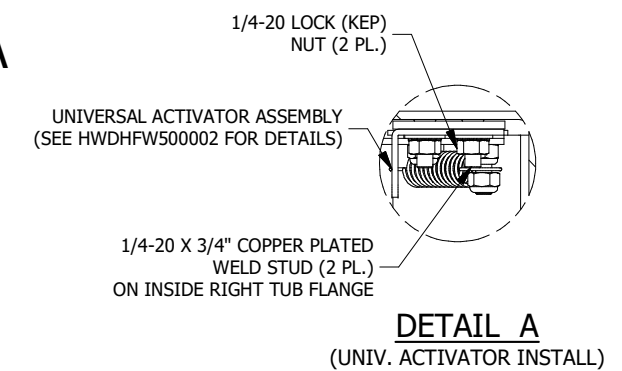
**SECTION A-A  
(INSIDE BACK OF ENCL.)**



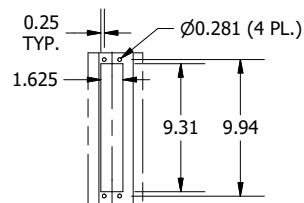
**BOTTOM VIEW**



**SECTION B-B  
(INSIDE TOP OF ENCL.)**



**DETAIL A  
(UNIV. ACTIVATOR INSTALL)**



**DETAIL N  
DISCONNECT CUTOUT DETAIL**

PART#: WA72XM7724U  
(DATA SUBJECT TO CHANGE WITHOUT NOTICE)

THIS DRAWING IS PROPERTY OF HUBBELL INC. WIEGMANN  
ALL INFORMATION IS PROPRIETARY AND NOT TO BE DUPLICATED