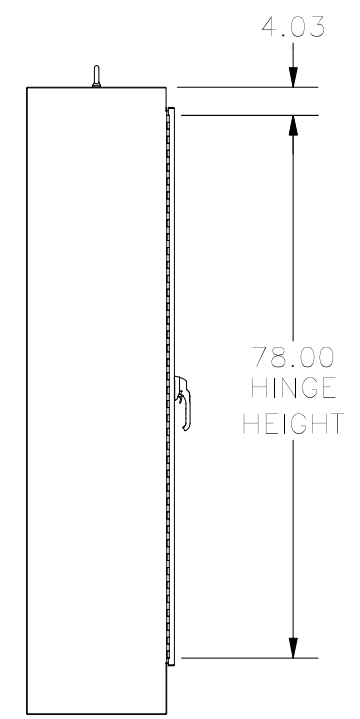
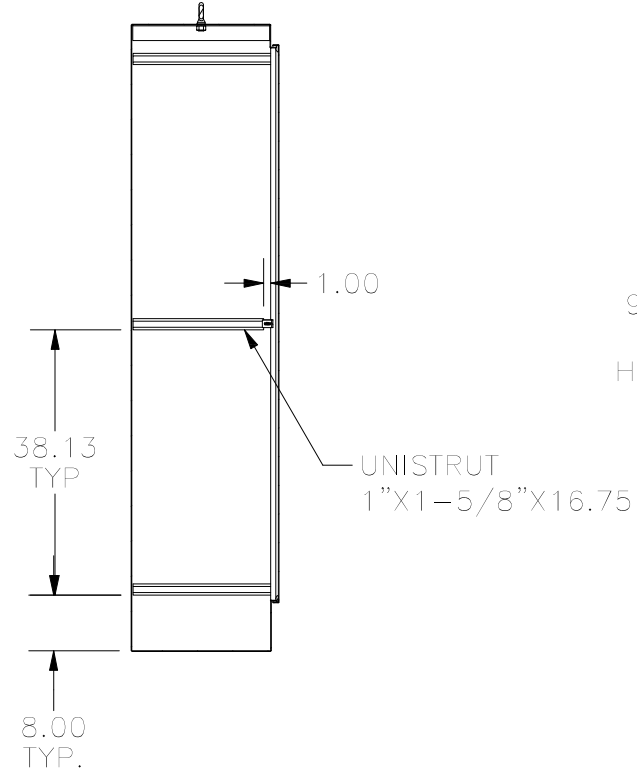


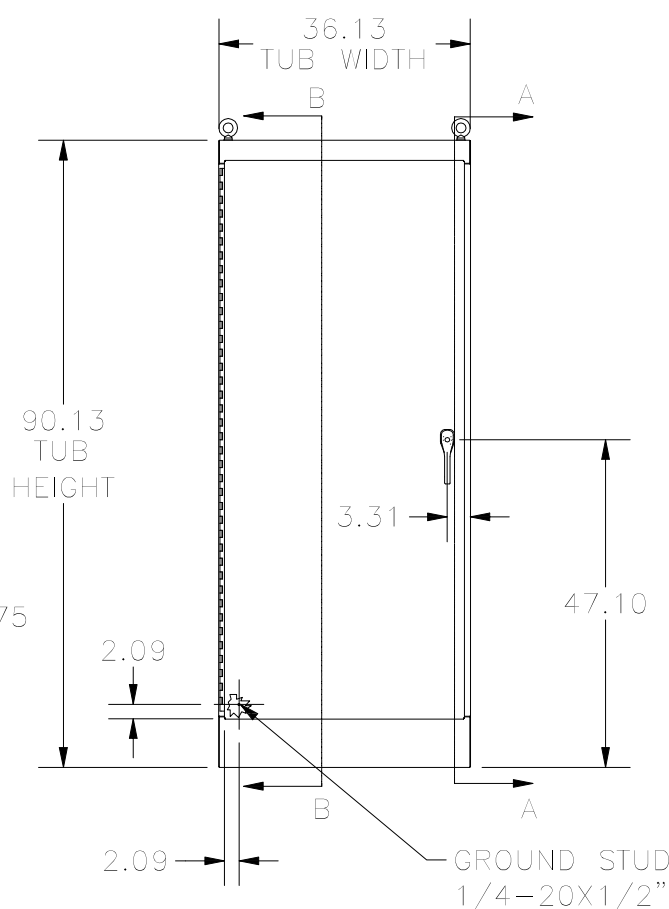
**TOP VIEW**



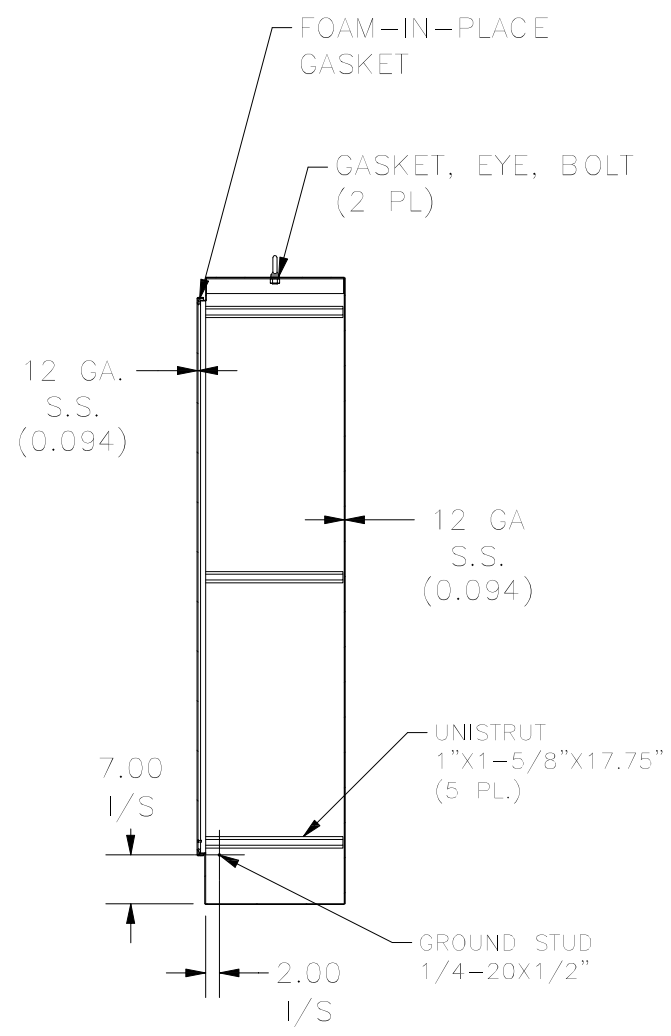
**LEFT SIDE VIEW**



**SECTION A-A  
(INSIDE RIGHT VIEW OF ENCLOSURE)**



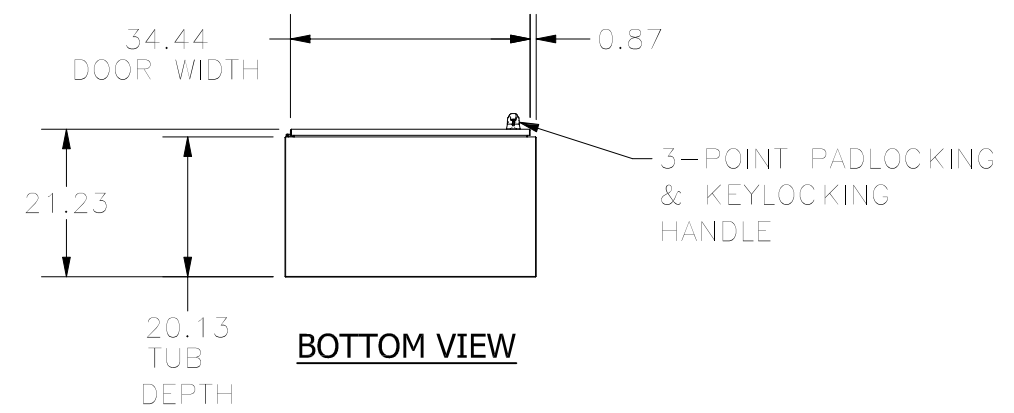
**FRONT VIEW**



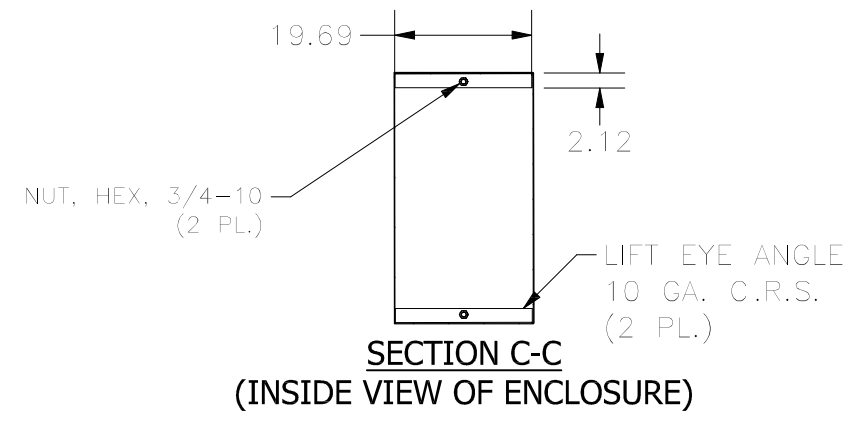
**SECTION B-B  
(INSIDE LEFT VIEW OF ENCLOSURE)**



**RIGHT SIDE VIEW**



**BOTTOM VIEW**



**SECTION C-C  
(INSIDE VIEW OF ENCLOSURE)**

PART#: WA903620FSSS  
(DATA SUBJECT TO CHANGE WITHOUT NOTICE)

THIS DRAWING IS PROPERTY OF HUBBELL INC.  
WIEGMANN  
ALL INFORMATION IS PROPRIETARY AND NOT TO BE  
DUPLICATED