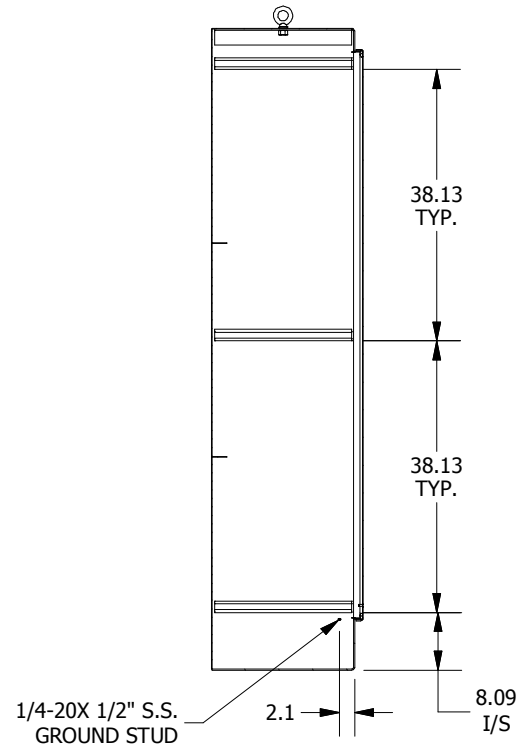
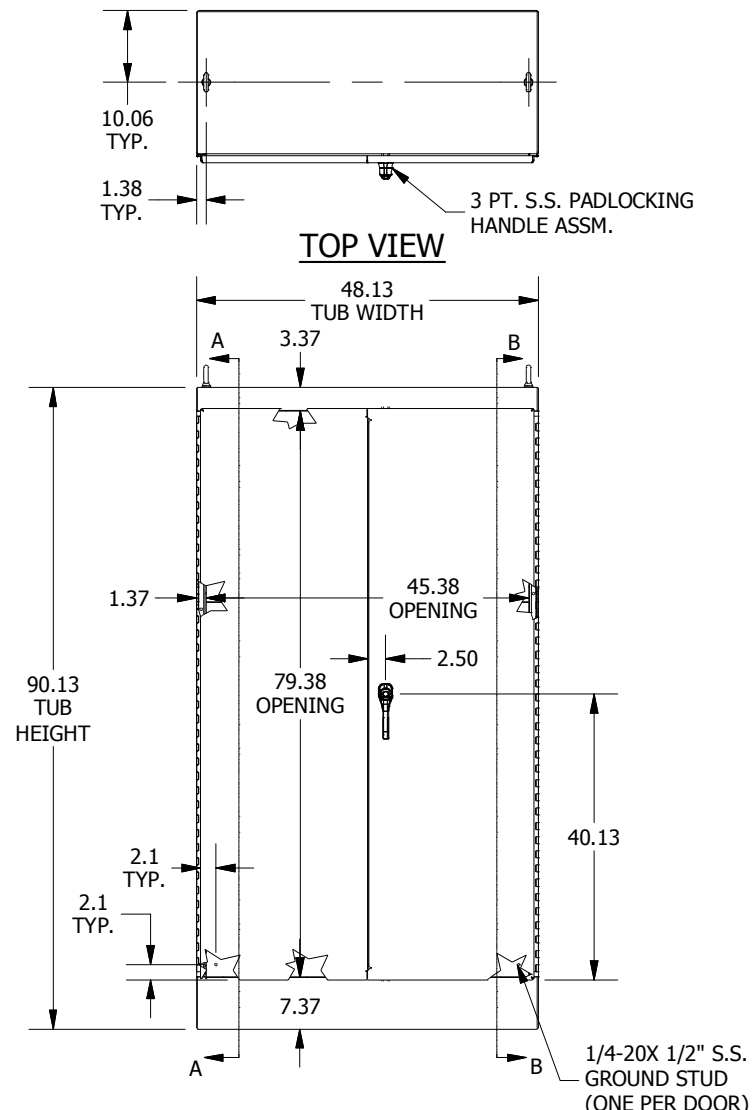


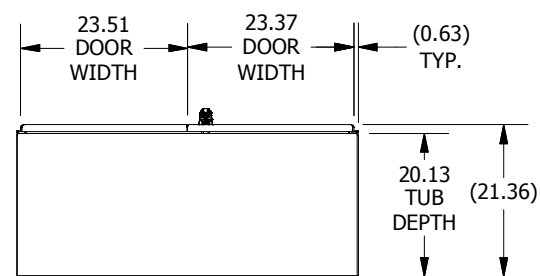
LEFT SIDE VIEW



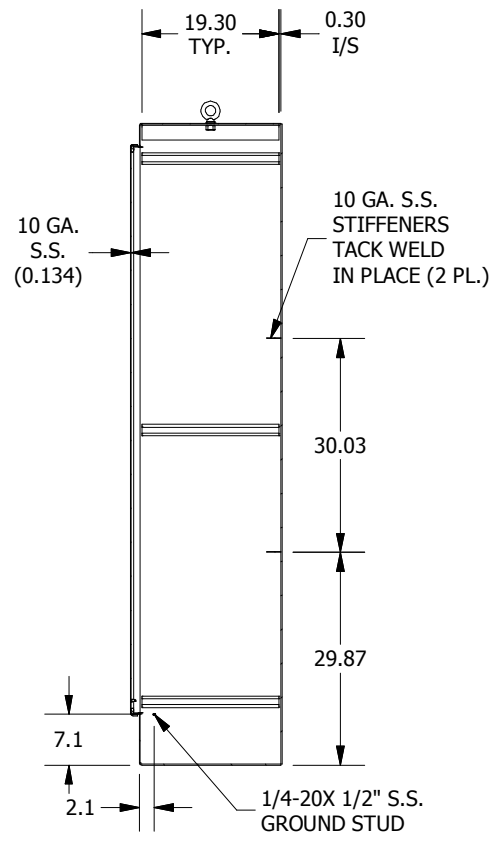
SECTION B-B  
(INSIDE RIGHT OF ENCL.)



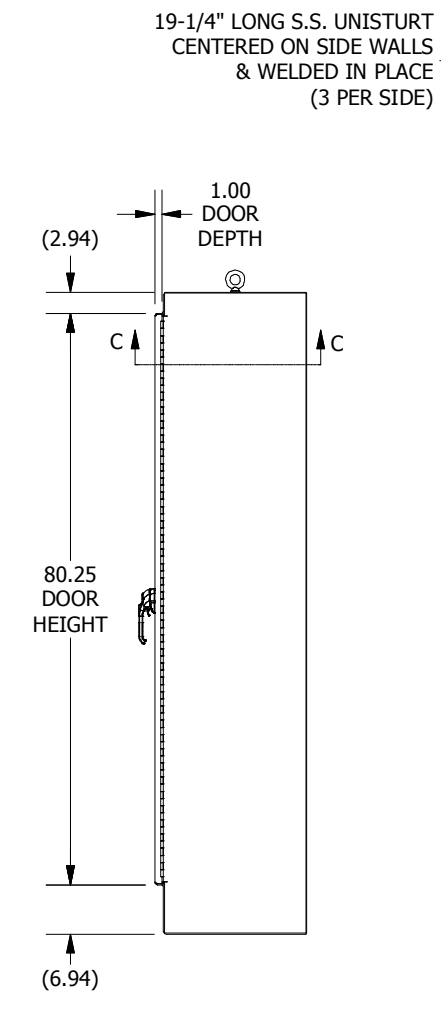
FRONT VIEW



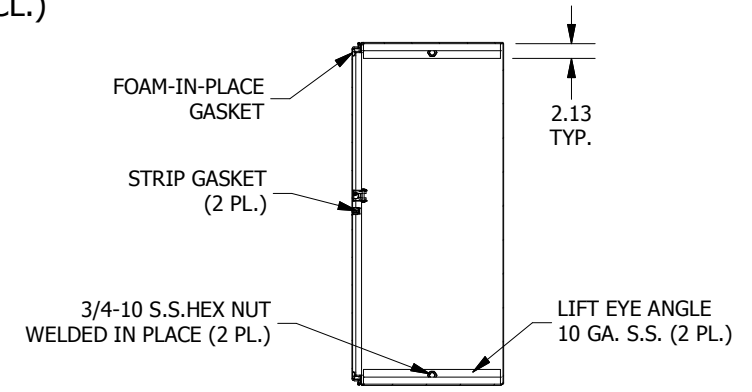
BOTTOM VIEW



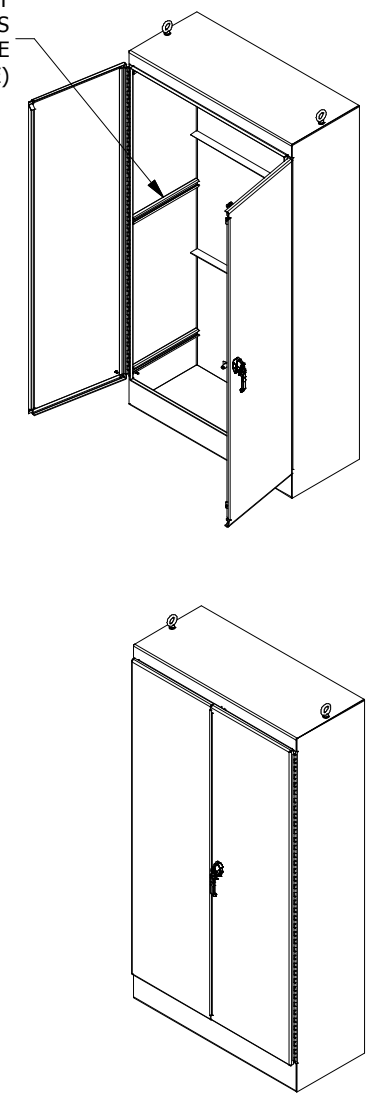
SECTION A-A  
(INSIDE LEFT OF ENCL.)



RIGHT SIDE VIEW



SECTION C-C



PART#: WA904820FSDSS  
(DATA SUBJECT TO CHANGE WITHOUT NOTICE)

THIS DRAWING IS PROPERTY OF HUBBELL INC. WIEGMANN  
ALL INFORMATION IS PROPRIETARY AND NOT TO BE DUPLICATED