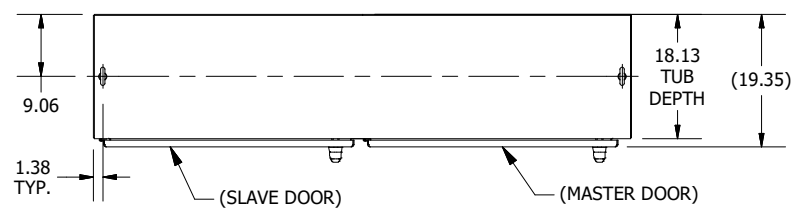
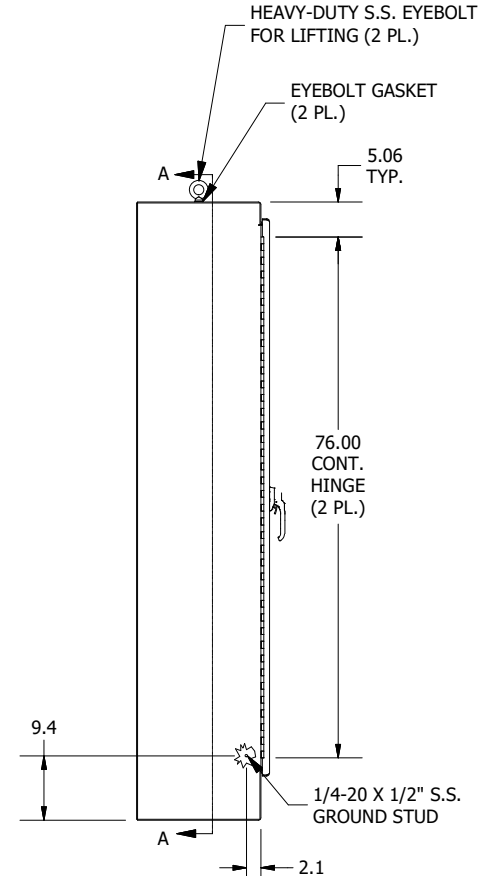


REVISION HISTORY			
REV	DESCRIPTION	BY	DATE
A	ECO# 20160606-1L	WF	5/9/2017

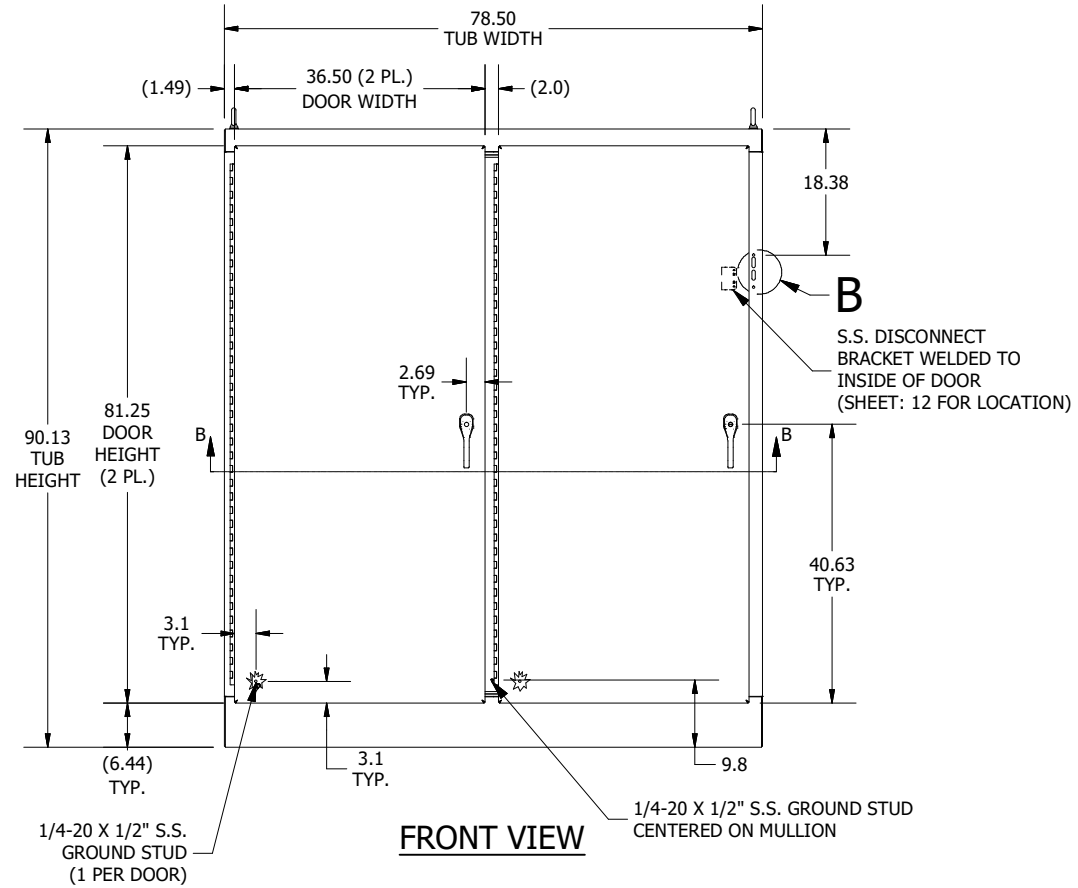
- NOTES:**
1. ALL DIMENSIONS ARE FROM OUTSIDE UNLESS OTHERWISE NOTED (I/S).
 2. ENCLOSURE IS FABRICATED FROM 10 GA. 304 STAINLESS STEEL.
 3. ALL SEAMS ARE CONTINUOUSLY WELDED & GROUND SMOOTH.
 4. DOORS ARE SEALED WITH FOAM-IN-PLACE GASKET.
 5. RIGHT DOOR (MASTER) IS SECURED SHUT WITH A 3-POINT 316 S.S. PADLOCKABLE HANDLE WITH BUILT IN DEFEATER.
 6. LEFT DOOR (SLAVE) IS SECURED SHUT WITH A 3-POINT 316 S.S. PADLOCKABLE HANDLE WITHOUT DEFEATER.
 7. A 10 GA. CARBON STEEL BACK PANEL IS INSTALLED PER DRAWING.
 8. FINISH: EXTERIOR - STANDARD GRAINED FINISH.
INTERIOR - STANDARD COMMERCIAL FINISH.
PANEL - WHITE POLYESTER POWDER (SMOOTH).
 9. ENCLOSURE IS RATED UL TYPE 4X.



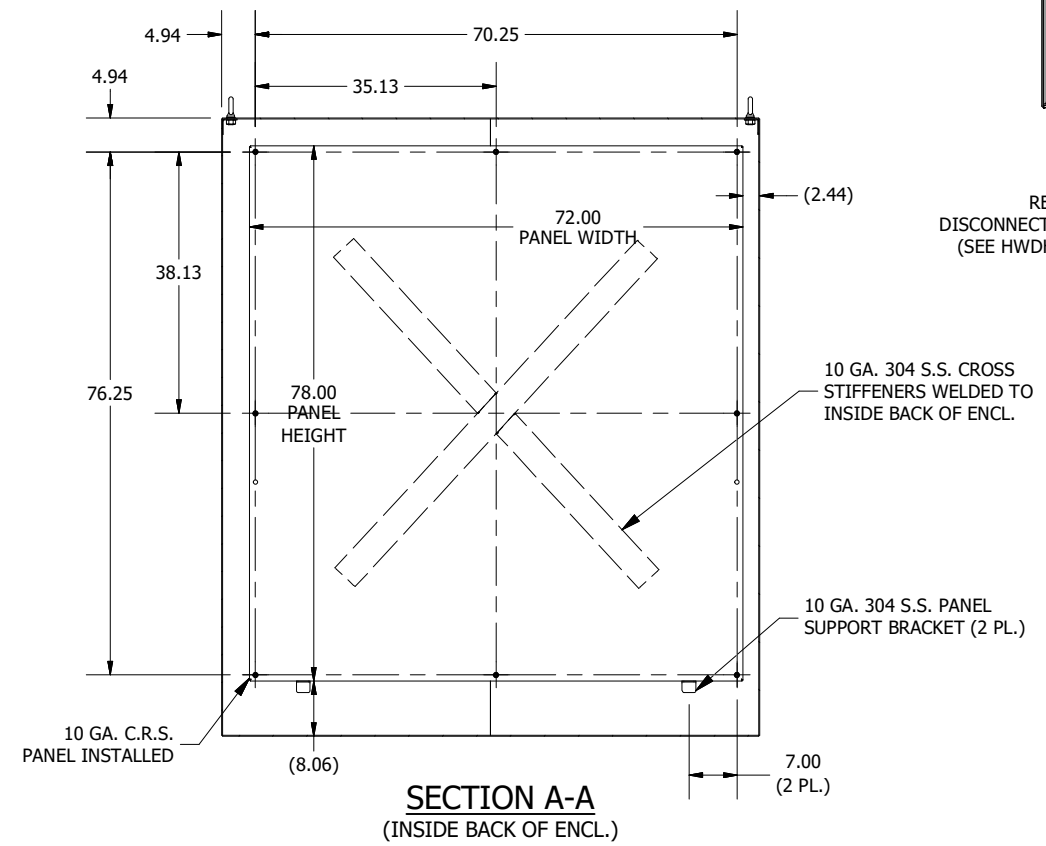
TOP VIEW



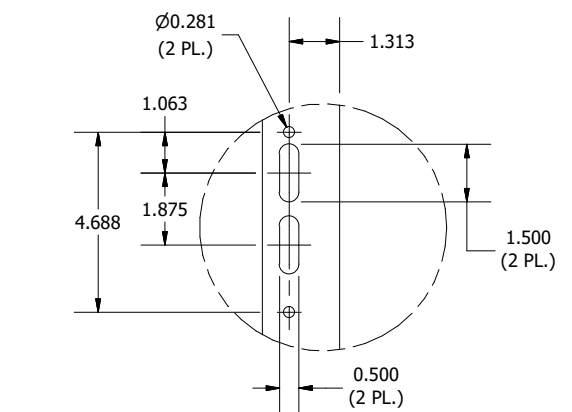
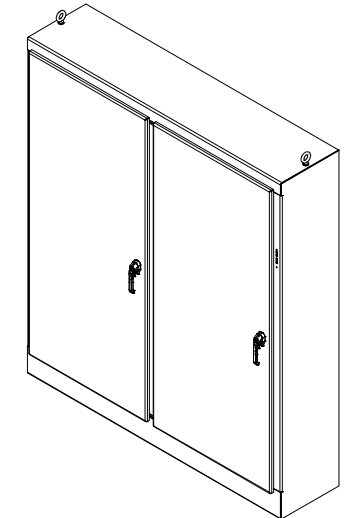
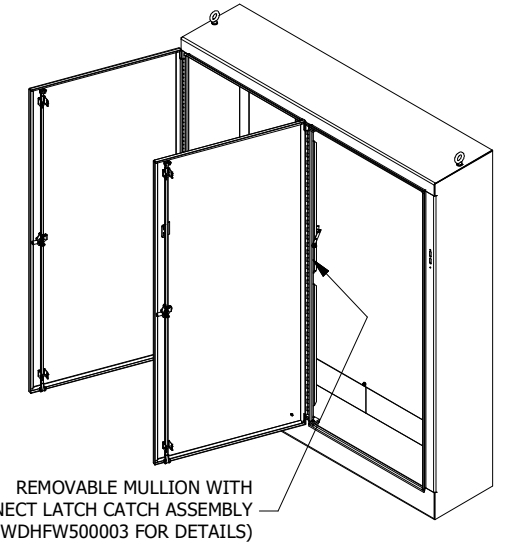
LEFT SIDE VIEW



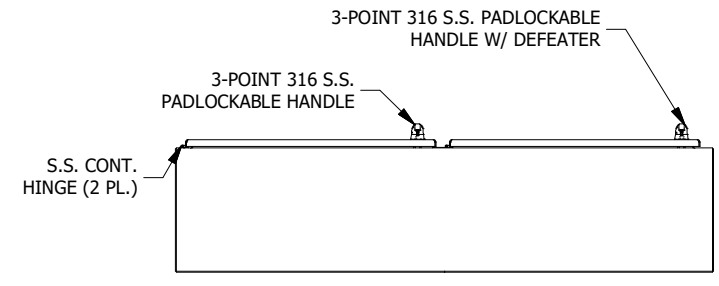
FRONT VIEW



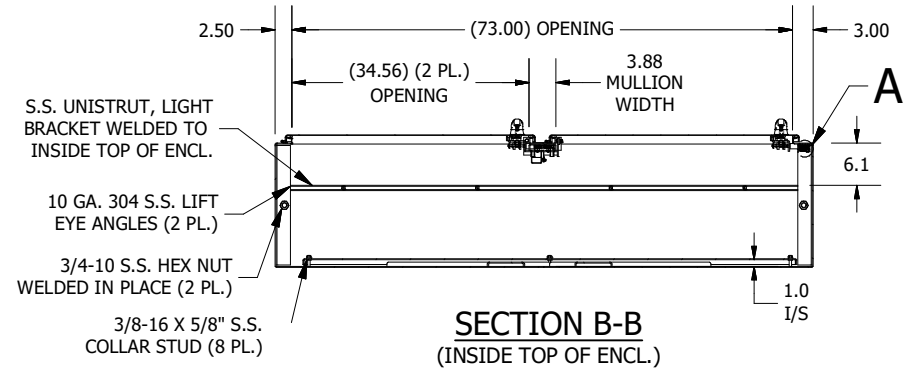
**SECTION A-A
(INSIDE BACK OF ENCL.)**



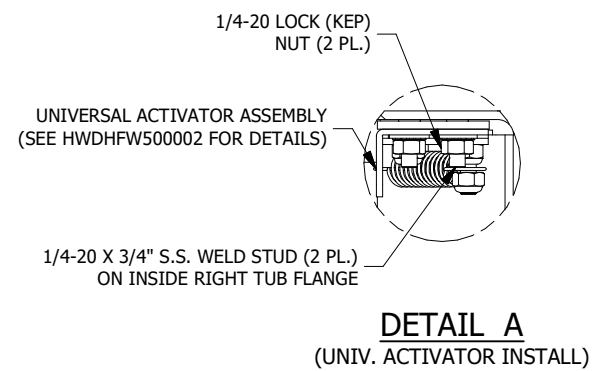
**DETAIL B
(DISCONNECT CUTOUT DETAIL)**



BOTTOM VIEW



**SECTION B-B
(INSIDE TOP OF ENCL.)**



**DETAIL A
(UNIV. ACTIVATOR INSTALL)**

PART#: WA90XM7718SSN4
(DATA SUBJECT TO CHANGE WITHOUT NOTICE)

THIS DRAWING IS PROPERTY OF HUBBELL INC. WIEGMANN
ALL INFORMATION IS PROPRIETARY AND NOT TO BE DUPLICATED