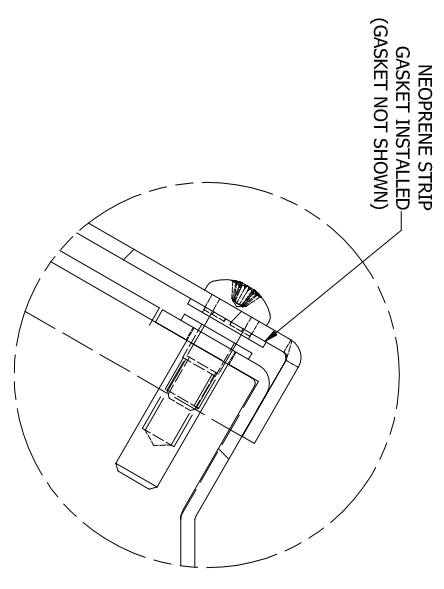
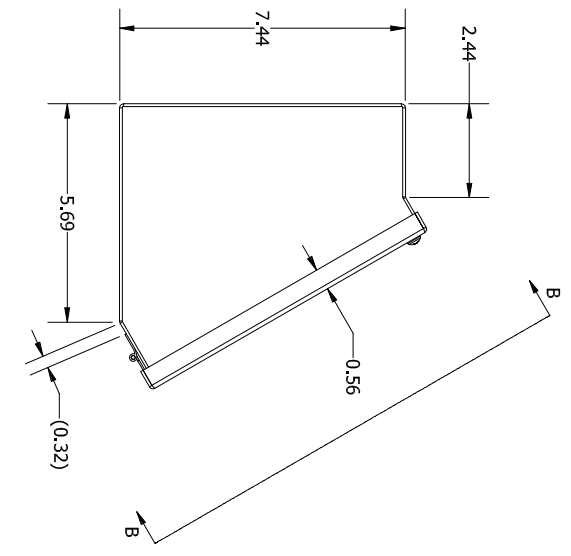
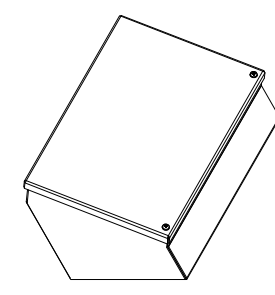
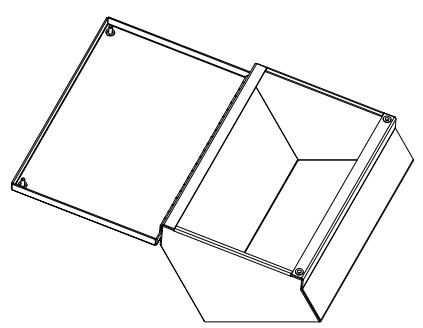


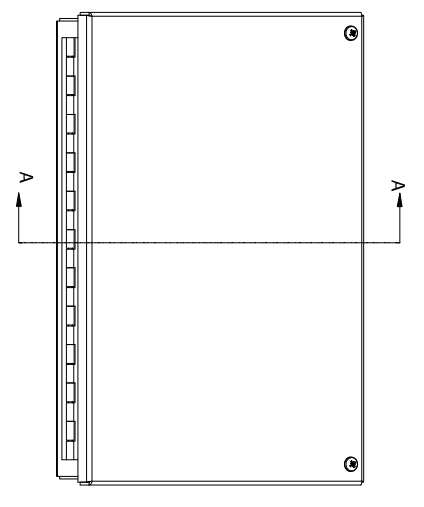
**VIEW B-B**  
(LID ASSM. REMOVED)



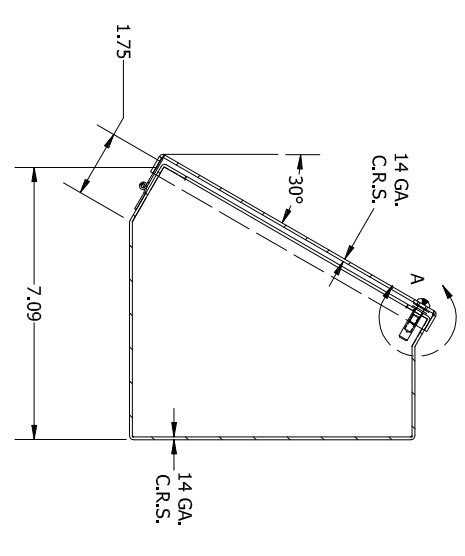
**DETAIL A (2 PL.)**  
(LID ATTACHMENT DETAIL)



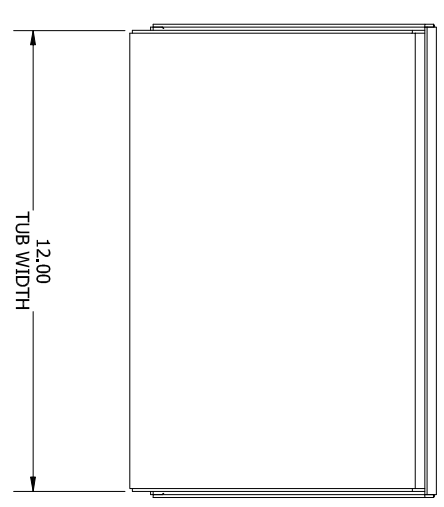
**LEFT SIDE VIEW**



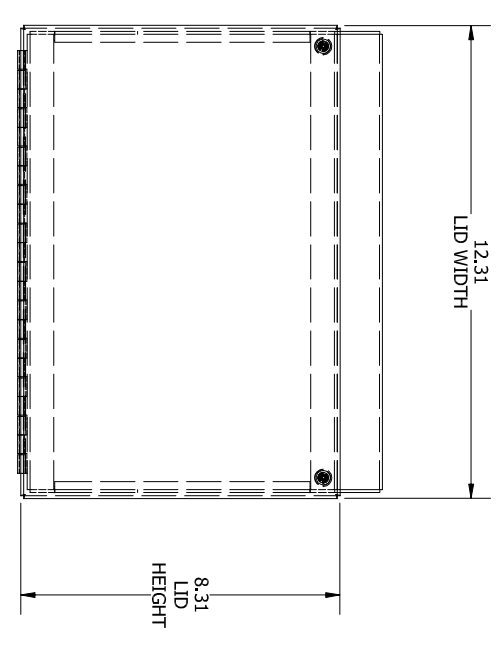
**FRONT VIEW**



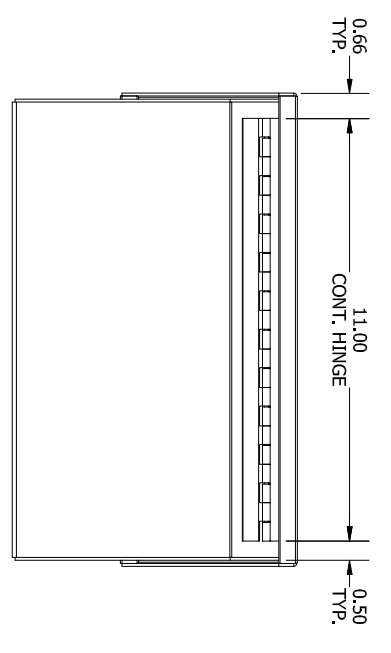
**SECTION A-A VIEW**  
(INSIDE LEFT OF ENCL.)



**BOTTOM VIEW**



**SECTION B-B**  
(STRAIGHT AHEAD VIEW OF LID)



**REAR VIEW**

PART#: WC08C12  
(DATA SUBJECT TO CHANGE WITHOUT NOTICE)

THIS DRAWING IS PROPERTY OF HUBBELL INC. WIEGMANN  
ALL INFORMATION IS PROPRIETARY AND NOT TO BE DUPLICATED