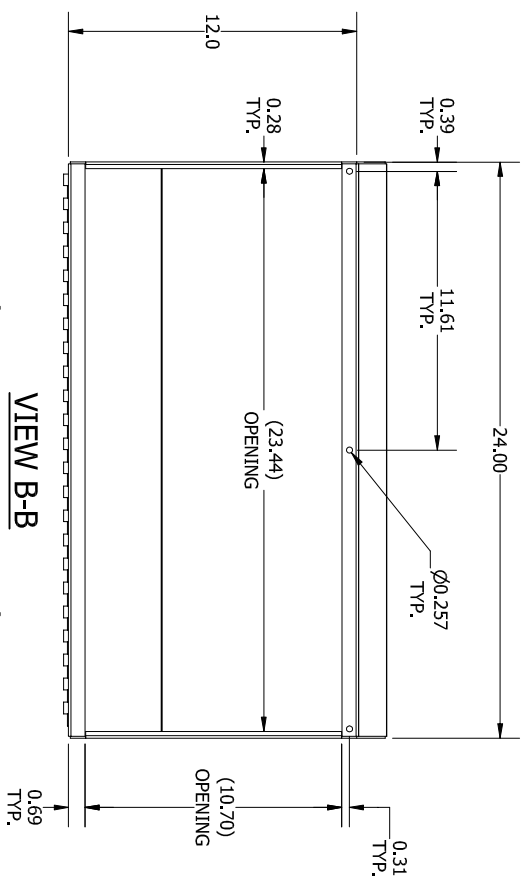
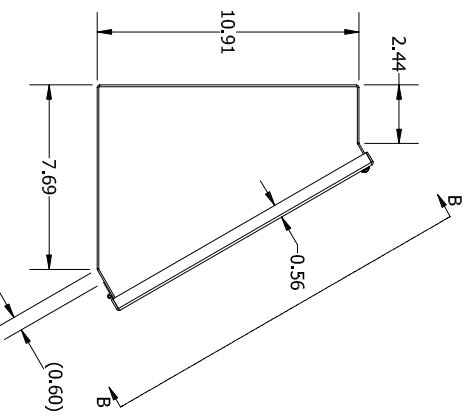
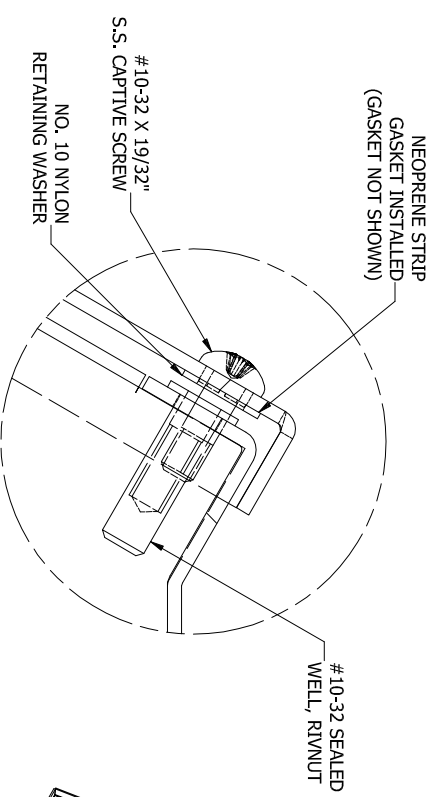


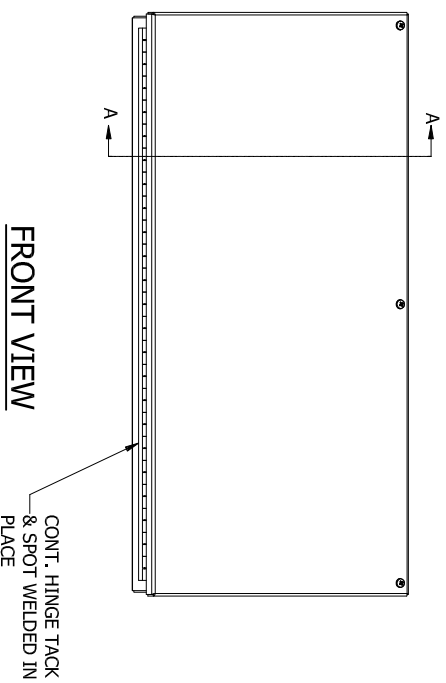
**VIEW B-B**  
(LID ASSM. REMOVED)



**DETAIL A (3 PL.)**  
(LID ATTACHMENT DEATIL)

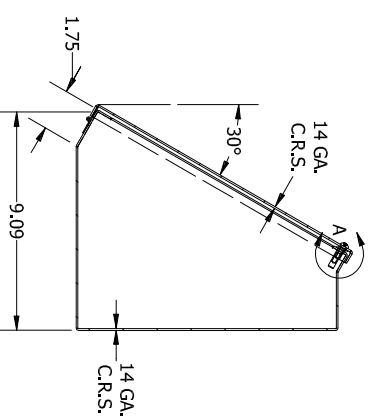


**LEFT SIDE VIEW**

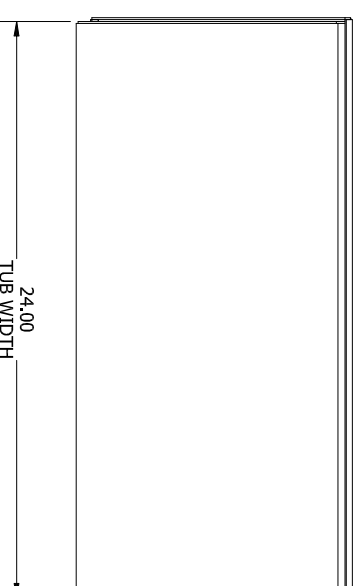


**FRONT VIEW**

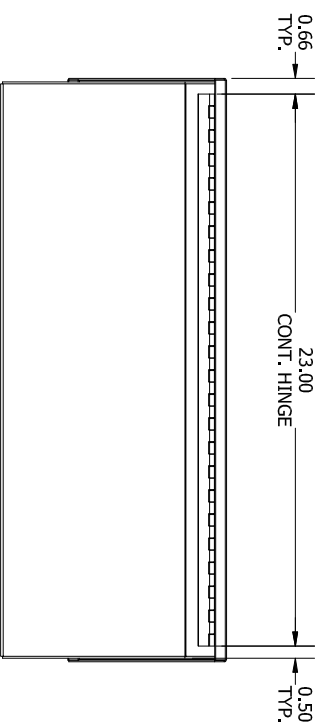
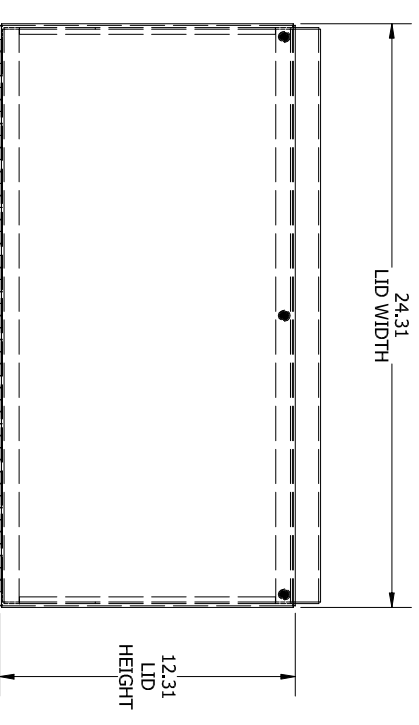
**SECTION A-A VIEW**  
(INSIDE LEFT OF ENCL.)



**BOTTOM VIEW**



**SECTION B-B**  
(STRAIGHT AHEAD VIEW OF LID)



**REAR VIEW**

PART#: WC 12C24  
(DATA SUBJECT TO CHANGE WITHOUT NOTICE)

THIS DRAWING IS PROPERTY OF HUBBELL INC. WIEGMANN  
ALL INFORMATION IS PROPRIETARY AND NOT TO BE DUPLICATED