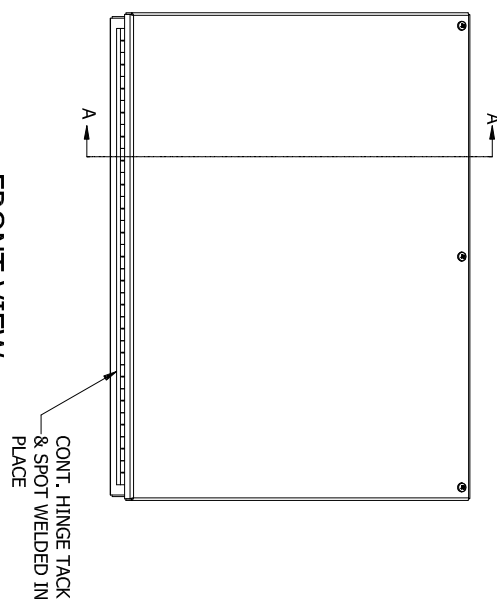
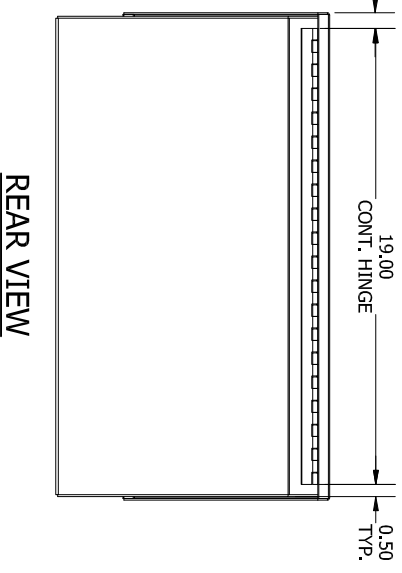


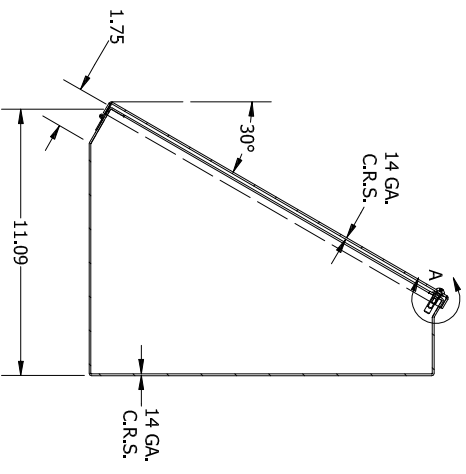
LEFT SIDE VIEW



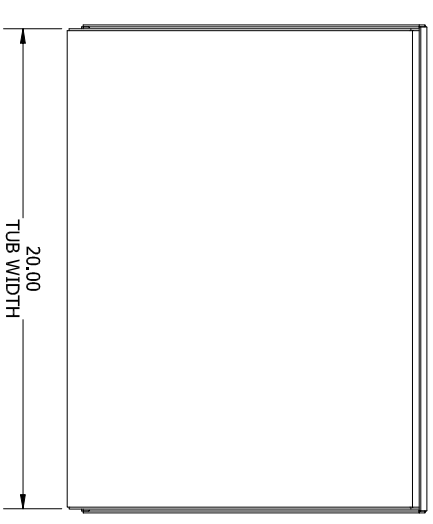
FRONT VIEW



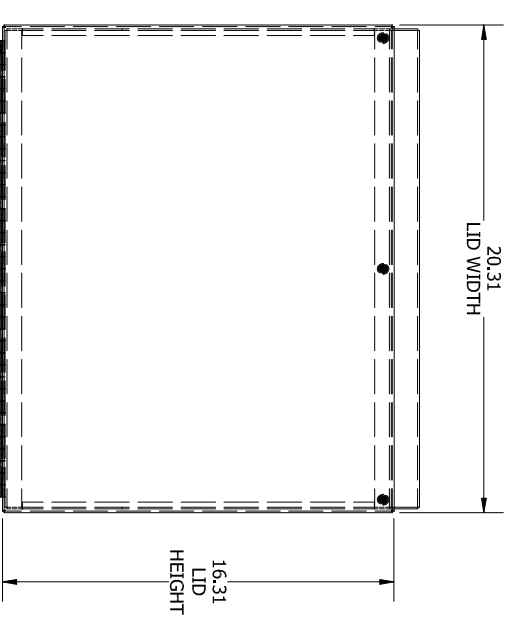
REAR VIEW



**SECTION A-A VIEW
(INSIDE LEFT OF ENCL.)**



BOTTOM VIEW



**SECTION B-B
(STRAIGHT AHEAD VIEW OF LID)**

PART#: WC16C20
 (DATA SUBJECT TO CHANGE WITHOUT NOTICE)

THIS DRAWING IS PROPERTY OF HUBBELL INC. WIEGMANN
 ALL INFORMATION IS PROPRIETARY AND NOT TO BE DUPLICATED