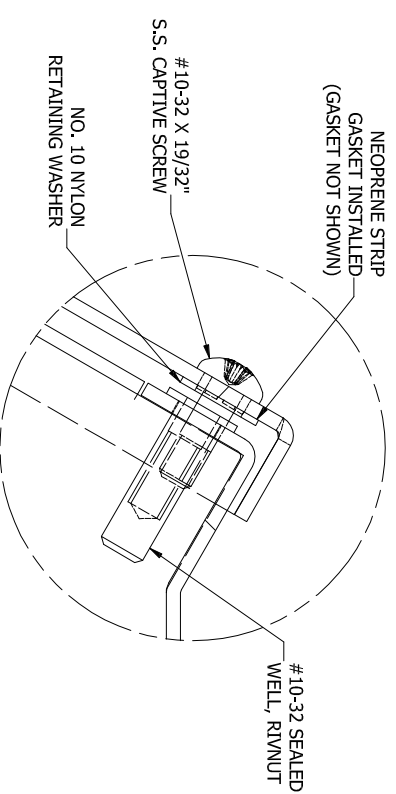
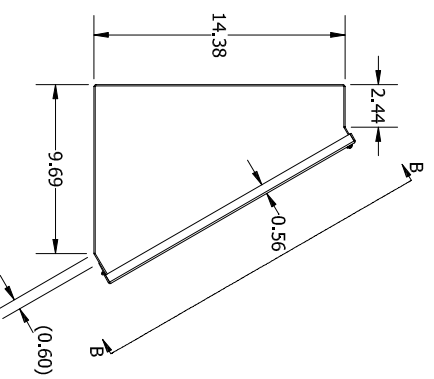
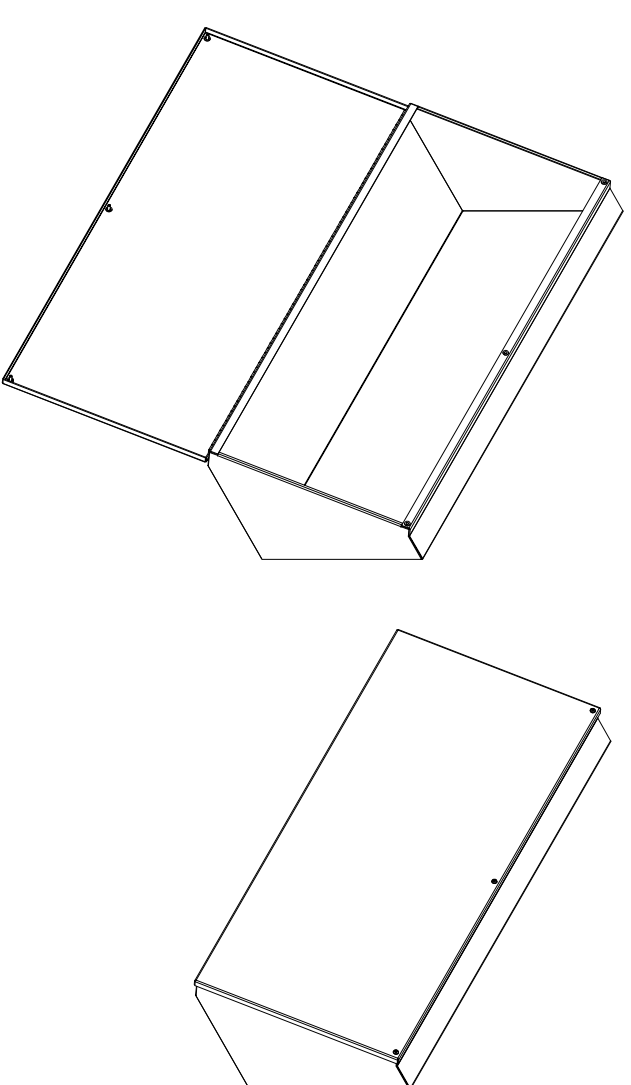


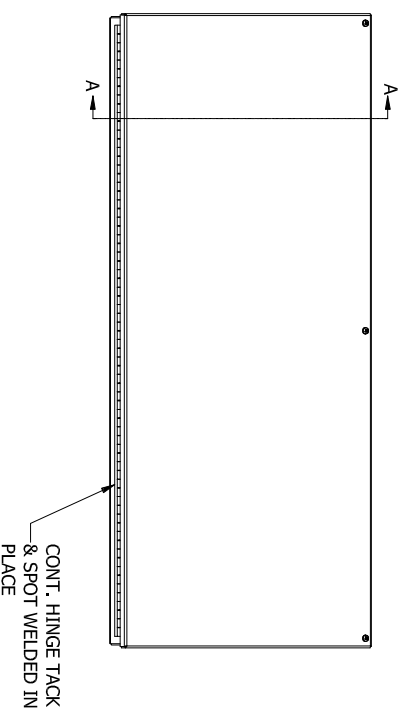
VIEW B-B
(LID ASSM. REMOVED)



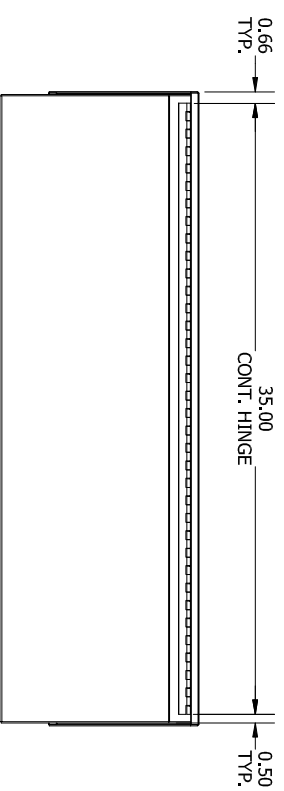
DETAIL A (3 PL.)
(LID ATTACHMENT DETAIL)



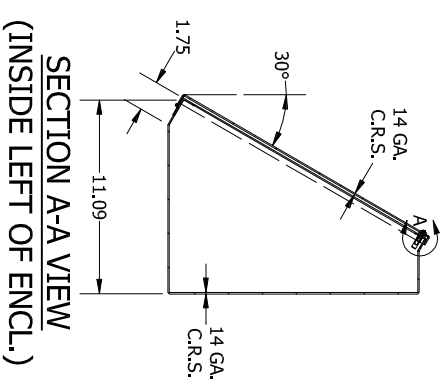
LEFT SIDE VIEW



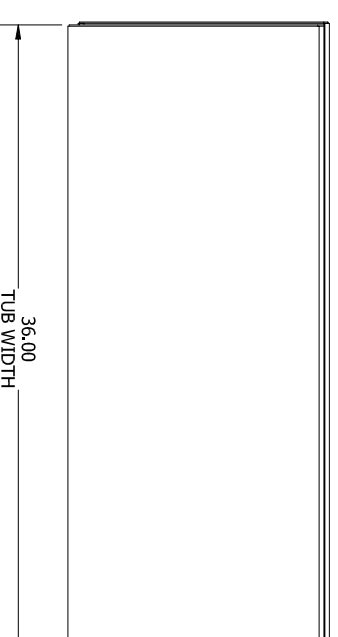
FRONT VIEW



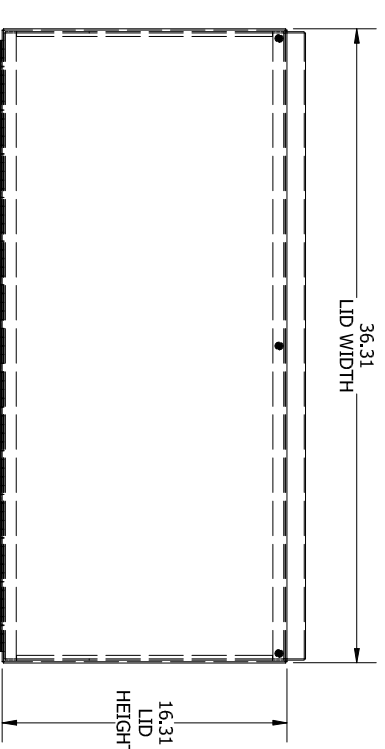
REAR VIEW



SECTION A-A VIEW
(INSIDE LEFT OF ENCL.)



BOTTOM VIEW



SECTION B-B
(STRAIGHT AHEAD VIEW OF LID)

PART#: WC16C36
(DATA SUBJECT TO CHANGE WITHOUT NOTICE)

THIS DRAWING IS PROPERTY OF HUBBELL INC. WIEGMANN
ALL INFORMATION IS PROPRIETARY AND NOT TO BE DUPLICATED