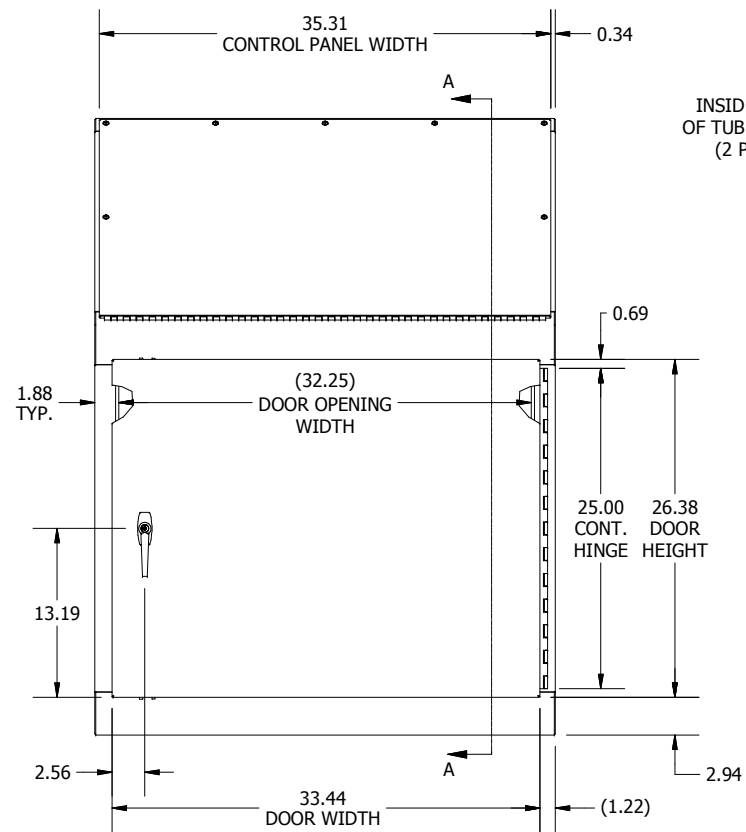
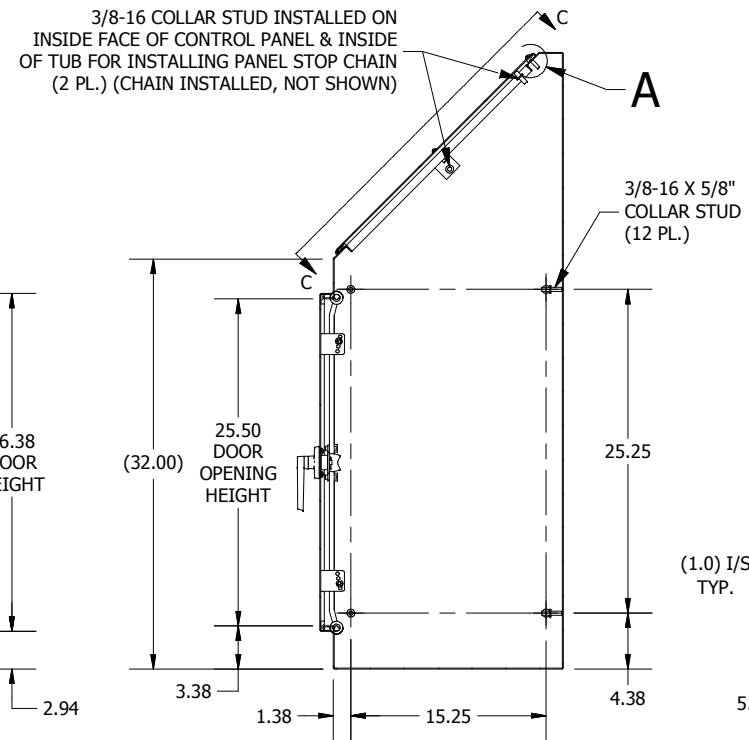


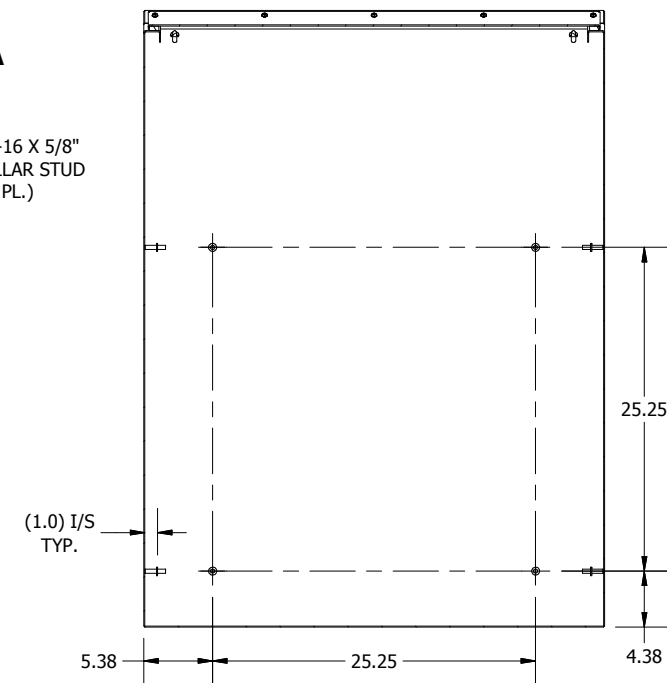
LEFT SIDE VIEW



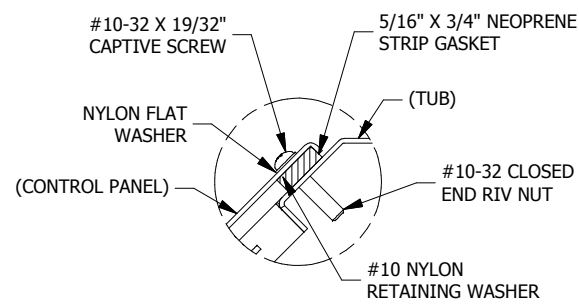
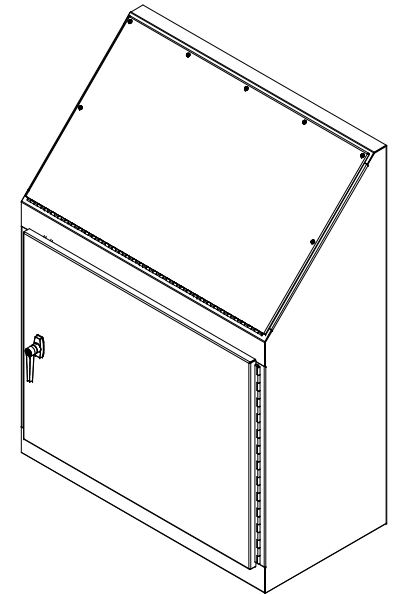
FRONT VIEW



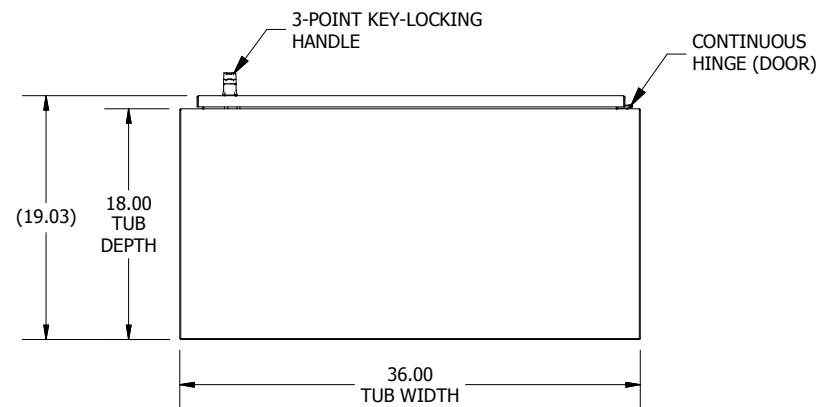
**SECTION A-A
(INSIDE LEFT OF ENCL.)**



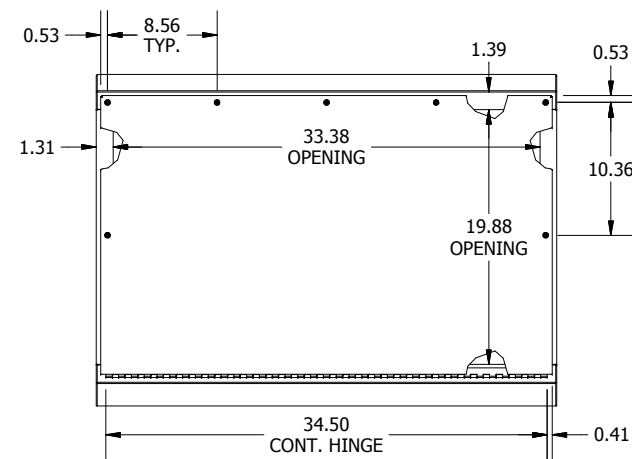
**SECTION B-B
(INSIDE BACK OF ENCL.)**



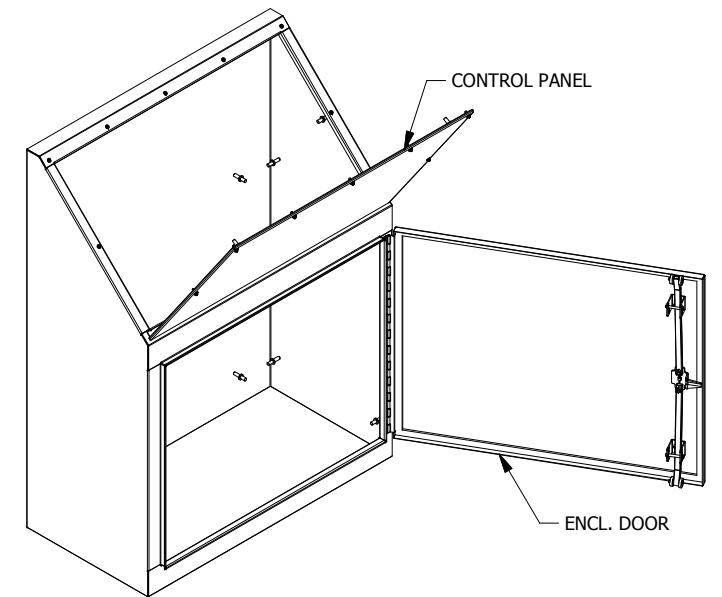
**DETAIL A (7 PL.)
(CONTROL PNL. INSTALL DETAIL)**



BOTTOM VIEW



**VIEW C-C
(STRAIGHT ON VIEW OF CONTROL PANEL)**



**PART#: WC936B
(DATA SUBJECT TO CHANGE WITHOUT NOTICE)**

THIS DRAWING IS PROPERTY OF HUBBELL INC. WIEGMANN ALL INFORMATION IS PROPRIETARY AND NOT TO BE DUPLICATED