

**BALDOR® • RELIANCE** 

**Product Information Packet**

**WCL1406T**

**3HP,3450RPM,1PH,60HZ,182TCZ,3628L,OPEN**

Part Detail							
Revision:	AE	Status:	PRD/A	Change #:		Proprietary:	No
Type:	AC	Elec. Spec:	36WG0115	CD Diagram:	CD0001	Mfg Plant:	
Mech. Spec:	36E772	Layout:	36LYE772	Poles:	02	Created Date:	
Base:	RG	Eff. Date:	03-16-2017	Leads:	4#14 A PH,2#16 B PH		

Specs			
Catalog Number:	WCL1406T	Insulation Class:	F
Enclosure:	OPEN	Inverter Code:	Not Inverter
Frame:	182TCZ	KVA Code:	G
Frame Material:	Steel	Lifting Lugs:	No Lifting Lugs
Output @ Frequency:	3.000 HP @ 60 HZ	Locked Bearing Indicator:	Locked Bearing
Synchronous Speed @ Frequency:	3600 RPM @ 60 HZ	Motor Lead Quantity/Wire Size:	4 @ 14 AWG, A PH
Voltage @ Frequency:	230.0 V @ 60 HZ	Motor Lead Exit:	Ko Box
	115.0 V @ 60 HZ	Motor Lead Termination:	Flying Leads
XP Class and Group:	None	Motor Type:	3628L
XP Division:	Not Applicable	Mounting Arrangement:	F1
Agency Approvals:	CSA	Power Factor:	88
	UR	Product Family:	General Purpose
Auxillary Box:	No Auxillary Box	Pulley End Bearing Type:	Ball
Auxillary Box Lead Termination:	None	Pulley Face Code:	C-Face
Base Indicator:	Rigid	Pulley Shaft Indicator:	Tapped & Key
Bearing Grease Type:	Polyrex EM (-20F +300F)	Rodent Screen:	Included
Blower:	None	Shaft Extension Location:	Pulley End
Current @ Voltage:	14.000 A @ 230.0 V	Shaft Ground Indicator:	No Shaft Grounding

	14.700 A @ 208.0 V	<b>Shaft Rotation:</b>	Reversible
	28.000 A @ 115.0 V	<b>Shaft Slinger Indicator:</b>	Shaft Slinger
<b>Design Code:</b>	L	<b>Speed Code:</b>	Single Speed
<b>Drip Cover:</b>	No Drip Cover	<b>Motor Standards:</b>	NEMA
<b>Duty Rating:</b>	CONT	<b>Starting Method:</b>	Direct on line
<b>Electrically Isolated Bearing:</b>	Not Electrically Isolated	<b>Thermal Device - Bearing:</b>	NONE (OLD)
<b>Feedback Device:</b>	NO FEEDBACK	<b>Thermal Device - Winding:</b>	None
<b>Front Face Code:</b>	Standard	<b>Vibration Sensor Indicator:</b>	No Vibration Sensor
<b>Front Shaft Indicator:</b>	None	<b>Winding Thermal 1:</b>	None
<b>Heater Indicator:</b>	No Heater	<b>Winding Thermal 2:</b>	None

Nameplate NP1256L										
CAT.NO.	WCL1406T									
SPEC.	36E772-115									
HP	3									
VOLTS	115/230									
AMP	28/14									
RPM	3450									
FRAME	182TCZ				HZ	60			PH	1
SER.F.	1.15		CODE	G	DES	L		CLASS	F	
NEMA-NOM-EFF	78		PF	88						
RATING	40C AMB-CONT									
CC								USABLE AT 208V	14.7	
DE	6207			ODE	6205					
ENCL	OPEN		SN							

Parts List		
Part Number	Description	Quantity
SA034722	SA 36E772-115	1.000 EA
RA030750	RA 36E772-115	1.000 EA
36CB3004	36 CB CASTING W/1.09 DIA LEAD HOLE @ 6:0	1.000 EA
51XB1016A08	10-16X 1/2HXWSSLD SERTYB	2.000 EA
11XW1032G06	10-32 X .38, TAPTITE II, HEX WSHR SLTD U	1.000 EA
HW3001B01	BRASS CUP WASHER, FOR #10 SCREW	1.000 EA
36FE3200A25	FREP ASSEMBLY FOR ROUTING PURPOSES	1.000 EA
HW4500A01	1641B(ALEMITE)400 UNIV, GREASE FITT	1.000 EA
HW4500A17	317400 ALEMITE GREASE RELIEF	1.000 EA
HA1103A08	RODENT SCREEN, 36 FRAME, OPEN, FRONT END	1.000 EA
51XW1032A06	10-32 X .38, TAPTITE II, HEX WSHR SLTD S	4.000 EA
HW1000A10	#10 FLAT WASHER (SAE)	4.000 EA
SP1008A01	BAFFLE, MODEL 36 & 37	1.000 EA
13XF0832A08	8-32 X.50 PAN HD,SLTD, TYPE F SCREW, ZIN	2.000 EA
35CB4802A02SP	CAPACITOR COVER, STAMPED X	1.000 EA
51XB1016A05	10-16X5/16HX WA SL SR TYB (F/S)	2.000 EA
HW5100A05	WVY WSHR F/205 & 304 BRGS	1.000 EA
36EP1206A15	PU ENDPLATE, MACH	1.000 EA
HW4500A01	1641B(ALEMITE)400 UNIV, GREASE FITT	1.000 EA
HW4500A17	317400 ALEMITE GREASE RELIEF	1.000 EA
36AD2000	AIR BAFFLE	1.000 EA
85XU0407S04	4X1/4 U DRIVE PIN STAINLESS	4.000 EA
HA1102A09	RODENT SCREEN 36 OPEN FAC	2.000 EA
51XW1032A06	10-32 X .38, TAPTITE II, HEX WSHR SLTD S	4.000 EA

Parts List (continued)		
Part Number	Description	Quantity
HW1000A10	#10 FLAT WASHER (SAE)	4.000 EA
10XN2520A26	1/4-20X 1 5/8 HEX HD	4.000 EA
HW1001A25	LOCKWASHER 1/4, ZINC PLT .493 OD, .255 I	4.000 EA
36CB4516	36 LIPPED CB LID - GALVANNEAL	1.000 EA
51XW0832A07	8-32 X .44, TAPTITE II, HEX WSHR SLTD SE	4.000 EA
80XN1032A06	10-32 X 3/8 SET SC HEX SOCK	1.000 EA
HA2009A01	36-4613 SL ANOD. ALUM (STER	1.000 EA
HW2501D13	KEY, 3/16 SQ X 1.375	1.000 EA
HA7000A01	KEY RETAINER 7/8" DIA SHAFT	1.000 EA
85XU0407S04	4X1/4 U DRIVE PIN STAINLESS	2.000 EA
WD1000A15	3-520132-2 AMP FLAG (4M/RL NON-CANC/NON-	2.000 EA
MJ1000A02	GREASE, POLYREX EM EXXON (USe 4824-15A)	0.050 LB
MG1000G27	MED CHARCOAL METALLIC GREY 400-0096	0.022 GA
EC1850A06SP	ELEC CAP 115V 2.0 X 4.3 X	1.000 EA
HA3101A25	THRUBOLT 1/4-20 X 11.000 OHIO ROD	4.000 EA
SP5172A09	37 TYPE L TORQ STAT SWITCH LEAD ASSEMBLY	1.000 EA
LC0001A01	CONN LABEL / WARNING LABEL (LC0001 / LB1	1.000 EA
NP1256L	ALUM UL CSA CC INDUSTRIAL MOTOR A60	1.000 EA
G0PA1000	PKG GRP, PRINT PK1026A06	1.000 EA
MN416A01	TAG-INSTAL-MAINT no wire (1200/bx) 5/18	1.000 EA

**AC Induction Motor Performance Data**

Record # 61423 - Typical performance - not guaranteed values

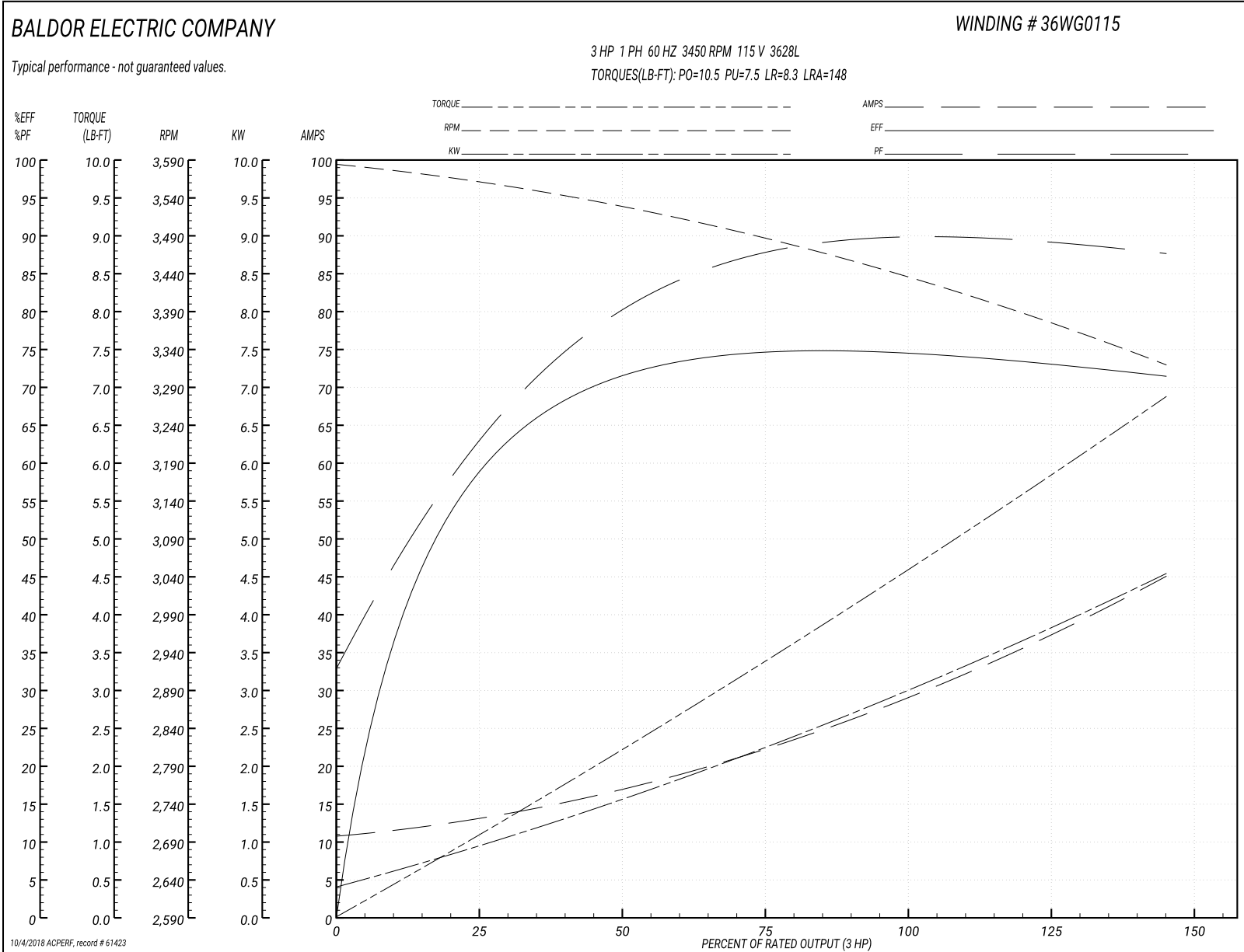
<b>Winding:</b> 36WG0115-R007	<b>Type:</b> 3628L	<b>Enclosure:</b> OPEN
-------------------------------	--------------------	------------------------

Nameplate Data				115 V, 60 Hz: Low Voltage Connection	
Rated Output (HP)	3			Full Load Torque	4.6 LB-FT
Volts	115/230			Start Configuration	direct on line
Full Load Amps	28/14			Breakdown Torque	10.5 LB-FT
R.P.M.	3450			Pull-up Torque	7.5 LB-FT
Hz	60	Phase	1	Locked-rotor Torque	8.3 LB-FT
NEMA Design Code	L	KVA Code	G	Starting Current	148 A
Service Factor (S.F.)	1.15			No-load Current	10.7 A
NEMA Nom. Eff.	78	Power Factor	88	Line-line Res. @ 25°C	0.178 Ω A Ph 0.907 Ω B Ph
Rating - Duty	40C AMB-CONT			Temp. Rise @ Rated Load	56°C
S.F. Amps				Temp. Rise @ S.F. Load	69°C
				Locked-rotor Power Factor	80.5
				Rotor inertia	0.126 LB-FT <sup>2</sup>

Load Characteristics 115 V, 60 Hz, 3 HP

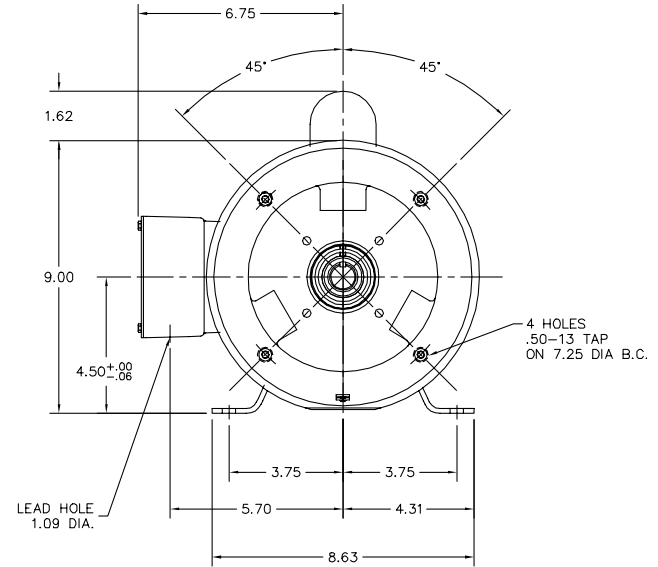
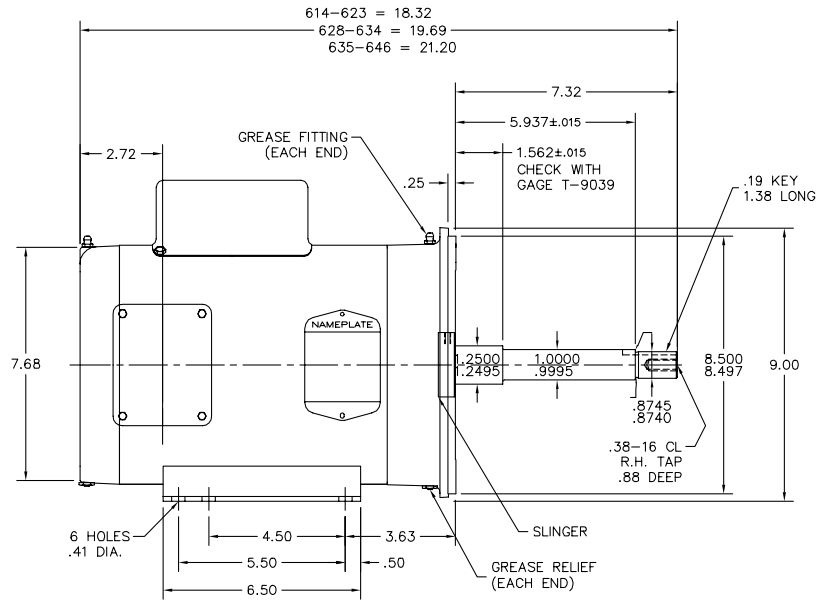
% of Rated Load	25	50	75	100	125	150	S.F.
Power Factor	66	81	87	90	89	88	89
Efficiency	58.1	70.7	74.6	75.2	73.9	70.9	74.4
Speed	3557	3522	3484	3439	3385	3314	3407
Line amperes	13.2	17.4	22.8	29	36.4	45.4	33.4

Performance Graph at 115V, 60Hz, 3.0HP Typical performance - Not guaranteed values





36LYE772



36LYE772

CUSTOMER IS RESPONSIBLE FOR DETERMINING THAT BALDOR'S PRODUCT WILL PERFORM SUITABLY IN THE INTENDED APPLICATION.

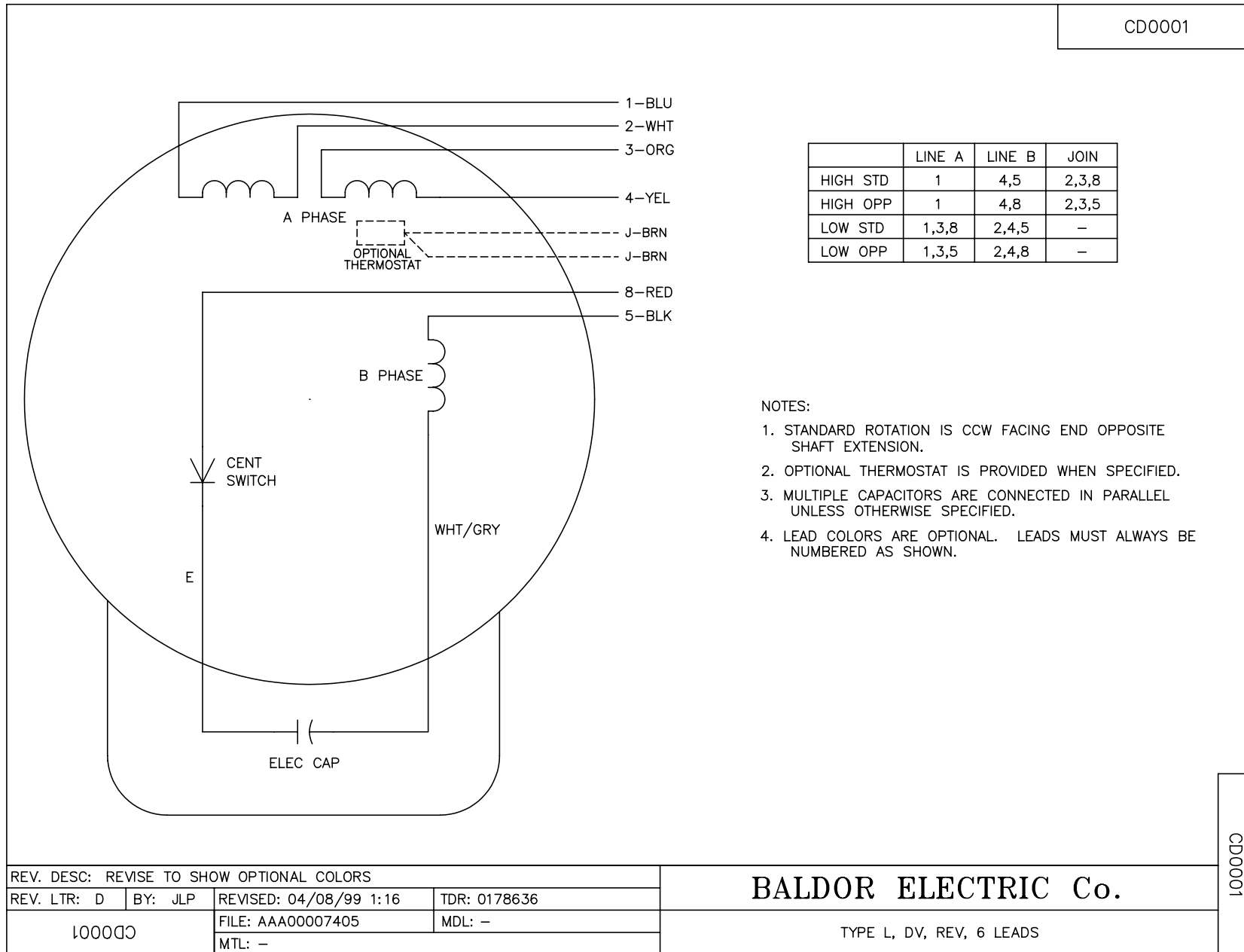
REV. DESC: CHANGE C-DIM	VERSION: 02	TDR: 000000820856
REV. LTR: K	REVISED: 04:17:08 10/03/2013	BY: ENKANVO
FILE: \AAA\00013\528		
MTL: -		

**BALDOR**

HORZ 182-4TCZ OPEN 36L W/SCREENS

SH 1 of 1

CD0001



REV. DESC: REVISE TO SHOW OPTIONAL COLORS			
REV. LTR: D	BY: JLP	REVISED: 04/08/99 1:16	TDR: 0178636
100000		FILE: AAA00007405	MDL: -
		MTL: -	

**BALDOR ELECTRIC Co.**

TYPE L, DV, REV, 6 LEADS

CD0001