



WORLDWIDE ELECTRIC MOTOR DATA SHEET



WPMDC12-18-24V-56CB

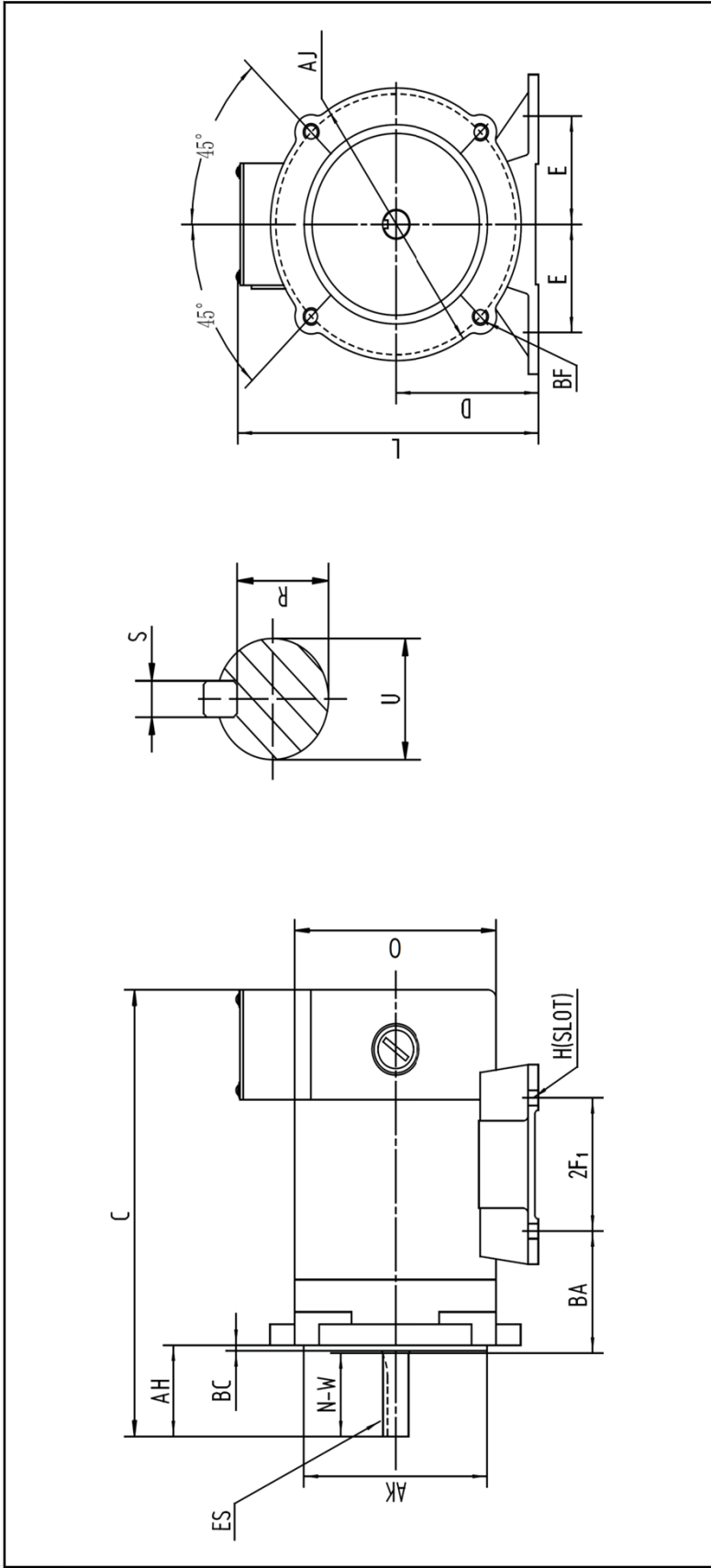
HP	1/2
RPM / POLES	1800 / 4
ARMATURE VOLTAGE	24 V
FRAME	56C
ENCLOSURE	TENV
ARMATURE FULL LOAD AMPS	20.0 A
FULL LOAD TORQUE	1.46 LB. FT.
FORM FACTOR	1.35
SERVICE FACTOR	1.0
INSULATION CLASS	F
AMBIENT TEMP.	40° C
BASE TYPE	C-FACE - REMOVABLE
SHAFT	KEYED
DE BEARING	6203
ODE BEARING	6203
MOUNTING	F3
ROTATION	CW
WIRE TYPE	LOOSE WIRE
WIRE HOUSING	JUNCTION BOX
APPROX. WEIGHT	22 LBS.
FL EFFICIENCY	78.0%



REVISED - 01/01/11



WORLDWIDE ELECTRIC MOTOR DRAWING
WPMDC12-18-24V-56CB



MOUNTING

E	E2	2F1	2F2	2F3	H	BA	C	D	L	O
2.44	---	3	---	---	0.34	2.75	10.94	3.5	7.63	4.94

KEY		KEYSEAT		FLANGE		SHAFT	
AH	BC	ES	S	R	AJ	AK	N-W
2.06	0.12	1.41	0.188	0.517	5.875	4.5	1.88
							0.625

ALL DIMENSIONS IN INCHES