



# WORLDWIDE ELECTRIC MOTOR DATA SHEET

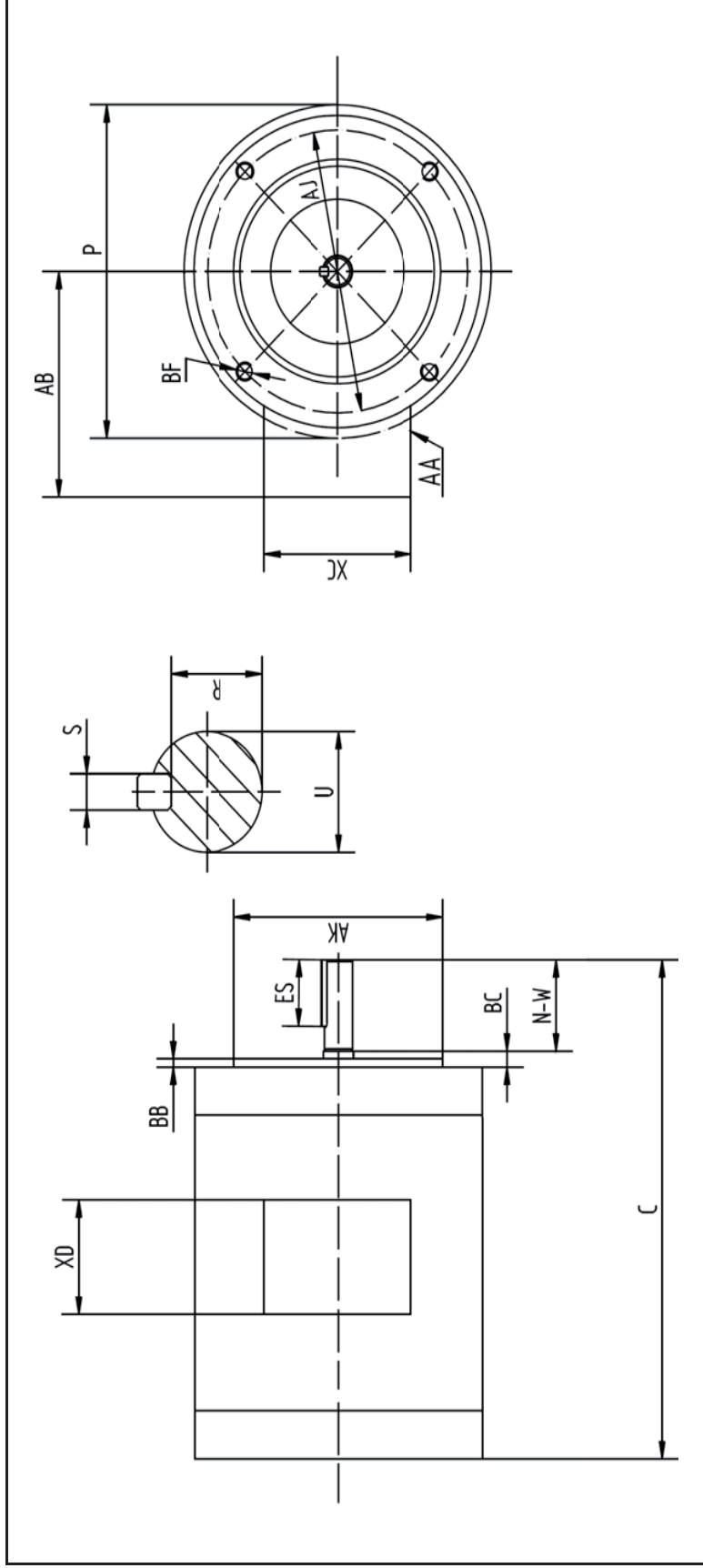


## WSSNV1-18-56CRD

HP	1
RPM / POLES	1800 / 4
VOLTAGE / PHASE	230 / 460 V / 3
FRAME	56C
ENCLOSURE	TENV
FREQUENCY	60 HZ
RATED SPEED	1740 RPM
FULL LOAD AMPS	3.2 / 1.6 A
DUTY CYCLE	CONTINUOUS
SERVICE FACTOR	1.15
INSULATION CLASS	F
RATED TORQUE	3.0 LB. FT.
LOCKED ROTOR TORQUE	240%
BREAKDOWN TORQUE	331%
LOCKED ROTOR AMPS (STARTING)	19.6 / 9.8 A
NO LOAD CURRENT	1.22 / 0.61 A
BASE TYPE	C-FACE - ROUND BODY
SHAFT	KEYED
DE BEARING	6205 DDU
ODE BEARING	6205 DDU
MOUNTING	F1
ROTATION	CW / CCW
OVERLOAD	---
START CAPACITOR	---
RUN CAPACITOR	---
WIRE TYPE	LOOSE WIRE
WIRE HOUSING	JUNCTION BOX
ROTOR INERTIA	0.09150 LB. FT. <sup>2</sup>
SHAFT MATERIAL	304 STAINLESS STEEL
CONNECTION DIAGRAM	230 / 460 V - 9 LEAD Y
APPROX. WEIGHT	36 LBS.
POWER FACTOR	0.78
FL EFFICIENCY	84.0%



WORLDWIDE ELECTRIC MOTOR DRAWING  
**WSSNV1-18-56CRD**



C	P	KEY			KEYSEAT		
		AA	AB	BC	ES	S	R
10.59	6.5	0.86	5.75	0.19	1.41	0.188	0.517

FLANGE		SHAFT		TERMINAL BOX	
AJ	AK	BB	N-W	XC	XD
5.875	4.5	0.16	1.88	4.72	3.8

ALL DIMENSIONS IN INCHES