



# WORLDWIDE ELECTRIC MOTOR DATA SHEET

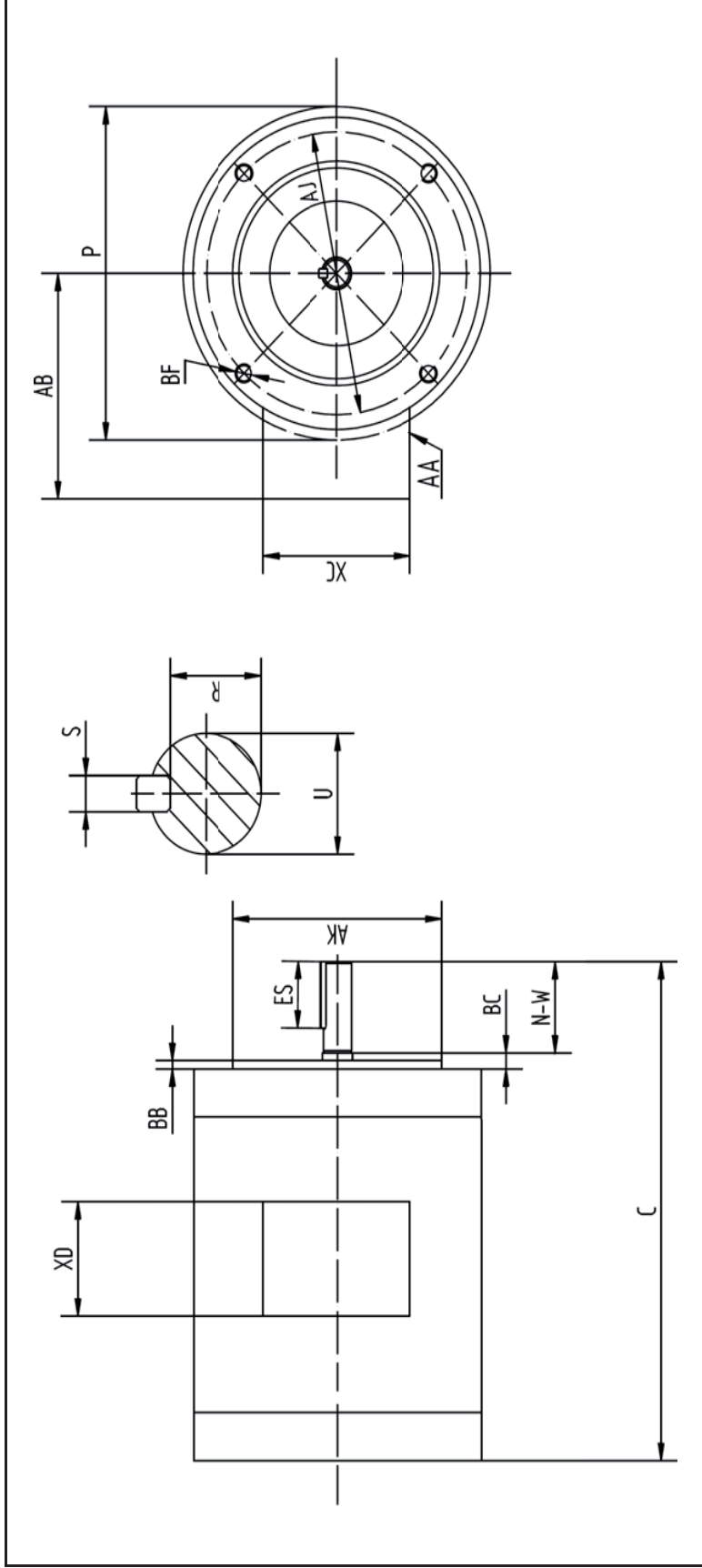


## WSSNV12-18-56CRD

HP	1/2
RPM / POLES	1800 / 4
VOLTAGE / PHASE	230 / 460 V / 3
FRAME	56C
ENCLOSURE	TENV
FREQUENCY	60 HZ
RATED SPEED	1725 RPM
FULL LOAD AMPS	1.5 / 0.75 A
DUTY CYCLE	CONTINUOUS
SERVICE FACTOR	1.15
INSULATION CLASS	F
RATED TORQUE	1.5 LB. FT.
LOCKED ROTOR TORQUE	250%
BREAKDOWN TORQUE	347%
LOCKED ROTOR AMPS (STARTING)	9.6 / 4.8 A
NO LOAD CURRENT	0.6 / 0.3 A
BASE TYPE	C-FACE - ROUND BODY
SHAFT	KEYED
DE BEARING	6205 DDU
ODE BEARING	6205 DDU
MOUNTING	F1
ROTATION	CW / CCW
OVERLOAD	---
START CAPACITOR	---
RUN CAPACITOR	---
WIRE TYPE	LOOSE WIRE
WIRE HOUSING	JUNCTION BOX
ROTOR INERTIA	0.09290 LB. FT. <sup>2</sup>
SHAFT MATERIAL	304 STAINLESS STEEL
CONNECTION DIAGRAM	230 / 460 V - 9 LEAD Y
APPROX. WEIGHT	31 LBS.
POWER FACTOR	0.76
FL EFFICIENCY	82.5%



WORLDWIDE ELECTRIC MOTOR DRAWING  
**WSSNV12-18-56CRD**



		KEY		KEYSEAT	
<b>C</b>	<b>P</b>	<b>AA</b>	<b>AB</b>	<b>ES</b>	<b>S</b>
9.8	6.5	0.86	5.75	1.41	0.188
					0.517

		SHAFT		TERMINAL BOX	
<b>AJ</b>	<b>AK</b>	<b>BB</b>	<b>N-W</b>	<b>U</b>	<b>XC</b>
5.875	4.5	0.16	1.88	0.625	4.72
					<b>XD</b>
					3.8

ALL DIMENSIONS IN INCHES