



WORLDWIDE ELECTRIC MOTOR DATA SHEET

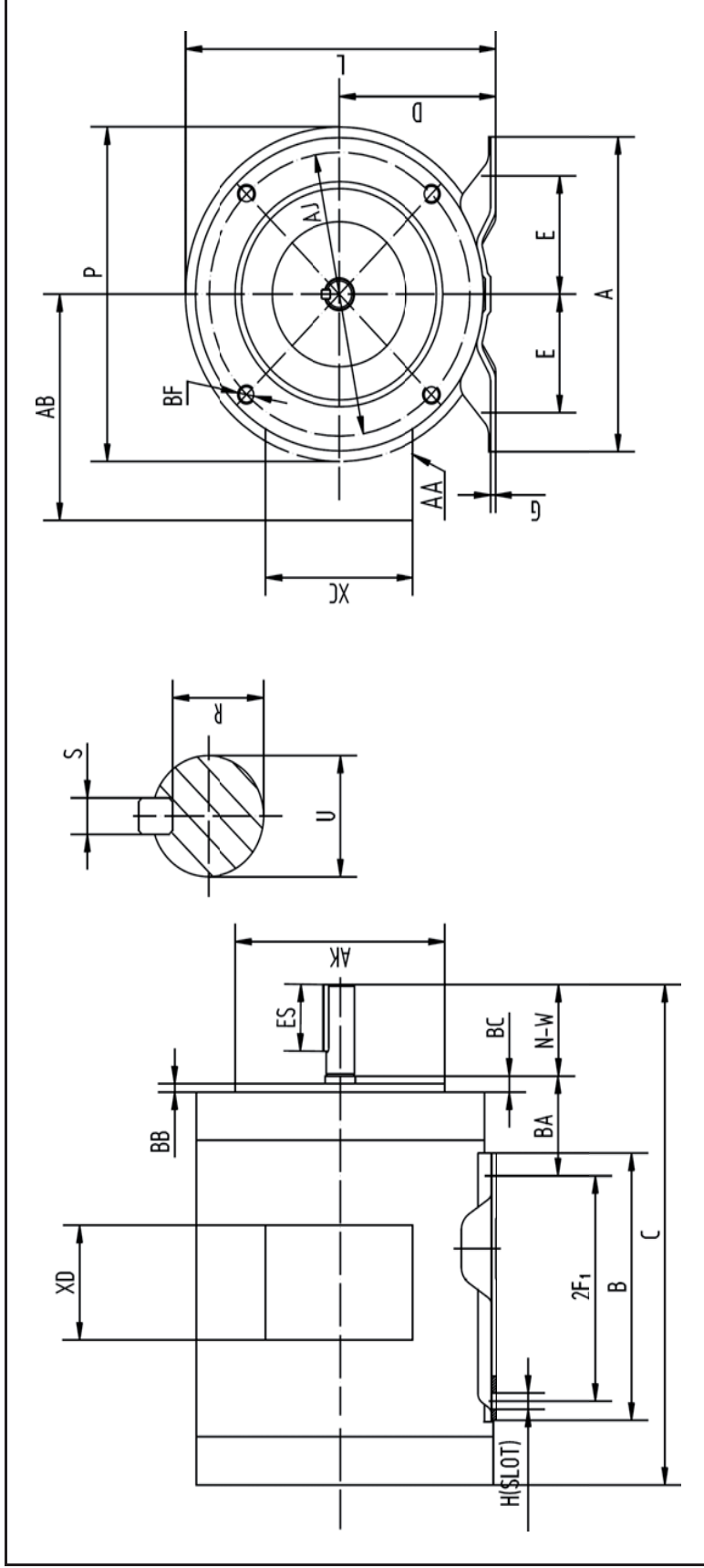


WSSNV13-18-56CB

HP	1/3
RPM / POLES	1800 / 4
VOLTAGE / PHASE	230 / 460 V / 3
FRAME	56C
ENCLOSURE	TENV
FREQUENCY	60 HZ
RATED SPEED	1725 RPM
FULL LOAD AMPS	1.4 / 0.7 A
DUTY CYCLE	CONTINUOUS
SERVICE FACTOR	1.15
INSULATION CLASS	F
RATED TORQUE	1.0 LB. FT.
LOCKED ROTOR TORQUE	288%
BREAKDOWN TORQUE	388%
LOCKED ROTOR AMPS (STARTING)	7.4 / 3.7 A
NO LOAD CURRENT	0.58 / 0.29 A
BASE TYPE	C-FACE - RIGID
SHAFT	KEYED
DE BEARING	6205 DDU
ODE BEARING	6205 DDU
MOUNTING	F1
ROTATION	CW / CCW
OVERLOAD	---
START CAPACITOR	---
RUN CAPACITOR	---
WIRE TYPE	LOOSE WIRE
WIRE HOUSING	JUNCTION BOX
ROTOR INERTIA	0.07160 LB. FT. ²
SHAFT MATERIAL	304 STAINLESS STEEL
CONNECTION DIAGRAM	230 / 460 V - 9 LEAD Y
APPROX. WEIGHT	28 LBS.
POWER FACTOR	0.71
FL EFFICIENCY	82.5%



WORLDWIDE ELECTRIC MOTOR DRAWING
WSSNV13-18-56CB



MOUNTING	
E	2F1
2.44	3
H	0.34
BA	2.75

A	6.5
B	5
C	9.8
D	3.5
G	0.12
L	6.75
P	6.5
AA	0.86
AB	5.75

KEY	
ES	1.41
S	0.188
R	0.517

FLANGE	
AJ	5.875
AK	4.5
BB	0.16
BF	3/8-16
N-W	1.88
U	0.625

SHAFT	
N-W	1.88
U	0.625

TERMINAL BOX	
XC	4.72
XD	3.8

ALL DIMENSIONS IN INCHES