

BALDOR® • RELIANCE 

Product Information Packet

YPC244A

.33HP, 1625RPM, 1PH, 60HZ, 48YZ, 3411C, TEAO, F

Part Detail							
Revision:	E	Status:	PRD/A	Change #:		Proprietary:	No
Type:	AC	Elec. Spec:	34WGR235	CD Diagram:	CD0798	Mfg Plant:	
Mech. Spec:	34M195	Layout:	34LYM195	Poles:	04	Created Date:	10-17-2014
Base:	YP	Eff. Date:	07-19-2018	Leads:	5#18		

Specs			
Catalog Number:	YPC244A	KVA Code:	B
Enclosure:	TEAO	Lifting Lugs:	No Lifting Lugs
Frame:	48YZ	Locked Bearing Indicator:	No Locked Bearing
Frame Material:	Steel	Motor Lead Quantity/Wire Size:	5 @ 18 AWG
Output @ Frequency:	.330 HP @ 60 HZ	Motor Lead Exit:	Terminal Panel Or Lead Hole
Synchronous Speed @ Frequency:	1800 RPM @ 60 HZ	Motor Lead Termination:	None
Voltage @ Frequency:	115.0 V @ 60 HZ	Motor Type:	3411C
XP Class and Group:	None	Mounting Arrangement:	F1
XP Division:	Not Applicable	Power Factor:	96
Agency Approvals:	UR	Product Family:	General Purpose
	CSA	Pulley End Bearing Type:	Ball
Auxillary Box:	No Auxillary Box	Pulley Face Code:	Standard
Auxillary Box Lead Termination:	None	Pulley Shaft Indicator:	Standard
Base Indicator:	Yoke Pedestal	Rodent Screen:	None
Bearing Grease Type:	Polyrex EM (-20F +300F)	RoHS Status:	ROHS COMPLIANT
Blower:	None	Shaft Extension Location:	Pulley End
Current @ Voltage:	3.400 A @ 115.0 V	Shaft Ground Indicator:	No Shaft Grounding
Design Code:	-	Shaft Rotation:	Reversible: Connected Standard

Drip Cover:	No Drip Cover	Shaft Slinger Indicator:	Shaft Slinger
Duty Rating:	CONT	Speed Code:	Single Speed
Electrically Isolated Bearing:	Not Electrically Isolated	Motor Standards:	NEMA
Feedback Device:	NO FEEDBACK	Starting Method:	Direct on line
Front Face Code:	Terminal Panel	Thermal Device - Bearing:	NONE (OLD)
Front Shaft Indicator:	None	Thermal Device - Winding:	None
Heater Indicator:	No Heater	Vibration Sensor Indicator:	No Vibration Sensor
Insulation Class:	B	Winding Thermal 1:	Automatic Thermal Overload
Inverter Code:	Not Inverter	Winding Thermal 1 Location:	WG
		Winding Thermal 2:	None

Nameplate NP1257L	
CAT.NO.	YPC244A
SPEC.	34M195R235G1
HP	.33
VOLTS	115
AMP	3.4
RPM	1625
FRAME	48YZ
HZ	60
PH	1
SER.F.	1.00
CODE	B
DES	-
CL	B
NEMA-NOM-EFF	66
PF	96
RATING	40C AMB-CONT
CC	USABLE AT 208V
DE	6203
ODE	6203
ENCL	TEAO
SN	

Parts List		
Part Number	Description	Quantity
SA288558	SA 34M195R235G1	1.000 EA
RA274747	RA 34M195R235G1	1.000 EA
OC3020F12SP	CAPACITORS 20 MFD 370 VAC	1.000 EA
RM1001A01	GROMMET "MIDSTATES"	1.000 EA
WD4100A42	CAPLUG BPF-3/4, FOR 1/2" NPT OR 3/4 HOLE	1.000 EA
11XT0832G06	8-32 X 3/8 TY 23 TAPPING	1.000 EA
34EP3204D01	SPL FR ENDPLATE 34L - ENCL	1.000 EA
51XW0832A07	8-32 X .44, TAPTITE II, HEX WSHR SLTD SE	3.000 EA
HW5100A03	WAVY WASHER (W1543-017)	1.000 EA
33CB4800A02	CAPACITOR COVER, STAMPED	1.000 EA
35GS3001A02	GASKET, CA.COVER, 5.38 LONG .06 CS301	1.000 EA
34GS5003	OAM SLEEVE, ID = 2 1/16" X 3 3/8"	1.000 EA
51XB1016A05	10-16X5/16HX WA SL SR TYB (F/S)	2.000 EA
34EP3109D01	PU ENDPLATE, MACH ENCL, 5.125 B.C.	1.000 EA
XY0832A02	8-32 HEX NUT	4.000 EA
34CB4501SP	TERMINAL BOX LID, STAMPED X (PLATED)	1.000 EA
34GS1005	GASKET, TERM PLATE LID	1.000 EA
51XW0832A07	8-32 X .44, TAPTITE II, HEX WSHR SLTD SE	2.000 EA
HA1005A05SP	SLINGER, OD 1.50, ID .659, 203 BRG	1.000 EA
HW1000A08	#8 SAE FLAT WASHER	4.000 EA
MG1000G27	MED CHARCOAL METALLIC GREY 400-0096	0.014 GA
85XU0407S04	4X1/4 U DRIVE PIN STAINLESS	2.000 EA
WD1000A16	2-520128-2 AMP FLAG TERMINAL(4M/RL)	5.000 EA
SP5076SP	MODEL 34 TERMINAL PANEL WITH QUICK CONNE	1.000 EA

Parts List (continued)		
Part Number	Description	Quantity
HA3169A25	THRUBOLT #8-32 THDS X 8.688" LONG	4.000 EA
LB1118	LABEL,WARNING (ROLL LABEL)	1.000 EA
LC0085	CONNECTION LABEL	1.000 EA
NP1257L	ALUM UL CSA CC THERMAL REV MTG	1.000 EA
MN416A01	TAG-INSTAL-MAINT no wire (1200/bx) 5/18	1.000 EA
ML14-8C18	18 AWG, 8,RED	10.000 IN
WD1000A16	2-520128-2 AMP FLAG TERMINAL(4M/RL)	2.000 EA
36PA1000	PKG GRP, PRINT PK1016A06	1.000 EA
PK3083T	STYROFOAM PACKING CRADLE	1.000 EA
PK3088	MICROFOAM, 8"X"8 PERF. SHEETS 5,400/RL	1.000 EA

AC Induction Motor Performance Data

Record # 51600 - Typical performance - not guaranteed values

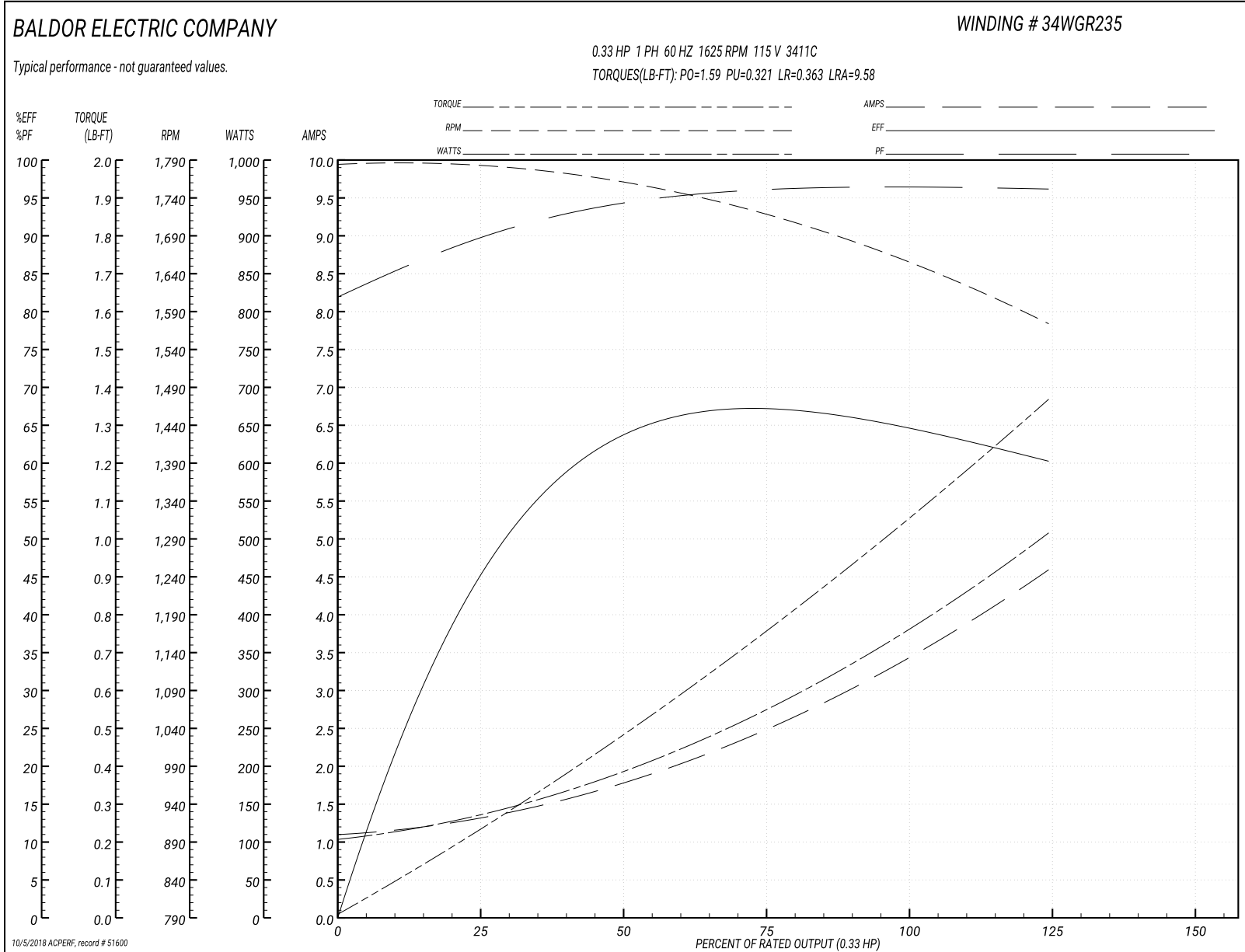
Winding: 34WGR235-R001	Type: 3411C	Enclosure: TEAO
-------------------------------	--------------------	------------------------

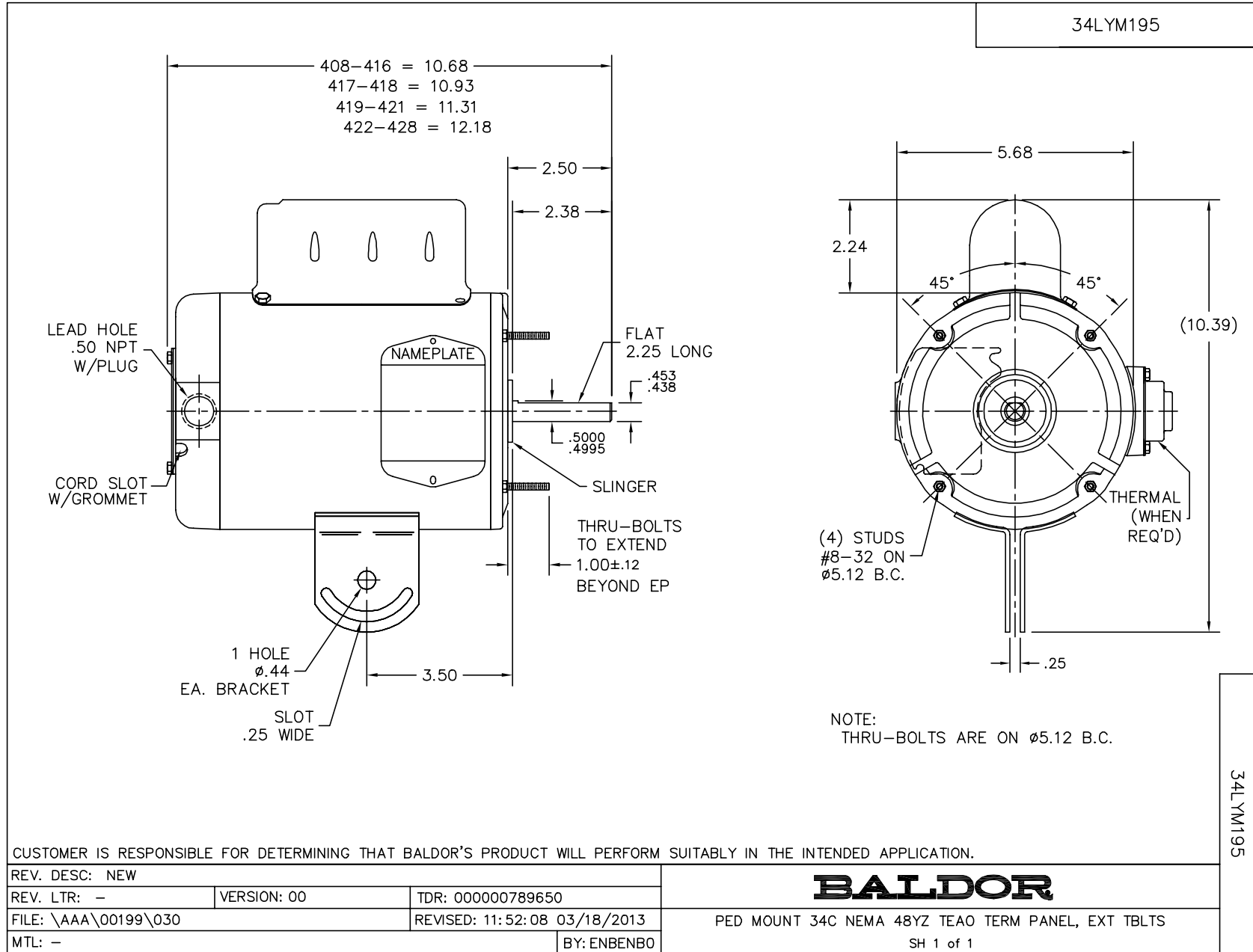
Nameplate Data				115 V, 60 Hz: Single Voltage Motor	
Rated Output (HP)	.33			Full Load Torque	1.07 LB-FT
Volts	115			Start Configuration	direct on line
Full Load Amps	3.4			Breakdown Torque	1.59 LB-FT
R.P.M.	1625			Pull-up Torque	0.321 LB-FT
Hz	60	Phase	1	Locked-rotor Torque	0.363 LB-FT
NEMA Design Code	-	KVA Code	B	Starting Current	9.58 A
Service Factor (S.F.)	1			No-load Current	1.01 A
NEMA Nom. Eff.	66	Power Factor	96	Line-line Res. @ 25°C	4.3109 Ω A Ph 10.741 Ω B Ph
Rating - Duty	40C AMB-CONT			Temp. Rise @ Rated Load	

Load Characteristics 115 V, 60 Hz, 0.33 HP

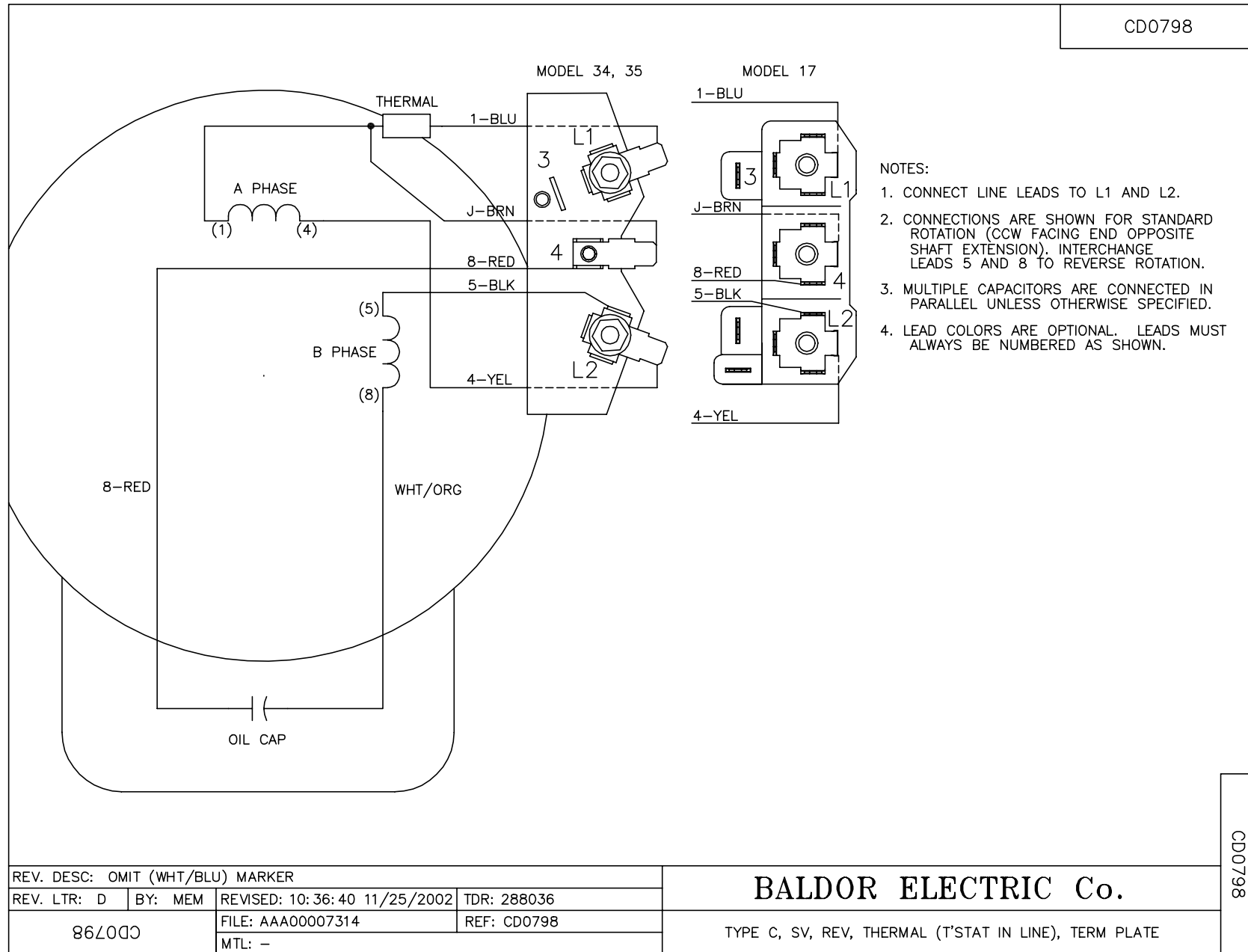
% of Rated Load	25	50	75	100	125	150
Power Factor	91	94	96	96	96	95
Efficiency	44.4	61.8	67.8	68.3	63.5	56.1
Speed	1769.3	1745.3	1714	1670.1	1610.8	1528.4
Line amperes	1.47	1.96	2.58	3.35	4.31	4.93

Performance Graph at 115V, 60Hz, 0.33HP Typical performance - Not guaranteed values





CD0798



CD0798

REV. DESC: OMIT (WHT/BLU) MARKER			
REV. LTR: D	BY: MEM	REVISED: 10:36:40 11/25/2002	TDR: 288036
86Z000		FILE: AAA00007314	REF: CD0798
		MTL: -	

BALDOR ELECTRIC Co.

TYPE C, SV, REV, THERMAL (T'STAT IN LINE), TERM PLATE