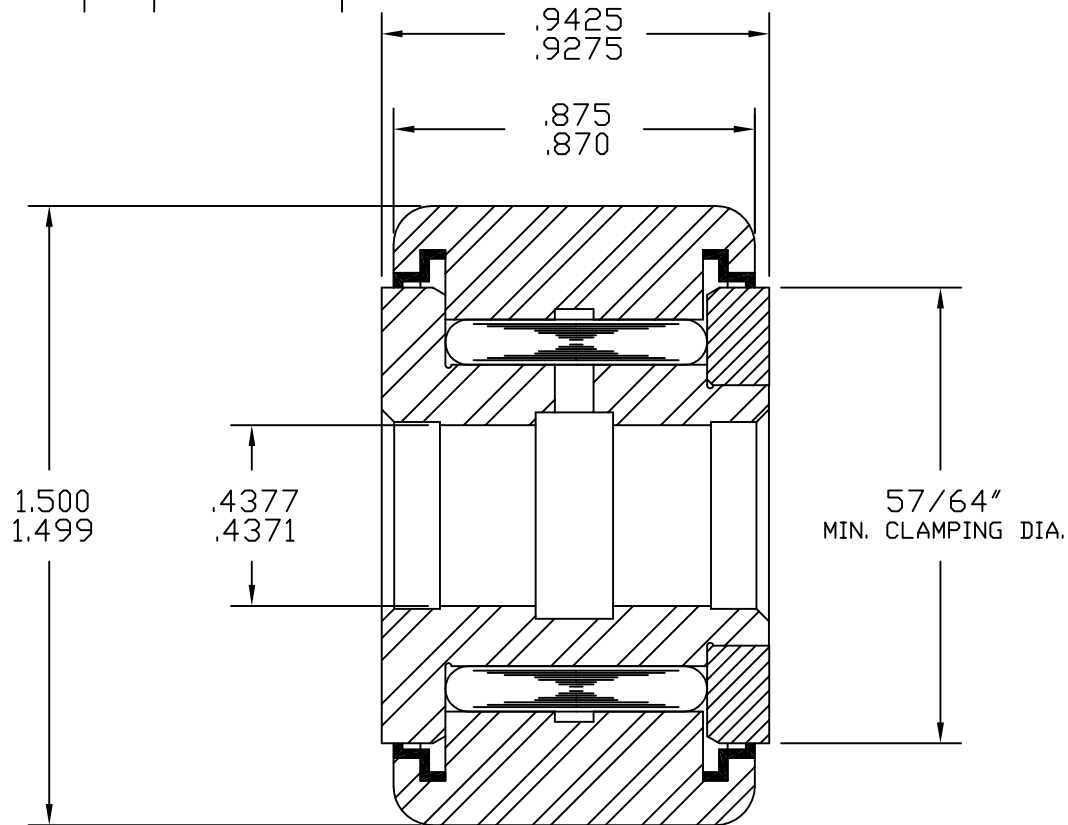


SYM	REVISION	BY	DATE
~	~	~	~

NOT TO SCALE



MATERIAL: STAINLESS STEEL, SEALS - ACETAL.
 BEARING PACKED WITH GENERAL PURPOSE EP GREASE.
 RELUBE PROVISIONS WILL ACCEPT 3/16" DRIVE TYPE
 FITTINGS, PLUGS SUPPLIED FOR UNUSED HOLES.

TOLERANCES			
UNLESS OTHERWISE NOTED			
FRACTIONS:	±.010	ANGLES:	±.5
2 PLACE DECIMALS (.00):	±.005		
3 PLACE DECIMALS (.000):	±.002		



ACCURATE BUSHING CO. INC.
 Manufacturers of SMITH® Bearing Product
 443 NORTH AVENUE
 Garwood, NJ 07027

PART NAME	STANDARD YOKE ROLLER		
PART NO.	YR-1-1/2-X-SS		
DRAWN BY	PDP	DATE	8-22-05
CHECKED BY		FILENAME	YRASSYS\1-1-2-X-SS