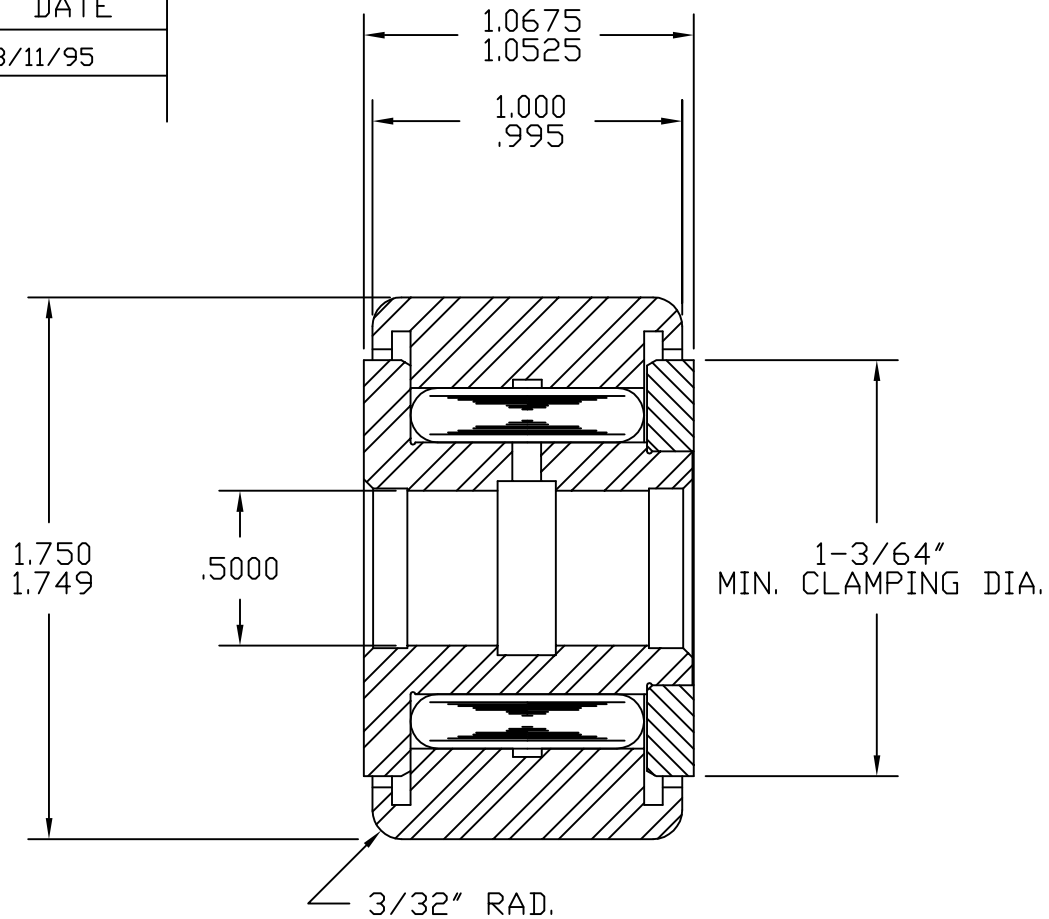


SYM	REVISION	BY	DATE
A	REVISED & REDRAWN	BSK	8/11/95

SCALE: 1.5x



BASIC DYNAMIC CAPACITY - 6070

MAT'L: ST'D BEARING STEELS.  
BEARING PACKED WITH GENERAL PURPOSE EP GREASE.

TOLERANCES			
UNLESS OTHERWISE NOTED			
FRACTIONS:	±.010	ANGLES:	±.5
2 PLACE DECIMALS (.00):	±.005		
3 PLACE DECIMALS (.000):	±.002		



**ACCURATE BUSHING CO. INC.**  
Manufacturers of SMITH® Bearing Product  
443 NORTH AVENUE  
Garwood, NJ 07027

PART NAME	STANDARD YOKE ROLLER		
PART NO.	YR-1-3/4		
DRAWN BY	BSK	DATE	8/11/95
CHECKED BY		FILENAME	\YRASSYS\1-3-4