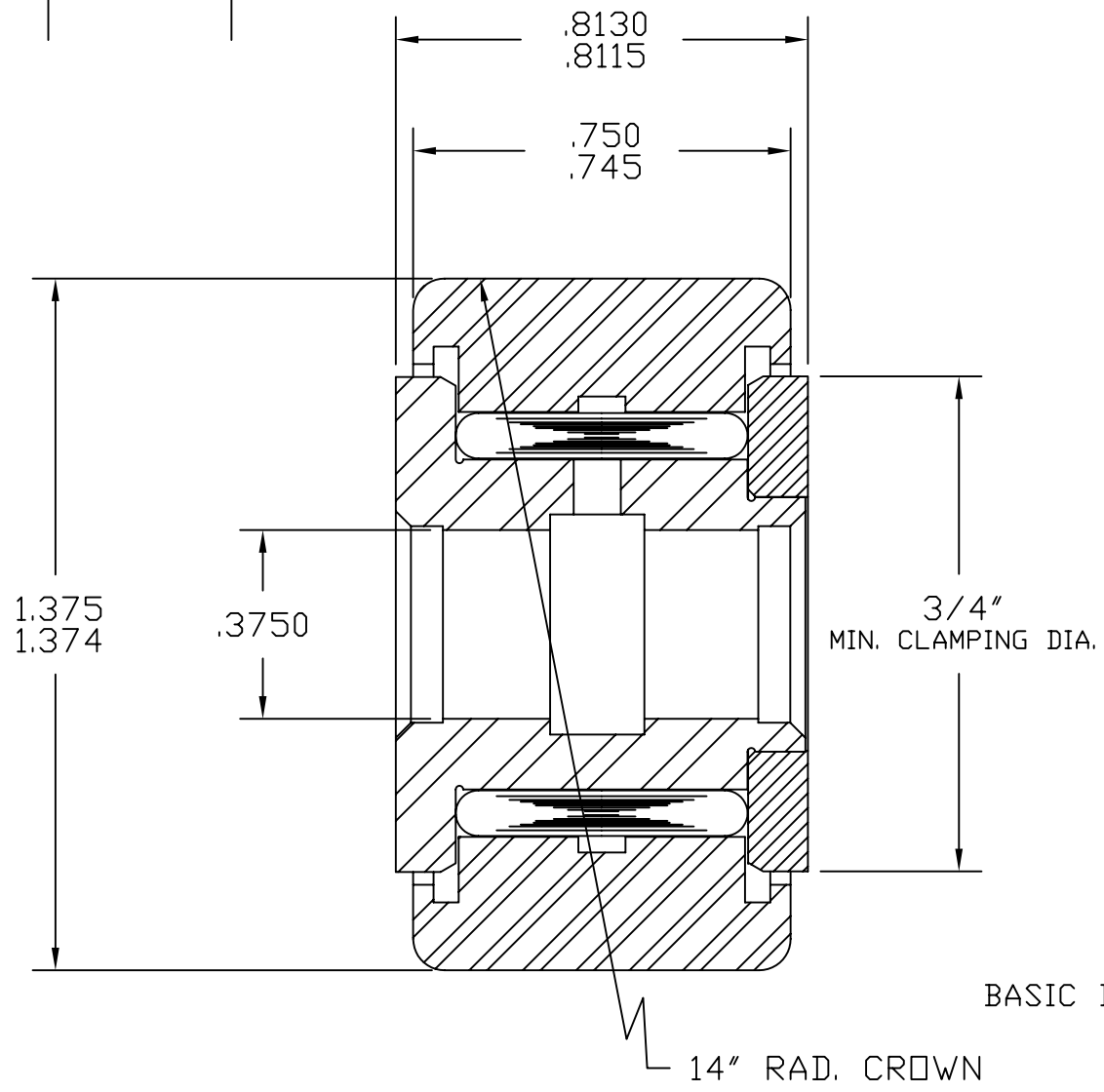


SYM	REVISION	BY	DATE
-----	----------	----	------

SCALE: ~



BASIC DYNAMIC CAPACITY - 3390

MAT'L: ST'D BEARING STEELS, SEALS - ACETAL.  
 BEARING PACKED WITH GENERAL PURPOSE EP GREASE.  
 RELUBE PROVISIONS THRU BORE.

TOLERANCES	
UNLESS OTHERWISE NOTED	
FRACTIONS: ±.010	ANGLES: ±.5
2 PLACE DECIMALS (.00): ±.005	
3 PLACE DECIMALS (.000): ±.002	



**ACCURATE BUSHING CO. INC.**  
 Manufacturers of SMITH® Bearing Product  
 443 NORTH AVENUE  
 Garwood, NJ 07027

PART NAME	STANDARD YOKE ROLLER		
PART NO.	YR-1-3/8-C		
DRAWN BY	JC	DATE	7/5/11
CHECKED BY		FILENAME	YRASSYS\1-3-8-C