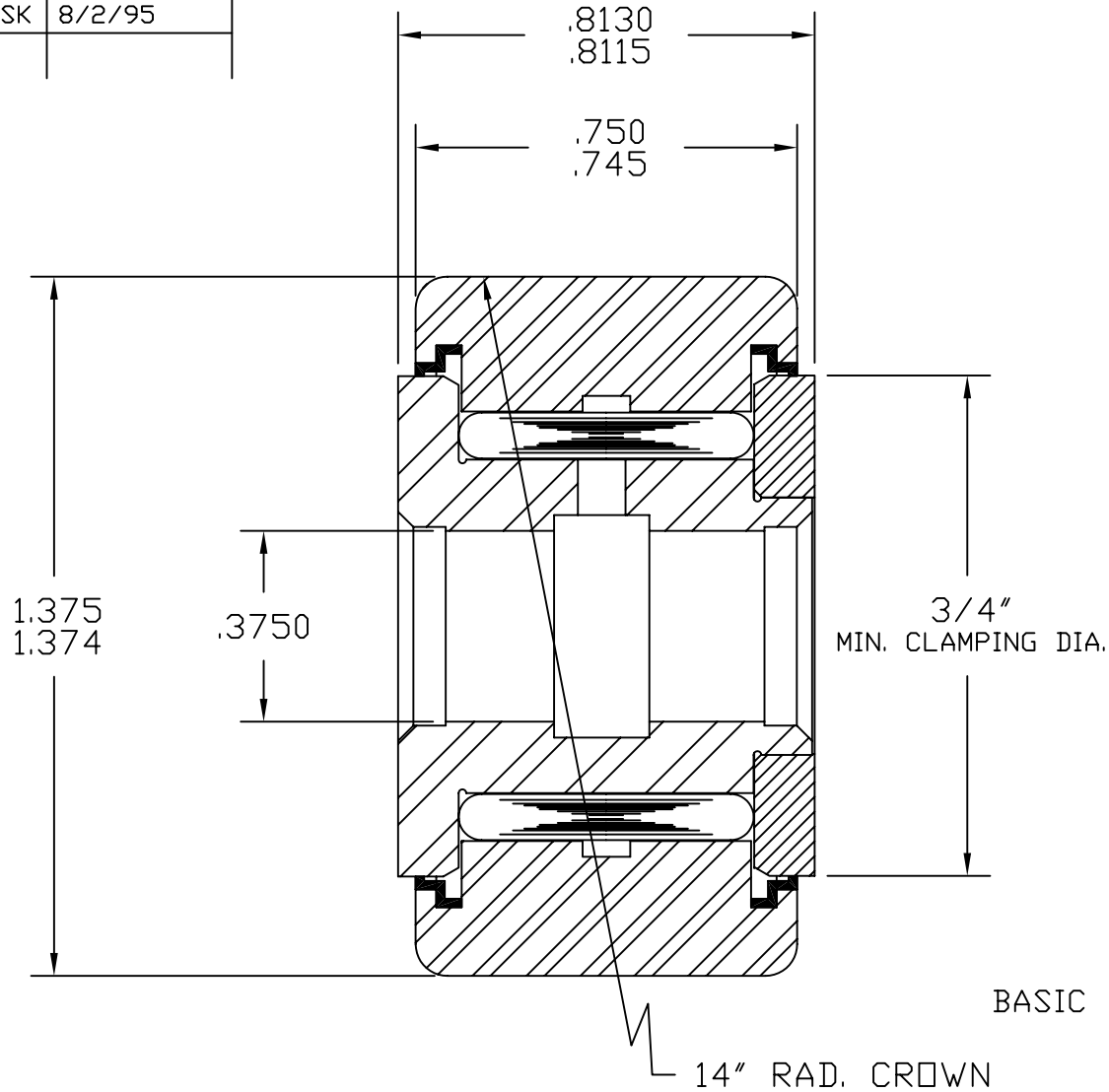


SYM	REVISION	BY	DATE
A	REVISED & REDRAWN	BSK	8/2/95

SCALE: ~



BASIC DYNAMIC CAPACITY - 3390

MAT'L: ST'D BEARING STEELS, SEALS - ACETAL.  
 BEARING PACKED WITH GENERAL PURPOSE EP GREASE.  
 RELUBE PROVISIONS THRU BORE.

TOLERANCES

UNLESS OTHERWISE NOTED  
 FRACTIONS: ±.010 ANGLES: ±.5  
 2 PLACE DECIMALS (.00): ±.005  
 3 PLACE DECIMALS (.000): ±.002



**ACCURATE BUSHING CO. INC.**  
 Manufacturers of SMITH® Bearing Product  
 443 NORTH AVENUE  
 Garwood, NJ 07027

PART NAME	STANDARD YOKE ROLLER		
PART NO.	YR-1-3/8-XC		
DRAWN BY	BSK	DATE	8/2/95
CHECKED BY		FILENAME	\YRASSYS\1-3-8-XC