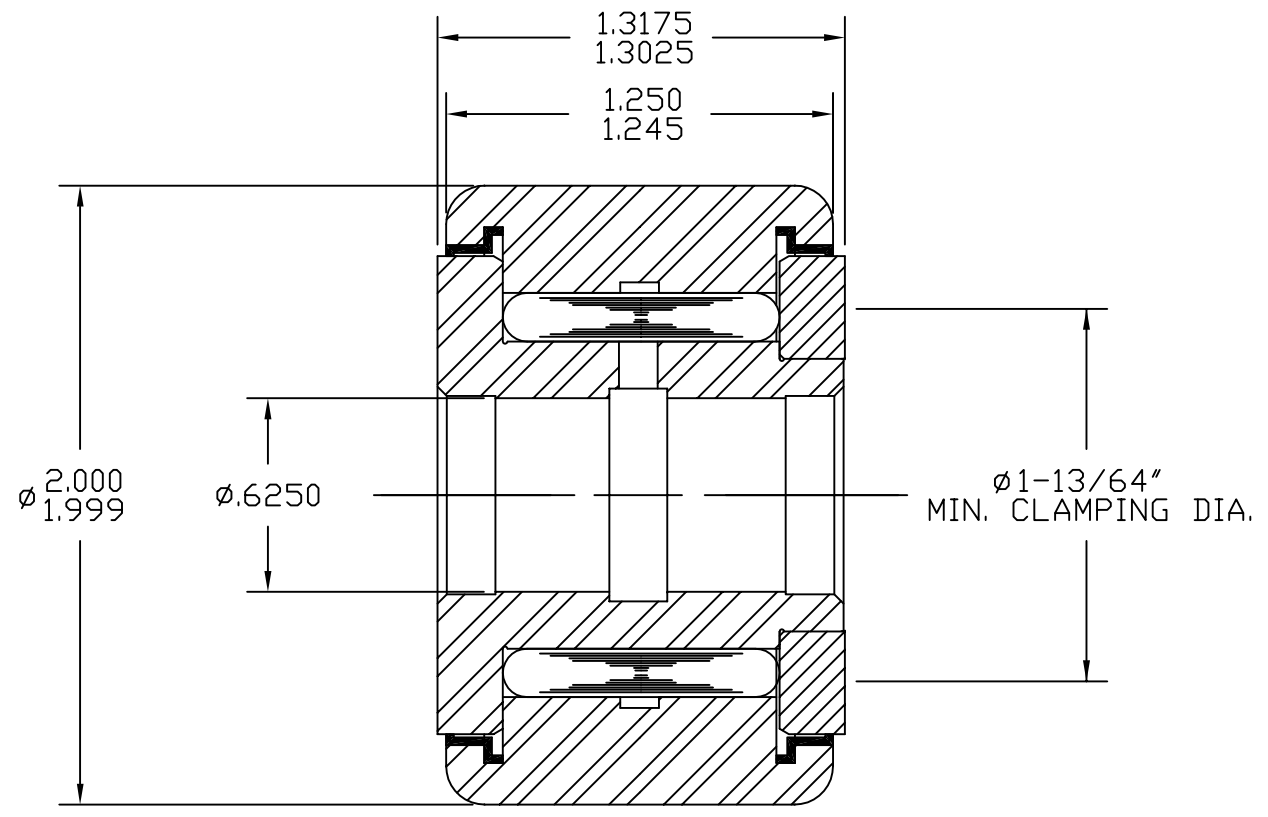


SYM	REVISION	BY	DATE
~	~	~	~

SCALE: ACTUAL



MAT'L: INNER RACE, OUTER RACE, AND ENDWASHER
 STAINLESS STEEL PER AMS 5630 (440-C), Rc 55-58
 ROLLS - 52100 BEARING STEEL, Rc 58-62
 SEALS - ACETAL

BEARING PACKED WITH GENERAL PURPOSE EP GREASE.

TOLERANCES	
UNLESS OTHERWISE NOTED	
FRACTIONS: ±.010	ANGLES: ±.5
2 PLACE DECIMALS (.00): ±.005	
3 PLACE DECIMALS (.000): ±.002	



ACCURATE BUSHING CO. INC.
 Manufacturers of SMITH® Bearing Product
 443 NORTH AVENUE
 Garwood, NJ 07027

PART NAME	STAINLESS STEEL YOKE ROLLER		
PART NO.	YR-2-X-SS		
DRAWN BY	JC	DATE	4/15/08
CHECKED BY		FILENAME	YRASSYS\2-X-SS