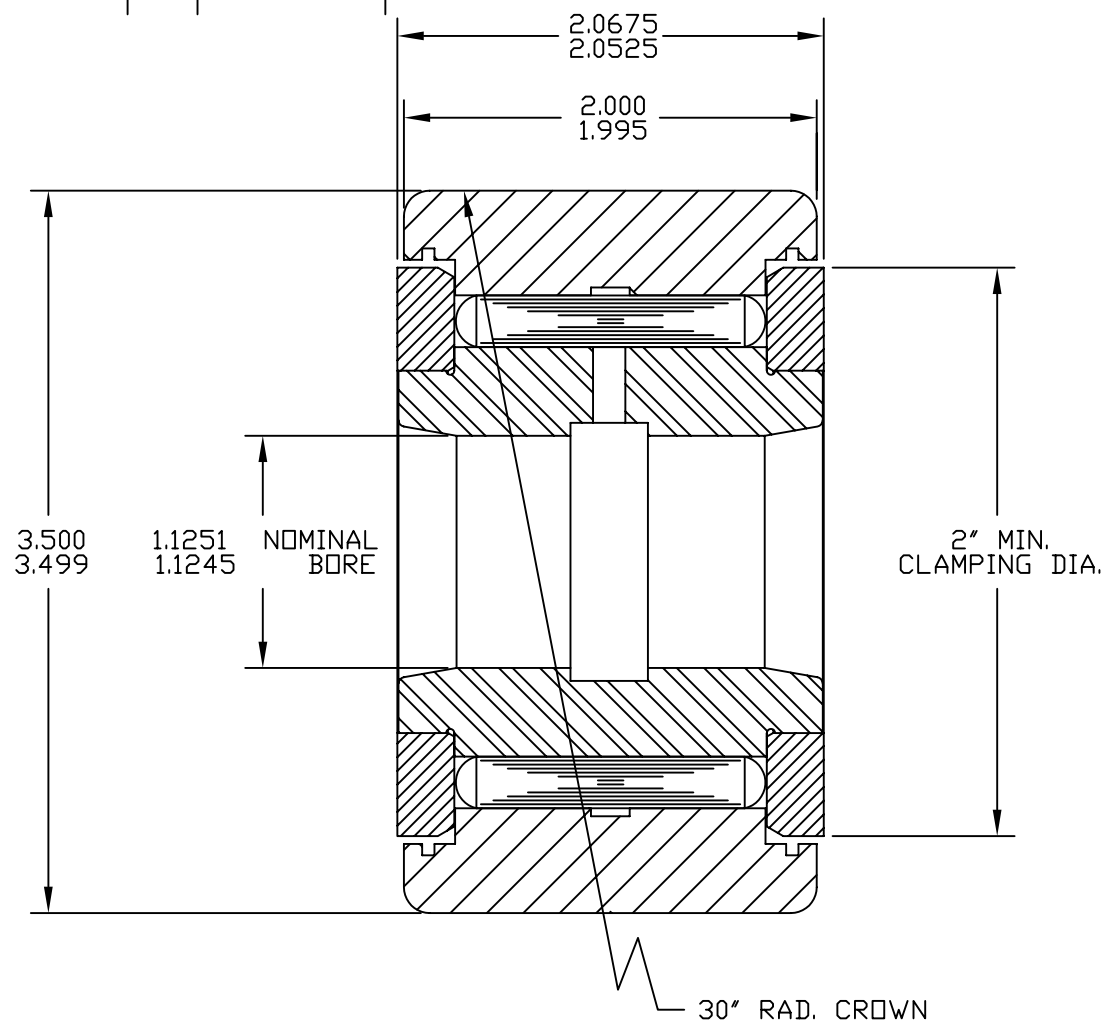


SYM	REVISION	BY	DATE
-----	----------	----	------

SCALE: ~



BASIC DYNAMIC CAPACITY - 22050

MAT'L: ST'D BEARING STEELS, SEALS-ACETAL.  
 BEARING PACKED WITH GENERAL PURPOSE EP GREASE.

TOLERANCES			
UNLESS OTHERWISE NOTED			
FRACTIONS:	±.010	ANGLES:	±.5
2 PLACE DECIMALS (.00):	±.005		
3 PLACE DECIMALS (.000):	±.002		



**ACCURATE BUSHING CO. INC.**  
 Manufacturers of SMITH® Bearing Product  
 443 NORTH AVENUE  
 Garwood, NJ 07027

PART NAME	STANDARD CAM FOLLOWER		
PART NO.	YR-3-1/2-C		
DRAWN BY	JC	DATE	7/5/11
CHECKED BY		FILENAME	YRASSYM\3-1-2-C