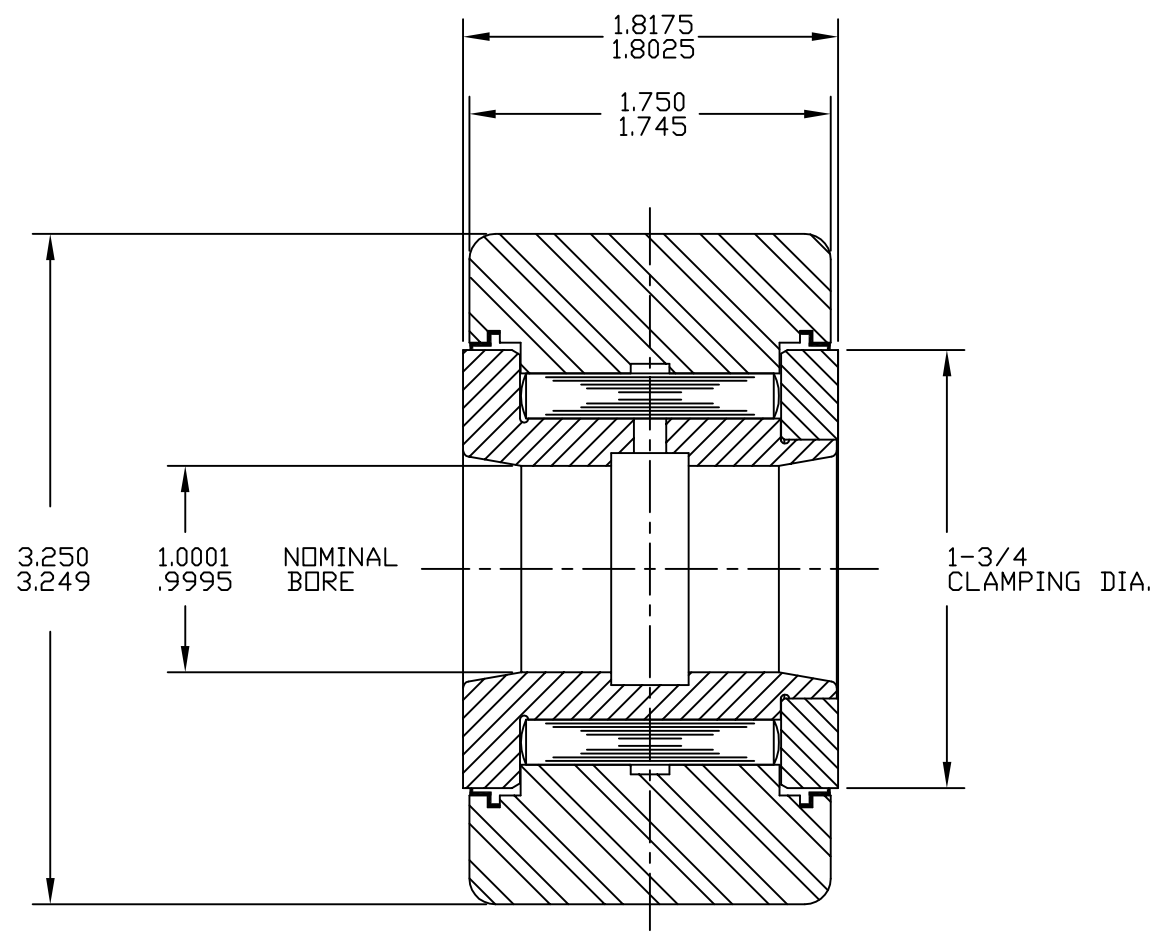


SYM	REVISION	BY	DATE
A	REVISED & REDRAWN	BSK	05/20/96

SCALE: FULL



BASIC DYNAMIC CAPACITY - 14980

MAT'L: ST'D BEARING STEELS, SEALS - ACETAL.  
 BEARING PACKED WITH GENERAL PURPOSE EP GREASE.  
 RELUBE PROVISIONS WILL ACCEPT 1/4" DRIVE TYPE  
 FITTINGS, PLUGS SUPPLIED FOR UNUSED HOLES.

TOLERANCES	
UNLESS OTHERWISE NOTED	
FRACTIONS:	±.010
ANGLES:	±.5
2 PLACE DECIMALS (.00):	±.005
3 PLACE DECIMALS (.000):	±.002



**ACCURATE BUSHING CO. INC.**  
 Manufacturers of SMITH® Bearing Product  
 443 NORTH AVENUE  
 Garwood, NJ 07027

PART NAME	STANDARD CAM FOLLOWER		
PART NO.	YR-3-1-4-X		
DRAWN BY	BSK	DATE	05/20/96
CHECKED BY		FILENAME	YRASSYS/3-1-4-X

YR-3-1-4-X