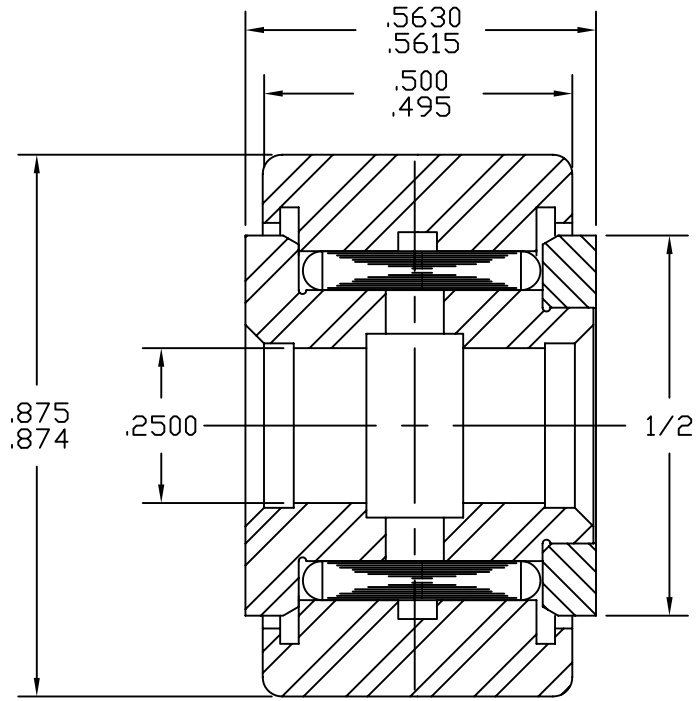


SYM	REVISION	BY	DATE
A	REVISED & REDRAWN	BSK	7/18/95

SCALE: ~



BASIC DYNAMIC CAPACITY - 1540

MAT'L: ST'D BEARING STEELS.
 BEARING PACKED WITH GENERAL PURPOSE EP GREASE.
 RELUBE PROVISIONS THRU BORE.

<u>TOLERANCES</u>	
UNLESS OTHERWISE NOTED	
FRACTIONS: ±.010	ANGLES: ±.5
2 PLACE DECIMALS (.00): ±.005	
3 PLACE DECIMALS (.000): ±.002	



ACCURATE BUSHING CO. INC.
 Manufacturers of SMITH® Bearing Product
 443 NORTH AVENUE
 Garwood, NJ 07027

PART NAME	STANDARD CAM FOLLOWER		
PART NO.	YR-7/8		
DRAWN BY	BSK	DATE	7/18/95
CHECKED BY		FILENAME	\YRASSYS\7/8