

**BALDOR® • RELIANCE** 

**Product Information Packet**

**ZDBRPM25754**

**75HP, 1750RPM, 3PH, 60HZ, 2586, TEBC, FOOT**

Part Detail							
Revision:	A	Status:	PRD/A	Change #:		Proprietary:	No
Type:	AC	Elec. Spec:	L3272A	CD Diagram:	422927-001	Mfg Plant:	
Mech. Spec:		Layout:	617581-349	Poles:	04	Created Date:	04-10-2015
Base:		Eff. Date:	08-27-2015	Leads:			

Specs			
Catalog Number:	ZDBRPM25754		
Enclosure:	TEBC		
Frame:	FL2586Z		
Frame Material:	Exposed Laminations		
Output @ Frequency:	75.000 HP @ 60 HZ		
Synchronous Speed @ Frequency:	1800 RPM @ 60 HZ		
Voltage @ Frequency:	460.0 V @ 60 HZ		
Agency Approvals:	CCSA US		
Auxillary Box:	No Auxillary Box		
Base Indicator:	Rigid		
Bearing Grease Type:	No Grease		
Current @ Voltage:	95.000 A @ 460.0 V		
Duty Rating:	CONT		
Feedback Device:	ENCODER		
Frame Prefix:	FL		
Heater Indicator:	No Heater		
Insulation Class:	H		
Mounting Arrangement:	F3		

<b>Product Family:</b>	General Industrial		
<b>Pulley End Bearing Type:</b>	Ball		
<b>Pulley Face Code:</b>	Standard		
<b>Shaft Ground Indicator:</b>	No Shaft Grounding		
<b>Shaft Rotation:</b>	Reversible		
<b>Motor Standards:</b>	NEMA		
<b>Thermal Device - Bearing:</b>	NONE (OLD)		
<b>Thermal Device - Winding:</b>	Normally Closed Thermostat		

Nameplate 000613006NS

	DUTY	HP	RPM	AMPS	VOLTS	HZ			
	CONT	75	1775	95	460	60			
	CONT	75	3545	88	460	120			
CAT.NO.	ZDBRPM25754		SPEC. NO.		P25T0315				
SER.NO.			FR	FL 2586Z	INSUL	H			
PH.	3		MAX SAFE SPEED	5000	AMB.	40			
DESIGN NO.	L3272A		TYPE		ENCL.	TEAO-BC			
S.F.	1.0		D.E. BRG.	65BC03JPP30A					
ENCL MOD			O.D.E. BRG.	50BC03JPP30A					
								MIN. AMB.	-25

Parts List		
Part Number	Description	Quantity
WS286694	WS P25T0315	1.000 EA
RA282902	RA P25T0315	1.000 EA
000613006NS	RPM AC WITH CERTIFIED LOGO	1.000 EA
000692000FP	NP, WARNING LIFT INSTRUCTIONS	1.000 EA
000692000NH	LABEL DIRECTION AIR FL	1.000 EA
000692000VD	LABEL WARNING	1.000 EA
418018122A	LABEL	2.000 EA
418056062B	NP AC BLOWER DATA	1.000 EA
418057747A	METAL FASTENER	8.000 EA
422927001	C/D LABEL	1.000 EA
036100080KA	M10-1.50X 80MM HXSOCHDCS	3.000 EA
036500010AB	METRIC NUT M10-1.5PLTD400	4.000 EA
036500010AB	METRIC NUT M10-1.5PLTD400	4.000 EA
036610010AB	MHSLW M10 PLATED	4.000 EA
400638001H	SPRING WASHER	1.000 EA
418057491A	LIFTING LUG	2.000 EA
HA4054	SHORT T-DRAIN FITTING, .125" N.P.T.	1.000 EA
HA4054	SHORT T-DRAIN FITTING, .125" N.P.T.	1.000 EA
609830005ABP	TBOLT	4.000 EA
807582003AAA	BRKT,DE,250AC UNFINISHED BRACKET	1.000 EA
807582004AAB	BRKT,ODE,L250	1.000 EA
032018004AK	HHCS 1/4-20X1/2 PLATED	2.000 EA
032018008DK	HHCS 1/2-13X1 PLATED	4.000 EA
032018010DK	HHCS 1/2-13X1-1/4 PLATED	2.000 EA

Parts List (continued)		
Part Number	Description	Quantity
036000012HB	HHCS M6X12MM LONG PLATED	3.000 EA
036000020HB	HHCS M6-1.0X20MM PLATED	4.000 EA
036310010FB	RHMS TERM/BLK MTG	2.000 EA
036320008CB	M2.5 SCREW	4.000 EA
036500006AB	M4-0.7 METRIC HEX NUT	2.000 EA
036620008AB	M6 METRIC EXT LOCKWASHER	1.000 EA
065591000B	GASK 250-280	1.000 EA
075454001AJ	C/BOX, PAINTED 250-280	1.000 EA
075455000A	CBOXC, PAINTED 250-280	1.000 EA
406673002C	.75 CAP PLUG	1.000 EA
415000103A	T/LUG #14AWG-#4AWG W/HOLE FOR .250 BOLT	1.000 EA
417733004T	GASKET CONDUIT BOX	2.000 EA
418018074A	GROUND LABEL G100 METRIC 160 D.C.	1.000 EA
418057169A	LKNUT CAMER	1.000 EA
418057260A	SCREW PHILLIPS PAN HD	4.000 EA
418057367A	CLIP, BEI TACH	2.000 EA
418057373A	SCREW SHEET METAL	7.000 EA
418057381A	CONDUIT WASHER	1.000 EA
418057499A	PLATE	1.000 EA
422962051B	STUB SHAFT	1.000 EA
607980192B	RF,BEI,HS35,TWISTLOCK	1.000 EA
417077-141	BLWR MTR	1.000 EA
708533003A	PLATE, BTM FAN/BLOWER	2.000 EA
708534003A	BAFFLE, FAN/BLOWER	1.000 EA

Product Information Packet: ZDBRPM25754 - 75HP, 1750RPM,3PH,60HZ,2586,TEBC,FOOT

708534050B	GRILL, FAN COVER	1.000 EA
708534051A	FL250 FAN GRILL	1.000 EA
000640000P	TAG WINDING THERMOST	1.000 EA
004824007K	SPECIAL PAINT	0.100 EA
034180024GA	KEY 1/2X1/2X3 L	1.000 EA

REL. S.O.	-	VOLTS	460	ENCLOSURE	TEBC	WYE CONN EQ CKT OHMS PER PHASE (AT BASE RATING, 25 °C)
FRAME	FL2586	AMPS	96	MAX SAFE RPM	5000	
HP	75	DUTY	CONT	IM (AMPS)	48	R1 .0443 X1 .229
BASE SPEED	1775	S.F.	1.0	P.F.@NL/FL	.045/.804	R2 .0311 X2 .333
PHASE/HERTZ	3/60	AMB °C/INSUL	40/H	WK <sup>2</sup> (LB-FT <sup>2</sup> )	4.9	XM 5.73

**RATED FULL LOAD DATA**


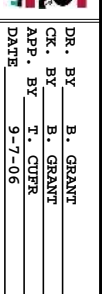
	RPM	HP	TORQUE LB-FT	FUND VOLTS	FREQ-HZ	AMPS
BASE SPEED	1776	75.0	222	460	60	95.3
MAX SPEED	3547	75.1	111	460	120	87.6
MIN SPEED	0	0	222	12.2	.814	95.3

**LOAD PERFORMANCE AT BASE SPEED**

	RPM	HP	TORQUE LB-FT	FUND VOLTS	FREQ-HZ	AMPS
NO LOAD	1800	0	0	460	60	46.6
1/4	1794	18.8	55	460	60	52.1
1/2	1788	37.5	110	460	60	62.9
3/4	1782	56.2	166	460	60	77.9
FULL LOAD	1776	75.0	222	460	60	95.3
O/L	1746	148	444	460	60	177

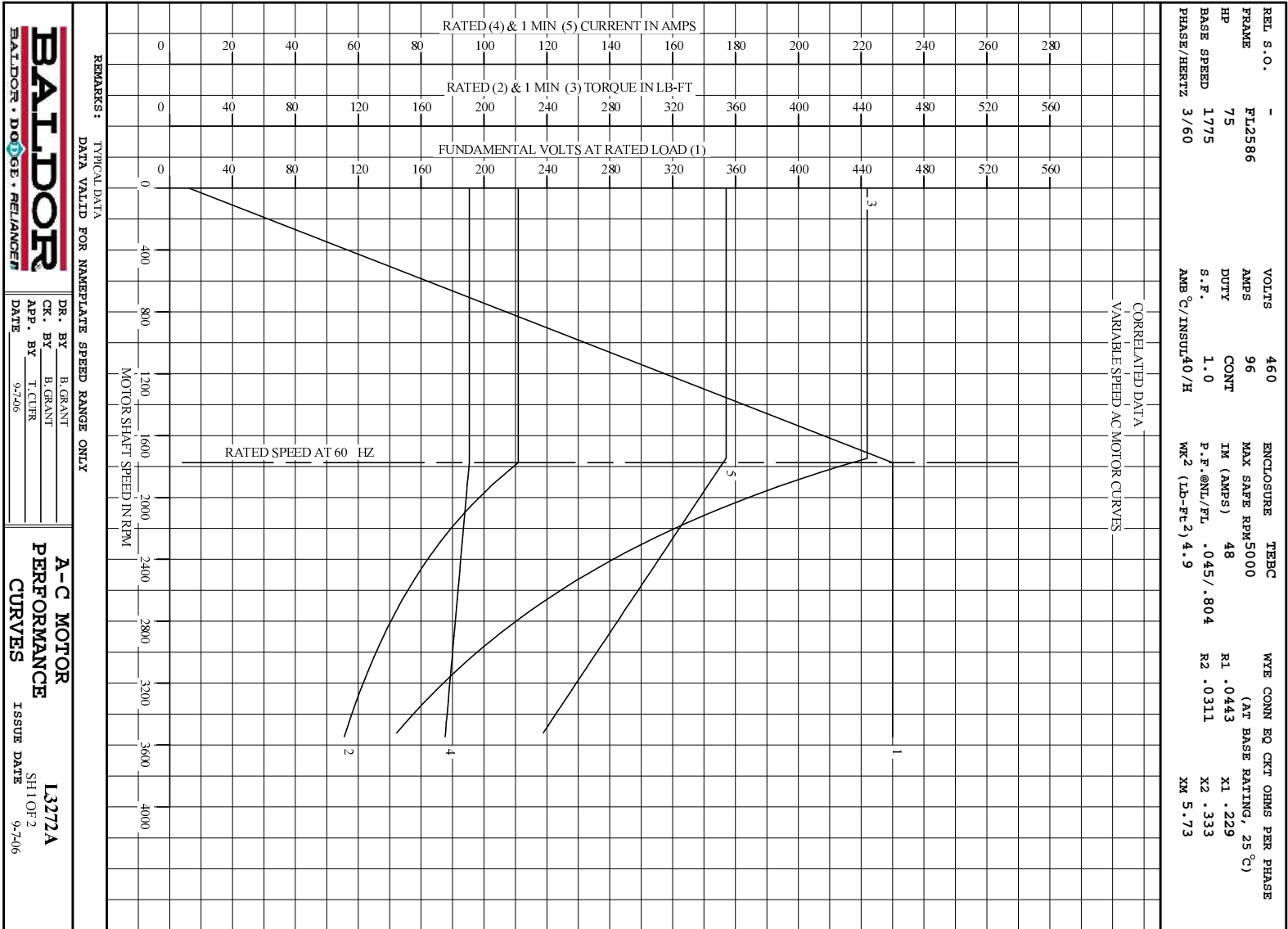
BLOWER DATA	VOLTS	PH/HZ	FL AMPS	LR AMPS	FRAME	CFM

REMARKS: TYPICAL DATA  
CORRELATED DATA

	DR. BY	B. GRANT	<b>A-C MOTOR PERFORMANCE DATA</b>
	CK. BY	T. CUER	
	APP. BY	9-7-06	
		DATE	I3272A ISSUE DATE 9-7-06



1



**BALDOR**  
BALDOR • DOUGLASS • RELIANCE

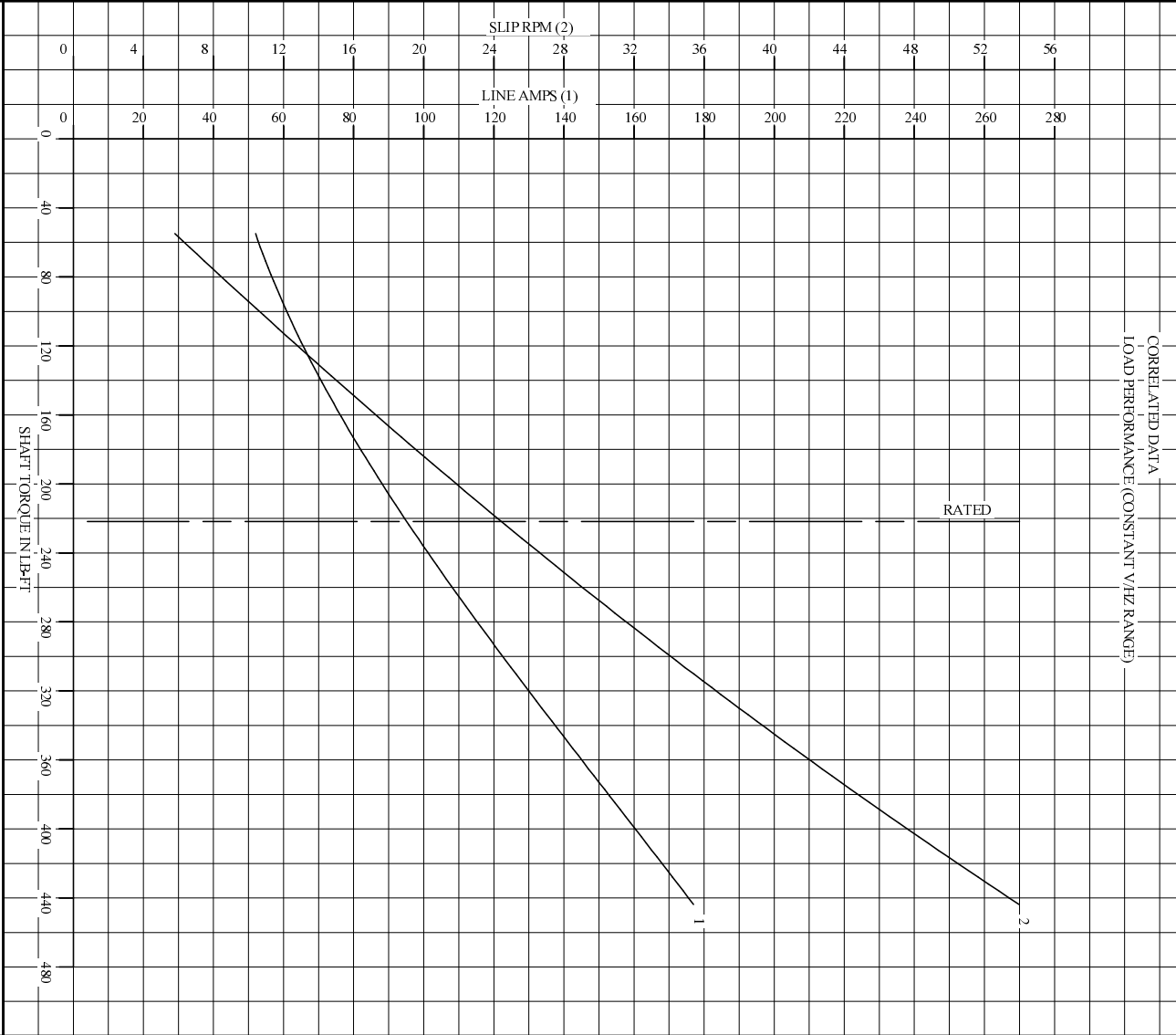
DR. BY: B. GRANT  
CK. BY: B. GRANT  
APP. BY: T. CURR  
DATE: 9-7-06

**A-C MOTOR**  
**PERFORMANCE**  
**CURVES**

**L3272A**  
SH 1 OF 2  
ISSUE DATE: 9-7-06

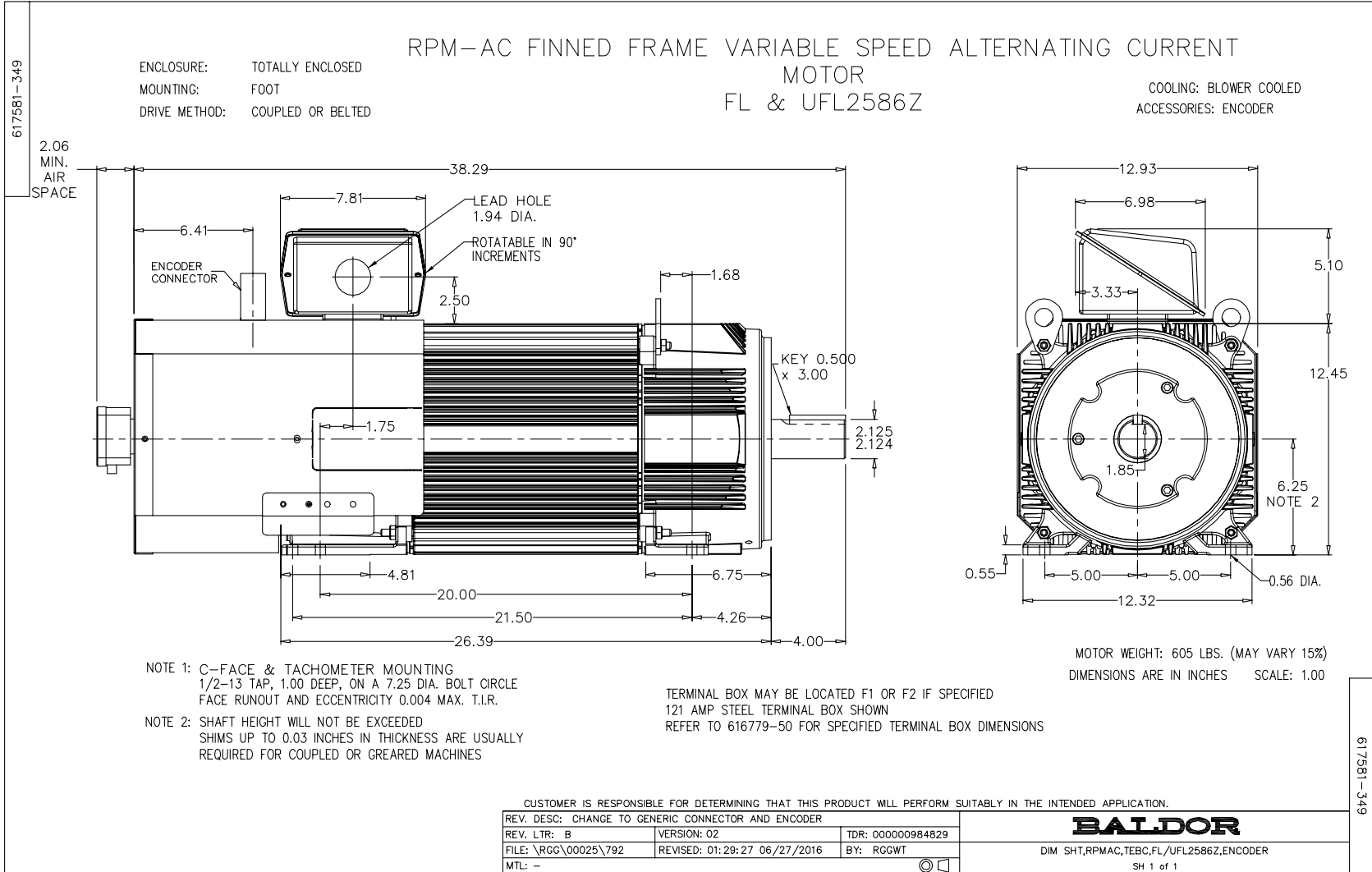
1

REL S.O.	-	VOLTS	460	ENCLOSURE	TEBC	WYE CONN EQ CKT OHMS PER PHASE
FRAME	FL2586	AMPS	96	MAX SAFE RPM	5000	(AT BASE RATING, 25 °C)
HP	75	DUTY	CONT	IM (AMPS)	48	R1 .0443 X1 .229
BASE SPEED	1775	S.F.	1.0	P.F.@NL/FL	.045/.804	R2 .0311 X2 .333
PHASE/HERTZ	3/60	AMB C/INSUL	40/H	WK <sup>2</sup> (LB-FT <sup>2</sup> )	4.9	XM 5.73



REMARKS: TYPICAL DATA  
DATA VALID FOR NAMEPLATE SPEED RANGE ONLY

<b>BALDOR</b> BALDOR • DOUG • RELIANCE	DR. BY	B. GRANT	<b>A-C MOTOR</b> <b>PERFORMANCE</b> <b>CURVES</b>	<b>L3272A</b> SH20F2 ISSUE DATE 9-7-06
	CK. BY	B. GRANT		
	APP. BY	T. CURR		
	DATE	9-7-06		

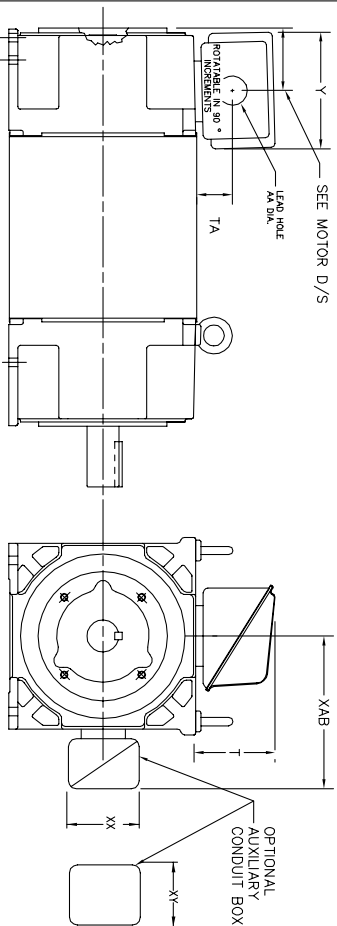


616779-050

# INDUSTRIAL ALTERNATING CURRENT MOTORS

## RPM AC

STEEL, CAST IRON, MILL AND TERMINAL BOARD CONDUIT BOX DIMENSIONS  
 NEMA FRAMES RL210 thru RL280 and IEC FRAMES RDL132 thru RDL180  
 NEMA FRAMES FL180 thru FL280 and IEC FRAMES FDL112 thru FDL180



FRAME	TYPE	TERMINAL STRIP	AMPS	C/BOX	Y	TA	T	AA
FL180	STEEL	N	40	706320003A	5.00	1.62	3.00	1.12
FL180	STEEL	Y/N	7/5	706320005A	6.12	2.38	4.38	1.75/2.00
FL180	STEEL	N	208	706320007A	7.62	2.00	7.00	2.50/3.00
FL180	CAST IRON	Y/N	60	706320004C	5.75	2.38	4.38	1.0 TAP
FL180 & FDL11	MILL	Y	100	706310056A	7.75	2.30	4.40	PG29/PG16

FL210 & RL210	STEEL	N	61	0754520008	6.34	2.00	4.12	1.75
FL210 & RL210	STEEL	N	121	075454001AJ	7.69	2.38	5.25	1.94
FL210 & RL210	STEEL	N	305	706320016A	9.00	4.12	8.44	4.59
FL210 & RL210	CAST IRON	N	110	0754600628	7.25	2.50	5.25	1.5 TAP
FL210 & RL210	MILL	Y	100	706310056A	7.75	2.30	4.40	PG29/PG16
FL210 & RL210	MILL	Y	160	706310056B	9.00	3.06	5.40	PG36/PG16
FDL13 & RDL13	MILL	Y	160	7063100638	14.39	7.43	12.15	BLANK

FL250 & RL250	STEEL	N	61	0754520008	6.34	2.00	4.12	1.75
FL250 & RL250	STEEL	N	121	075454001AJ	7.69	2.38	5.25	1.94
FL250 & RL250	STEEL	N	305	706320016A	9.00	4.12	8.44	4.59
FL250 & RL250	CAST IRON	N	110	0754600628	7.25	2.50	5.25	1.5 TAP
FL250 & RL250	CAST IRON	N	210	706320013A	10.50	4.88	9.00	4.0 TAP
FL250 & RL250	MILL	Y	100	706310056A	7.75	2.30	4.40	PG29/PG16
FL250 & RL250	MILL	Y	160	706310056B	9.00	3.06	5.40	PG36/PG16
FDL16 & RDL16	MILL	Y	400	7063100638	14.39	7.43	12.15	BLANK

FL280 & RL280	STEEL	N	160	706320009A	7.25	3.50	7.06	2.50
FL280 & RL280	STEEL	N	305	706320016A	9.00	4.12	8.44	4.59
FL280 & RL280	STEEL	N	500	702658001C	14.62	7.56	12.70	5.00
FL280 & RL280	CAST IRON	N	140	7063200128	9.25	4.81	8.58	3.0 TAP
FL280 & RL280	CAST IRON	N	210	706320013A	10.50	4.88	9.00	4.0 TAP
FL280 & RL280	CAST IRON	N	510	7063200140	15.00	7.56	12.81	5.0 TAP
FL280 & RL280	MILL	Y	100	706310056A	7.75	2.30	4.40	PG29/PG16
FL280 & RL280	MILL	Y	160	706310056B	9.00	3.06	5.40	PG36/PG16
FL280 & RL280	MILL	Y	400	7063100638	14.39	7.43	12.15	BLANK

FRAME SIZE	XAB	XX	XY	PART NUMBER	FRAME SIZE	XAB	XX	XY	PART NUMBER
FL180/FL180/RL210/RL132	7.38	4.25	4.25	603C007-26-A	FL210/FL180/RL210/RL132	10.88	8.00	8.00	706310-3-B
FL180/FL180/RL250/RL160	8.44	4.25	4.25	603C007-26-A	FL250/FL180/RL250/RL160	11.88	8.00	8.00	706310-3-B
FL280/FL180/RL280/RL180	9.12	4.25	4.25	603C007-26-A	FL280/FL180/RL280/RL180	12.62	8.00	8.00	706310-3-B

- (1) TAP CONDUIT
- (2) TAP PIPE TAP
- (3) CUSTOMER TO PROVIDE HOLE FOR CONDUIT.
- (4) 2" DN -5A or 1" TAP DN -4C

TERMINAL BOX CAN BE KEPT FOR LEAD OUTLET AT TOP SIDES OR BOTTOM TERMINAL BOX CAN BE KEPT FOR LEAD OUTLET AT TOP SIDES OR BOTTOM OF C-1 MOUNTING IS SPECIFIED INDICATED ON TAP WHEN SPECIFIED.

050-667919

CUSTOMER IS RESPONSIBLE FOR DETERMINING THAT BALDOR'S PRODUCT WILL PERFORM SUITABLY IN THE INTENDED APPLICATION.

REV. DESC: REPLACE CONDUIT BOX TABLE	VERSION: 04	TDR: 000001047838
REV. LTR: D	REVISED: 11:46:16 10/19/2017	BY: RGGWT
FILE: \\RGG\00003\692		
MTL: 1		

**BALDOR**

DIM SHT NEMA RL210-RL280 FL180-FL280 IEC RDL132-RDL180

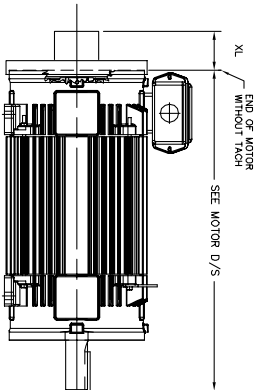
SH 1 of 1

**RPM AC TACHOMETER DIMENSIONS**  
 NEMA FRAMES FL180 thru FL440 and IEC FRAMES FDL112 thru FDL280  
 DIMENSIONS ARE IN INCHES(mm)

616779-055

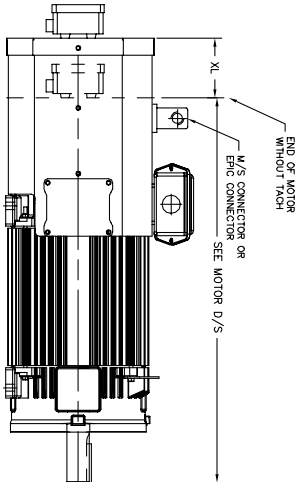
DPTV, DPSV, TEPV, TESV, TENV & TEO-PB  
 IC06, IC17, IC37, IC410, & IC416-PB

TACH MODEL	XL Inche(stmm)	LBS.
BEI R DYNAPAR H335	2.88 (74)	5
DYNAPAR H20 *	7.50(191)MAX	10
NORTHSTAR H335M	3.31 (84)	10
NORTHSTAR ST67	2.88 (74)	5
DYNAPAR H36	10.56 (268)	40
AVTRON M3 IR M4	3.62 (.92)	10
TAMGAMA T55013(X1)	6.00 (152)	10
NORTHSTAR ST65	2.88 (74)	5
NORTHSTAR ST85	2.00 (.51)	5
BEI H38P	10.19 (259)	15
TAMGAMA T32151	2.64 (67)	15
BEI H35	7.50 (191)	15
DYNAPAR H320	2.00 (.50)	5
DYNAPAR X23	12.88 (327)	10
STIEGMANN SRK25	7.25 (184.4)	10
NORTHSTAR H3035	3.00 (.76)	10
HEIDENHAIN EGN425	2.5 (63.5)	5
AVTRON H335M	4.19 (106.4)	5
HEIDENHAIN ERN480	5.00 (126.2)	5
DYNAPAR H025	7.00 (177.8)	10
DYNAPAR H22	3.62 (92.1)	5
AVTRON W895	2.54 (64.5)	9
AVTRON H22	2.54 (64.5)	9
AVTRON AV850	2.54 (64.5)	9
AVTRON AV56	4.50 (115)	15
HS125	3.30 (84)	5
HS128	3.30 (84)	2
NORTHSTAR R18	3.25 (83)	15
DYNAPAR H4625	5.88 (150)	10
AVTRON AV495	9.50 (241)	18
AVTRON AV32	1.93 (49)	.7



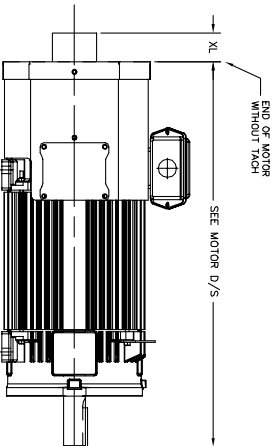
TEAO-BC, IC416-BC  
 EXCLUDES NEMA FRAMES FL320 THRU FL440  
 AND  
 IEC FRAMES FDL200 THRU FDL280

TACH MODEL	XL Inche(stmm)	LBS.
BEI R DYNAPAR H335	4.50 (115)	10
DYNAPAR H20	4.50 (115)	15
AVTRON M3 IR M4	4.50 (115)	10
NORTHSTAR H335M	4.50 (115)	15
NORTHSTAR ST65	4.50 (115)	10
NORTHSTAR ST85	4.50 (115)	10
NORTHSTAR ST67	4.50 (115)	5
TAMGAMA T55008, T55013	4.50 (115)	10
DYNAPAR H320	4.50 (115)	15
STIEGMANN SRK25	4.50 (115)	10
STIEGMANN SRV/SR150	4.50 (115)	3
STIEGMANN SR350	4.50 (115)	15
H25D & H25E	4.50 (115)	15
AVTRON H335M	4.50 (115)	10
AVTRON AV85	4.50 (115)	10
AVTRON H35	4.50 (115)	5
AVTRON H67	4.50 (115)	10
HS138	4.50 (115)	5
TS2014	4.50 (115)	10
AVTRON H345	4.50 (115)	15
DYNAPAR H3038M	4.50 (115)	15
AVTRON AV32	4.50 (115)	.7
AVTRON AV850	4.50 (115)	9



TEFC, IC411

TACH MODEL	XL Inche(stmm)	LBS.
BEI H335	2.88 (74)	7
NORTHSTAR H335M	3.31 (84)	10
DYNAPAR H20	3.75 (95)	15
DYNAPAR H335, H3038	2.88 (74)	7
H02XD	9.75 (248)	35
EM25	7.90 (201)	35
AVTRON H335M	4.19 (106)	2
STIEGMANN SRK20	3.75 (95)	1
DYNAPAR H320	2.00 (.51)	1
NORTHSTAR H3035	2.81 (71)	2
NORTHSTAR H3038	3.30 (84)	5
AVTRON AV32	1.93 (49)	.7



950-671919

CUSTOMER IS RESPONSIBLE FOR DETERMINING THAT BALDOR'S PRODUCT WILL PERFORM SUITABLY IN THE INTENDED APPLICATION.

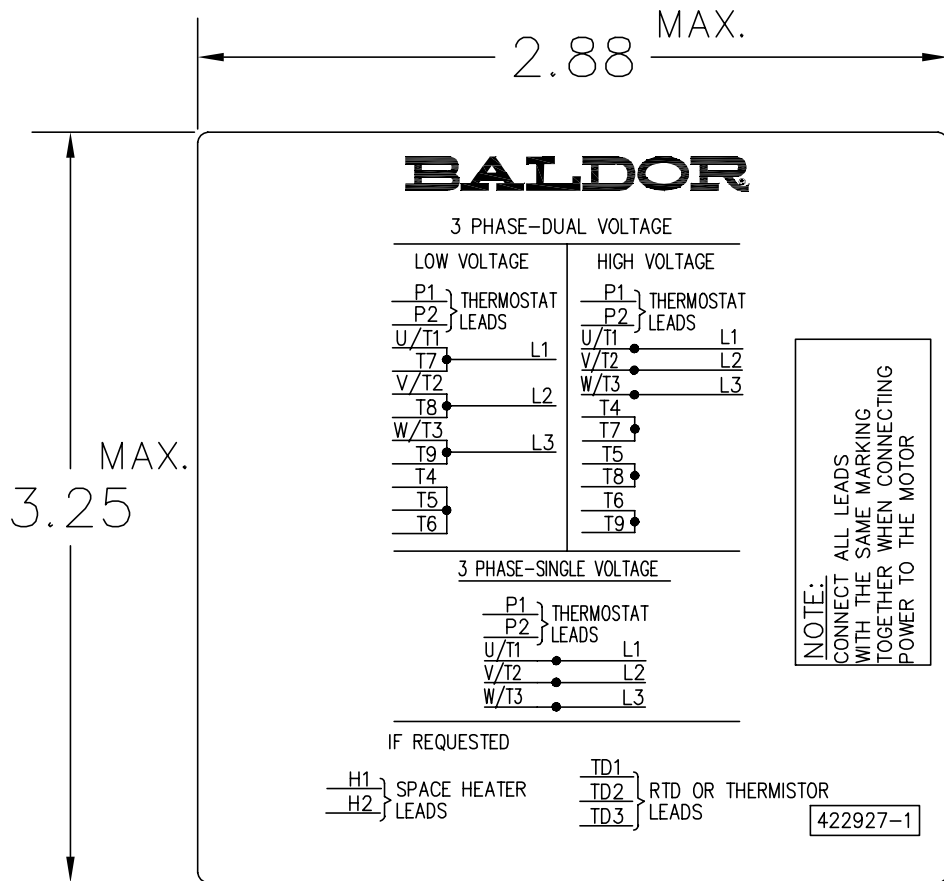
REV. DESC: ADD AVTRON AV850 TO FRAMES FL320 THRU FL440	TDR: 000001059525
REV. LTR: Y	VERSION: 23
FILE: \RGG\00003\694	REVISED: 07:16:49 02/12/2018
MTL: -	BY: RGGWT

**BALDOR**

DIM SHT TACH DIM NEMA FL180 - FL440 IEC FDL112 - FDL280

SH 1 of 1

422927-001



NOTE:  
DATA TO BE SIZED  
SO THAT IT FITS INTO  
MATERIAL DECAL  
DIMENSIONS. MAKE  
LETTERS & NUMBERS  
AS LARGE AS POSSIBLE.

MATERIAL: CERAMATIC DGF-P4  
PERMA GRIP ADHESIVE

ALL LETTERS, NUMBERS  
AND LINES TO BE BLACK  
ON WHITE BACKGROUND.

REV. DESC: CHANGE BACKGROUND COLOR FROM GOLD TO WHITE		
REV. LTR: B	VERSION: 02	TDR: 000000788708
FILE: \RGG\00000\203	REVISED: 08:09:29 03/04/2013	
MTL: -	BY: RGGWT	

**BALDOR**

EXTERNAL CONNECTION LABEL

SH 1 of 1

422927-001

Marketing maintained PDF of MN406:

<http://www.baldor.com/support/Literature/Load.ashx/MN406?ManNumber=MN406>