

BALDOR® • RELIANCE 

Product Information Packet

ZDM3582T

1HP, 1160RPM, 3PH, 60HZ, 143TC, 0526M, TEBC, F1

Part Detail							
Revision:	F	Status:	PRD/A	Change #:		Proprietary:	No
Type:	AC	Elec. Spec:	05WGX240	CD Diagram:	CD0005	Mfg Plant:	
Mech. Spec:	05E535	Layout:	05LYE535	Poles:	06	Created Date:	07-31-2012
Base:	RG	Eff. Date:	12-07-2016	Leads:	9#18		

Specs			
Catalog Number:	ZDM3582T	Insulation Class:	H
Enclosure:	TEBC	Inverter Code:	Inverter Duty
Frame:	143TC	KVA Code:	K
Frame Material:	Iron	Lifting Lugs:	No Lifting Lugs
Output @ Frequency:	1.000 HP @ 60 HZ	Locked Bearing Indicator:	Locked Bearing
Synchronous Speed @ Frequency:	1200 RPM @ 60 HZ	Motor Lead Quantity/Wire Size:	9 @ 18 AWG
Voltage @ Frequency:	460.0 V @ 60 HZ	Motor Lead Exit:	Ko Box
	230.0 V @ 60 HZ	Motor Lead Termination:	Flying Leads
XP Class and Group:	None	Motor Type:	0526M
XP Division:	Not Applicable	Mounting Arrangement:	F1
Agency Approvals:	CSA	Power Factor:	66
	UR	Product Family:	General Purpose
Auxillary Box:	No Auxillary Box	Pulley End Bearing Type:	Ball
Auxillary Box Lead Termination:	None	Pulley Face Code:	C-Face
Base Indicator:	Rigid	Pulley Shaft Indicator:	Standard
Bearing Grease Type:	Polyrex EM (-20F +300F)	Rodent Screen:	None
Blower:	115V 1-Phase EXT	Shaft Extension Location:	Pulley End
Current @ Voltage:	1.700 A @ 460.0 V	Shaft Ground Indicator:	No Shaft Grounding

	3.400 A @ 208.0 V	Shaft Rotation:	Reversible: Connected Standard
	3.400 A @ 230.0 V	Shaft Slinger Indicator:	Shaft Slinger
Design Code:	B	Speed Code:	Single Speed
Drip Cover:	No Drip Cover	Motor Standards:	NEMA
Duty Rating:	CONT	Starting Method:	Direct on line
Electrically Isolated Bearing:	Not Electrically Isolated	Thermal Device - Bearing:	None
Feedback Device:	ENCODER	Thermal Device - Winding:	Normally Closed Thermostat
Front Face Code:	Encoder/Feedback Device	Vibration Sensor Indicator:	No Vibration Sensor
Front Shaft Indicator:	None	Winding Thermal 1:	None
Heater Indicator:	No Heater	Winding Thermal 2:	None

Nameplate NP1168L	
CAT NO	ZDM3582T
SPEC.	05E535X240Z1
FRAME	143TC HP 1 TE
VOLTS	230/460
MAG CUR	2.4/1.2 FLA 3.4/1.7
RPM	1160 RPM MAX 2800
HZ	60 PH 3 CLASS H
SER.F.	1.00 DES B SL HZ 2
NEMA-NOM-EFF	82.5 WK2 0.16
BLWR V	115 PH 1 HZ 60 A .5
RATING	40C AMB-CONT
DE BRG	6205 ODE BRG 6203
CC	010A SER.NO

Parts List		
Part Number	Description	Quantity
SA248863	SA 05E535X240Z1	1.000 EA
RA235731	RA 05E535X240Z1	1.000 EA
06CB3000	BALDOR CONDUIT BOX CAST	1.000 EA
06GS1000	GASKET,CONDUIT BOX	1.000 EA
51XW2520A12	SCREW, HEX SER SLT HD, ZN, 1/4-20 X .75	2.000 EA
51XW2520A12	.25-20 X .75, TAPTITE II, HEX WSHR SLTD	2.000 EA
11XW1032G06	10-32 X .38, TAPTITE II, HEX WSHR SLTD U	1.000 EA
HW3001B01	BRASS CUP WASHER, FOR #10 SCREW	1.000 EA
35EP1100B21	FRONT TEBC 203 BRG W/ GREASER & THRU-SHA	1.000 EA
HW4500A01	1641B(ALEMITE)400 UNIV, GREASE FITT	1.000 EA
HW5100A03	WAVY WASHER (W1543-017)	1.000 EA
35EP1329A01	PU EP ENCL 143-5TC 205 BRG W/GRSR & STD	1.000 EA
HW4500A01	1641B(ALEMITE)400 UNIV, GREASE FITT	1.000 EA
51XN1032A20	10-32 X 1 1/4 HX WS SL SR	2.000 EA
HA3100A28	THRUBOLT 10-32 X 8.187	4.000 EA
10XN2520A08	1/4-20X1/2 HEX HEAD CAP	1.000 EA
HA3218A04	MALE-FEMALE STANDOFF .25-.20 .38 HEX	3.000 EA
10XN2520A04	1/4-20 X 1/4 HEX HD MACH SCREW	3.000 EA
HW1003A25	WASHER, 1/4 EX TH LK, ZN X	3.000 EA
06CB3500	BALDOR CONDUIT BOX LID	1.000 EA
06GS1001	BALDOR CONDUIT BOX GASKET	1.000 EA
HA1005A05SP	SLINGER, OD 1.50, ID .659, 203 BRG	1.000 EA
HW2501D13	KEY, 3/16 SQ X 1.375	1.000 EA
HA7000A01	KEY RETAINER 7/8" DIA SHAFT	1.000 EA

Parts List (continued)		
Part Number	Description	Quantity
MJ5004A05	#242-21 LOCTITE GENERAL PURPOSE MED. STR	0.005 EA
85XU0407S04	4X1/4 U DRIVE PIN STAINLESS	2.000 EA
LB1009N	LABEL,ROTATION DIRECTION (ON ROLLS)	1.000 EA
MJ1000A02	GREASE, POLYREX EM EXXON (USe 4824-15A)	0.050 LB
05FH5001A02	BLOWER KIT,05FH4002,EF0008,MILITARY	1.000 EA
MG1000G27	MED CHARCOAL METALLIC GREY 400-0096	0.022 GA
LC0035B01	1PH, SV, FIX, 2 LEAD	1.000 EA
OE5011A04	HS25 ENCODER ASSY - TEBC	1.000 EA
LB1119N	WARNING LABEL	1.000 EA
LC0145B01	CONNECTION LABEL	1.000 EA
NP1168L	ALUM VEC UL CSA CC	1.000 EA
G7PA1000	PKG GRP, PRINT PK1034A06	1.000 EA
MN416A01	TAG-INSTAL-MAINT no wire (1200/bx) 5/18	1.000 EA

AC Induction Motor Performance Data

Page 1 of 1



AC Induction Motor Performance Data

Record # 39343

Typical performance - not guaranteed values

Winding: 05WGX240	Type: 0526M	Enclosure: TEBC
--------------------------	--------------------	------------------------

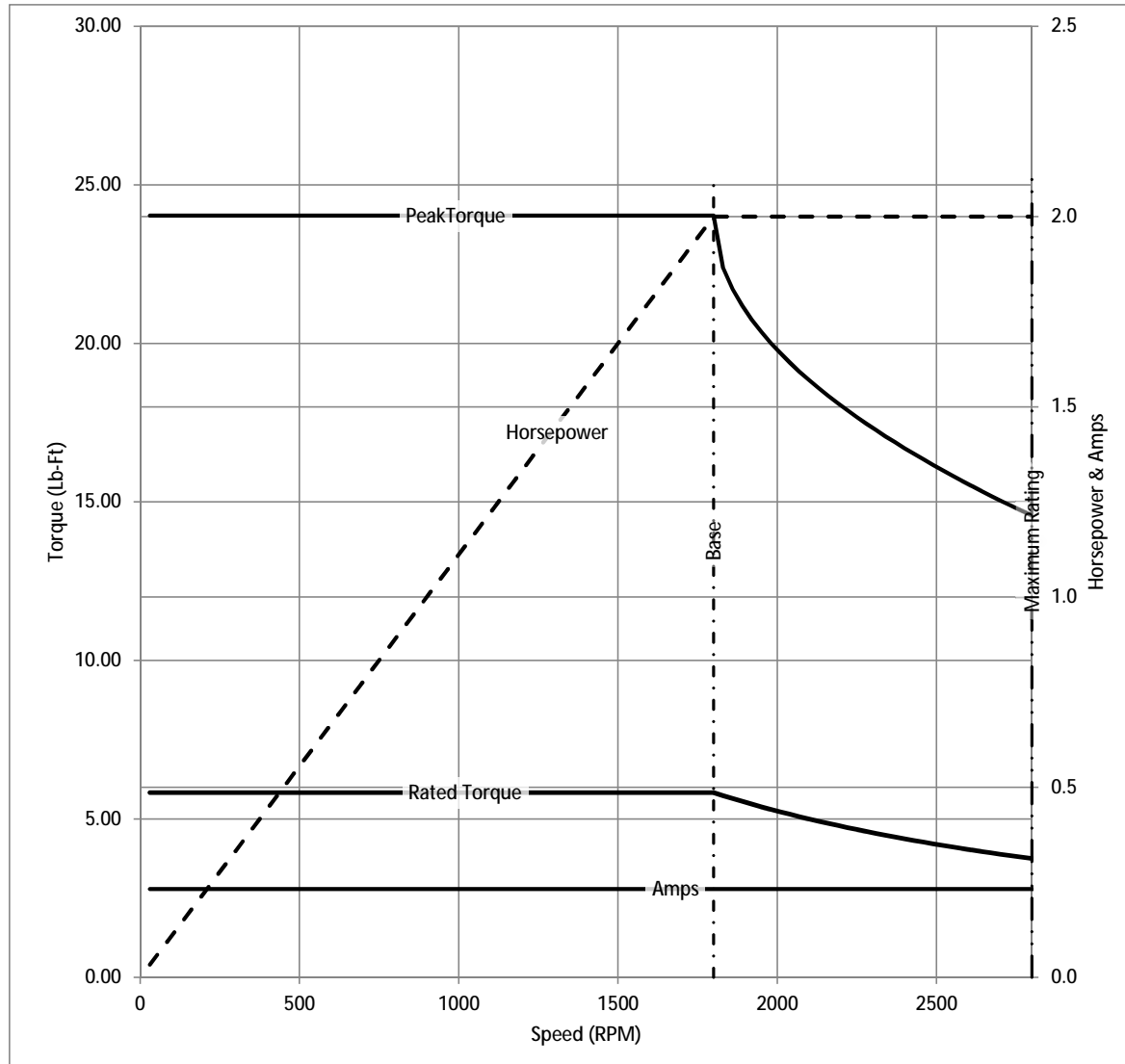
Nameplate Data			General Characteristics at 460 V, 60 Hz: High Volt Connection		
Rated Output (HP)	1		Full Load Torque	4.53 LB-FT	
Volts	230/460		Start Configuration	DOL	
Full Load Amps	3.4/1.7		Break Down Torque	14.6 LB-FT	
R.P.M.	1160		Pull-Up Torque	11.1 LB-FT	
Hz	60	Phase	3	Locked-rotor Torque	12 LB-FT
NEMA Design Code	B	KVA Code	K	Starting Current	10.4 Amps
Service Factor	1		No-load Current	1.16 Amps	
NEMA Nom. Eff.	82.5	P.F.	66	Line-line Res. @ 25°C.	17.6 Ohms
Rating - Duty	40C AMB-CONT		Temp. Rise @ Rated Load		
S.F. Amps			Temp. Rise @ S.F. Load		

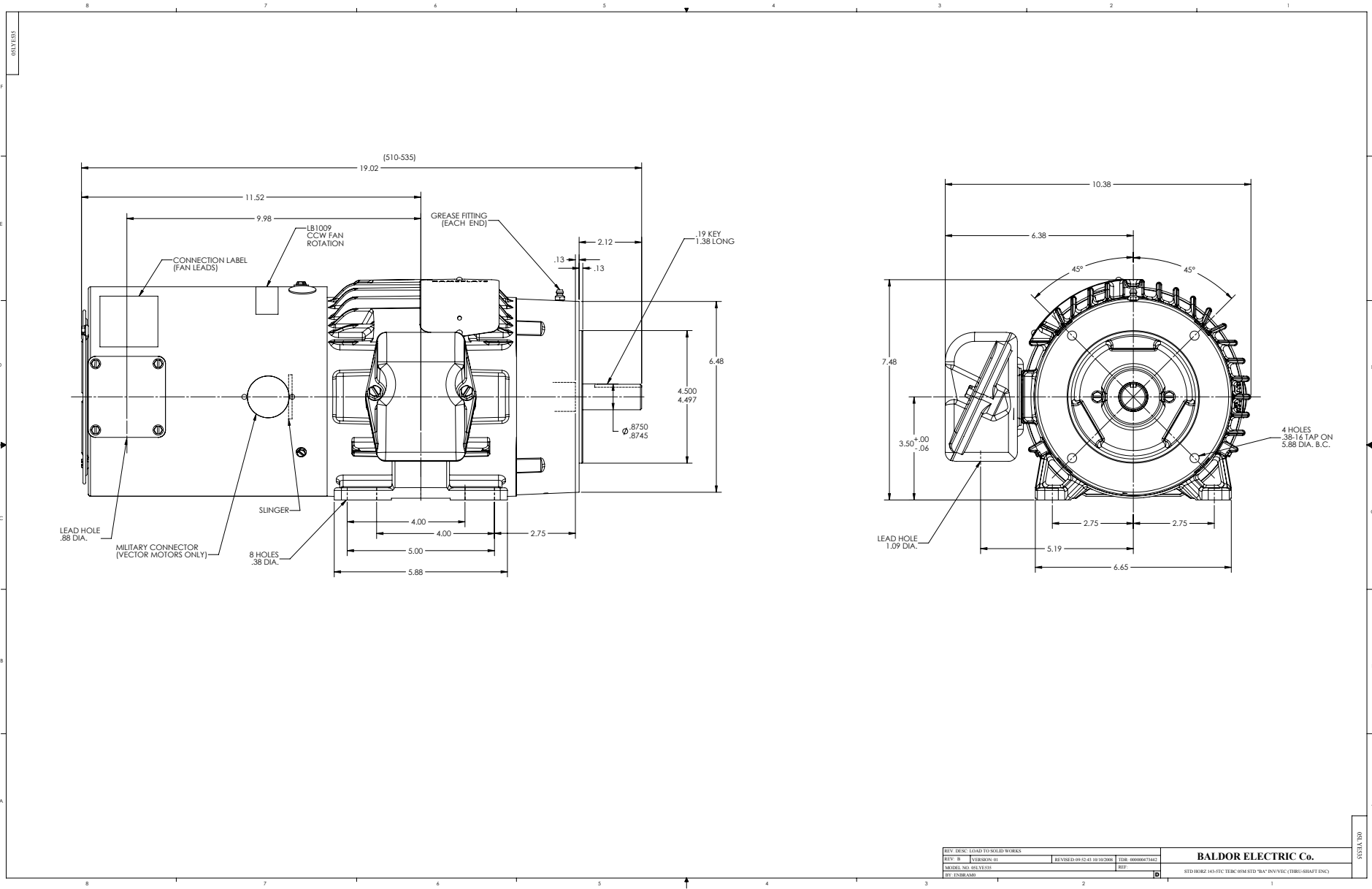
Load Characteristics at 460 Volts, 60 Hz, 1 HP

% of Rated Load	25	50	75	100	125	150	S.F.
Power Factor	27	45	57	66	72	75	
Efficiency	70.2	80	82.7	83.1	81.8	80	
Speed	1192	1182	1171	1160	1146	1131	
Line Amperes	1.19	1.31	1.49	1.72	1.99	2.33	

Baldor Electric Company Fort Smith, Arkansas

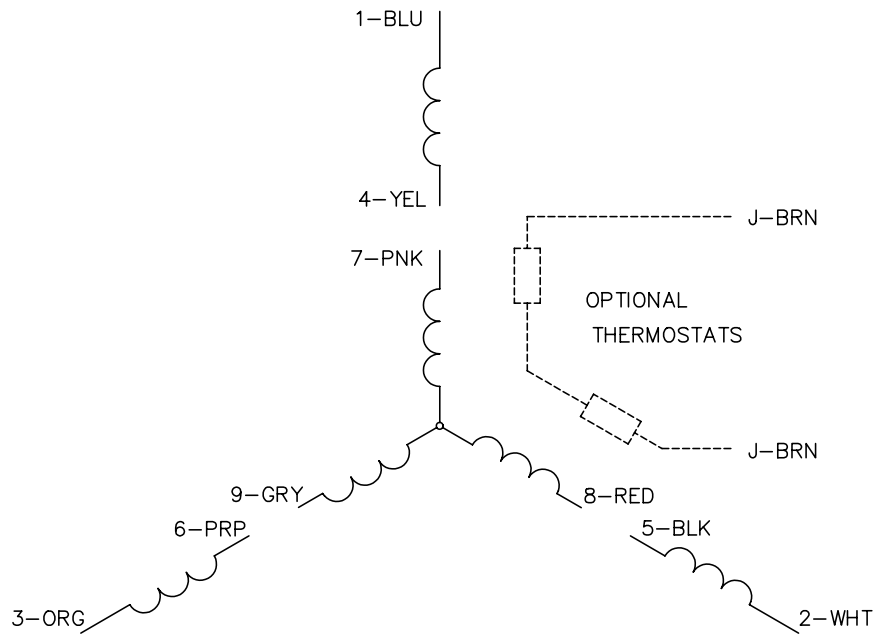






REV. DESC. (ADD TO FILED WORKS)	REVISED BY/DATE	DATE	BY	BALDOR ELECTRIC Co. STD 143-TC TEBC 1HP STD "B" IN/VC (DRI-SHAFT ENC)
REV. B	VERSION 01	REVISED 09/24/10 10/20/08	TDK 000007342	
MODEL NO. 0526M	REV			
BY: ENR/BAW				

CD0005



LOW VOLTAGE
(2Y)



LINE

HIGH VOLTAGE
(1Y)



LINE

NOTES:

1. INTERCHANGE ANY TWO LINE LEADS TO REVERSE ROTATION.
2. OPTIONAL THERMOSTATS ARE PROVIDED WHEN SPECIFIED.
3. ACTUAL NUMBER OF INTERNAL PARALLEL CIRCUITS MAY BE A MULTIPLE OF THOSE SHOWN ABOVE.
4. LEAD COLORS ARE OPTIONAL. LEADS MUST ALWAYS BE NUMBERED AS SHOWN.

REV. DESC: REVISE TO SHOW OPTIONAL COLORS			
REV. LTR: E	BY: JLP	REVISED: 01/19/99 10:15	TDR: 0171435
9000D		FILE: AAA00005140	MDL: -
		MTL: -	

BALDOR ELECTRIC Co.

3PH, DV, 9 LEADS

CD0005