

BALDOR® • RELIANCE 

Product Information Packet

ZDM4111T

25HP, 1180RPM, 3PH, 60HZ, 324T, 1260M, TEBC, F1

Part Detail							
Revision:	K	Status:	PRD/A	Change #:		Proprietary:	No
Type:	AC	Elec. Spec:	12WGY116	CD Diagram:	CD0180	Mfg Plant:	
Mech. Spec:	12T038	Layout:	12LYT038	Poles:	06	Created Date:	06-07-2011
Base:	RG	Eff. Date:	08-21-2018	Leads:	9#8		

Specs			
Catalog Number:	ZDM4111T	Insulation Class:	H
Enclosure:	TEBC	Inverter Code:	Inverter Duty
Frame:	324T	KVA Code:	H
Frame Material:	Iron	Lifting Lugs:	Standard Lifting Lugs
Output @ Frequency:	25.000 HP @ 60 HZ	Locked Bearing Indicator:	Locked Bearing
Synchronous Speed @ Frequency:	1200 RPM @ 60 HZ	Motor Lead Quantity/Wire Size:	9 @ 8 AWG
Voltage @ Frequency:	460.0 V @ 60 HZ	Motor Lead Exit:	Ko Box
	230.0 V @ 60 HZ	Motor Lead Termination:	Flying Leads
XP Class and Group:	None	Motor Type:	1260M
XP Division:	Not Applicable	Mounting Arrangement:	F1
Agency Approvals:	CSA	Power Factor:	79
	UR	Product Family:	General Purpose
Auxillary Box:	No Auxillary Box	Pulley End Bearing Type:	Ball
Auxillary Box Lead Termination:	None	Pulley Face Code:	Standard
Base Indicator:	Rigid	Pulley Shaft Indicator:	Standard
Bearing Grease Type:	Polyrex EM (-20F +300F)	Rodent Screen:	None
Blower:	230/460V 3-Phase EXT	Shaft Extension Location:	Pulley End
Current @ Voltage:	32.000 A @ 460.0 V	Shaft Ground Indicator:	No Shaft Grounding

	63.000 A @ 230.0 V	Shaft Rotation:	Reversible
	69.000 A @ 208.0 V	Shaft Slinger Indicator:	Shaft Slinger
Design Code:	A	Speed Code:	Single Speed
Drip Cover:	No Drip Cover	Motor Standards:	NEMA
Duty Rating:	CONT	Starting Method:	Direct on line
Electrically Isolated Bearing:	Not Electrically Isolated	Thermal Device - Bearing:	NONE (OLD)
Feedback Device:	ENCODER	Thermal Device - Winding:	Normally Closed Thermostat
Front Face Code:	Standard	Vibration Sensor Indicator:	No Vibration Sensor
Front Shaft Indicator:	None	Winding Thermal 1:	None
Heater Indicator:	No Heater	Winding Thermal 2:	None

Nameplate NP1168L	
CAT NO	ZDM4111T
SPEC.	12T038Y116Z1
FRAME	324T HP 25 TE
VOLTS	230/460
MAG CUR	27.6/13.8 FLA 63/32
RPM	1180 RPM MAX 3900
HZ	60 PH 3 CLASS H
SER.F.	1.00 DES A SL HZ 0.8
NEMA-NOM-EFF	93 WK2 11.5
BLWR V	PH HZ A
RATING	40C AMB-CONT
DE BRG	6312 ODE BRG 6311
CC	010A SER.NO

Parts List		
Part Number	Description	Quantity
SA224867	SA 12T038Y116Z1	1.000 EA
RA211968	RA 12T038Y116Z1	1.000 EA
10CB3001	CONDUIT BOX CAST W/2.500 LEAD HOLE	1.000 EA
12GS1000SP	GASKET	1.000 EA
10XN3118K12	5/16-18 X .75 GRADE 5, ZINC PLATED	4.000 EA
HW1001A31	LOCKWASHER 5/16, ZINC PLT.591 OD, .319 I	4.000 EA
WD1000B25	GND LUG, BURNDY L125HP OR T&B L125HP-BB	1.000 EA
19XW3118G08	.31-18X.50,HEX WSHR HD,TAPTITE 2,GREEN	1.000 EA
HA4051A00	PLASTIC CAP FOR GREASE FITTING	1.000 EA
10XN5013K32	1/2-13 X 2.00" HEX HD GRD 5 (20051)	4.000 EA
HW1001A50	LOCKWASHER 1/2, ZINC PLT.,.879 OD, .509 I	4.000 EA
HA1005A06	SLINGER, OD 3.62, ID 2.15	1.000 EA
51XW2520A12	.25-20 X .75, TAPTITE II, HEX WSHR SLTD	6.000 EA
HA1005A26	SLINGER, OD 3.00, ID 1.75, 309 BRG	1.000 EA
HW2501H33	KEY, 1/2 SQ X 3.875	1.000 EA
10XN2520K12	1/4-20 X.75 GRD 5	1.000 EA
HW1001A25	LOCKWASHER 1/4, ZINC PLT .493 OD, .255 I	1.000 EA
HW5100A13	W4627-047 WVY WSHER	1.000 EA
10XN3118K36	5/16-18 X 2.25" HEX HD, GRADE 5	2.000 EA
HW1001A31	LOCKWASHER 5/16, ZINC PLT.591 OD, .319 I	2.000 EA
10XN3118K44	5/16-18 X 2.75" HEX HD, GRADE 5	4.000 EA
HW1001A31	LOCKWASHER 5/16, ZINC PLT.591 OD, .319 I	4.000 EA
12EP1106A01	PU ENDPLATE, MACH 324-6T	1.000 EA
HA4051A00	PLASTIC CAP FOR GREASE FITTING	1.000 EA

Parts List (continued)		
Part Number	Description	Quantity
10XN5013K28	1/2-13 X 1.75 HEX HEAD MACH SCREW,GRAD	4.000 EA
HW1001A50	LOCKWASHER 1/2, ZINC PLT.,.879 OD, .509 I	4.000 EA
HW1001A25	LOCKWASHER 1/4, ZINC PLT .493 OD, .255 I	6.000 EA
12FH4003	312 VCTOR DR FAN HSG DUALMTG (F1/F2)	1.000 EA
HA6354A02	MTG. BRACKET 312 FRAME FAN HOUSING	4.000 EA
10XN3118K08	5/16-18 X .50 GRADE #5, STL, ZINC PLATE	4.000 EA
HW1001A31	LOCKWASHER 5/16, ZINC PLT.591 OD, .319 I	4.000 EA
33CB3002	CONDUIT BOX, CAST	1.000 EA
34CB4500SP	CONDUIT BOX LID, STAMPED	1.000 EA
34GS1001	GASKET, STD CONDUIT BOX LID (LEXIDE)	1.000 EA
51XW0832A07	8-32 X .44, TAPTITE II, HEX WSHR SLTD SE	4.000 EA
RM1022A02	GROMMET .875 ID 1.00 OD .12 WALL,VENDOR#	1.000 EA
51XN0832A12	8-32 HEX SLOT WSHR HD MACH SC GRADE 2, Z	2.000 EA
HW1001A08	WASHER, #8 SPLT LK, ZN	4.000 EA
XY0832A02	8-32 HEX NUT	2.000 EA
WD4101A09	STIMPSON D3560, .875 DIA. HOLE PLUG	1.000 EA
10CB3500SP	CONDUIT BOX LID, CAST	1.000 EA
10GS1000SP	GASKET, CONDUIT BOX LID	1.000 EA
51XW2520A12	.25-20 X .75, TAPTITE II, HEX WSHR SLTD	4.000 EA
LB1115N	LABEL,LIFTING DEVICE (ON ROLLS)	1.000 EA
LB1009N	LABEL,ROTATION DIRECTION (ON ROLLS)	1.000 EA
MN416A01	TAG-INSTAL-MAINT no wire (1200/bx) 5/18	1.000 EA
12EP1107A55	FR ENDPLATE, W/THRU SHAFT ENCODER DESIGN	1.000 EA
HW4500A21	1618BALEMITE FITTING 825 UNIVERSAL	1.000 EA

Product Information Packet: ZDM4111T - 25HP,1180RPM,3PH,60HZ,324T,1260M,TEBC,F1

HA4017A01	1/8 X 4 GREASE EXT (F/S)	1.000 EA
HW4500A17	317400 ALEMITE GREASE RELIEF	1.000 EA
HA4054	SHORT T-DRAIN FITTING, .125" N.P.T.	1.000 EA
MJ1000A02	GREASE, POLYREX EM EXXON (USe 4824-15A)	0.200 LB
HW4500A03	GREASE FITTING, .125 NPT 1610(ALEMITE) 8	1.000 EA
HW4500A17	317400 ALEMITE GREASE RELIEF	1.000 EA
HA4001A01SP	DRAIN PLUG, PLASTIC (MICRO PLAS)	1.000 EA
EF5002	VENTURI/GRILLE KIT FOR 310/312 TEBC MOTO	1.000 EA
MG1000G27	MED CHARCOAL METALLIC GREY 400-0096	0.125 GA
85XU0407S04	4X1/4 U DRIVE PIN STAINLESS	2.000 EA
WD4101A08	STIMPSON #D3557,1.188 DIA. HOLE PLUG	1.000 EA
ENC02BC-B2	ENCDR KIT TEBC W/OEHS35A09 W/BLIND SHAFT	1.000 EA
LB1119N	WARNING LABEL	1.000 EA
LC0181	CONNECTION LABEL	1.000 EA
NP1168L	ALUM VEC UL CSA CC	1.000 EA
10PA1010	PACKAGING GROUP, PRINT PK1151A06	1.000 EA

NP VOLTS	230/460	MAX SAFE RPM	3900	WYE CONN EQ.CKT OHMS PER PHASE (BASE RATING, 200)			
NP AMPS	63/32	Base Volt	460	R1	0.156	X1	0.866
HP	25HP	NL AMPS	13.8	R2	0.109	X2	0.853
BASE SPEED	1180	Slips (Hz)	0.80			XM	19.100
PHASE/HZ	3/60	WK ² (lb-ft ²)	11.5				

Rated Full Load Data


	RPM	HP	Torque	Volts	Freq-Hz	Amps
Base Speed	1184	25.0	111.0	460	60	31.9
Max Speed	1775	25.0	74.1	460	90	30.7
Min Speed	0	0.0	111.0	21.89	0.80	31.9

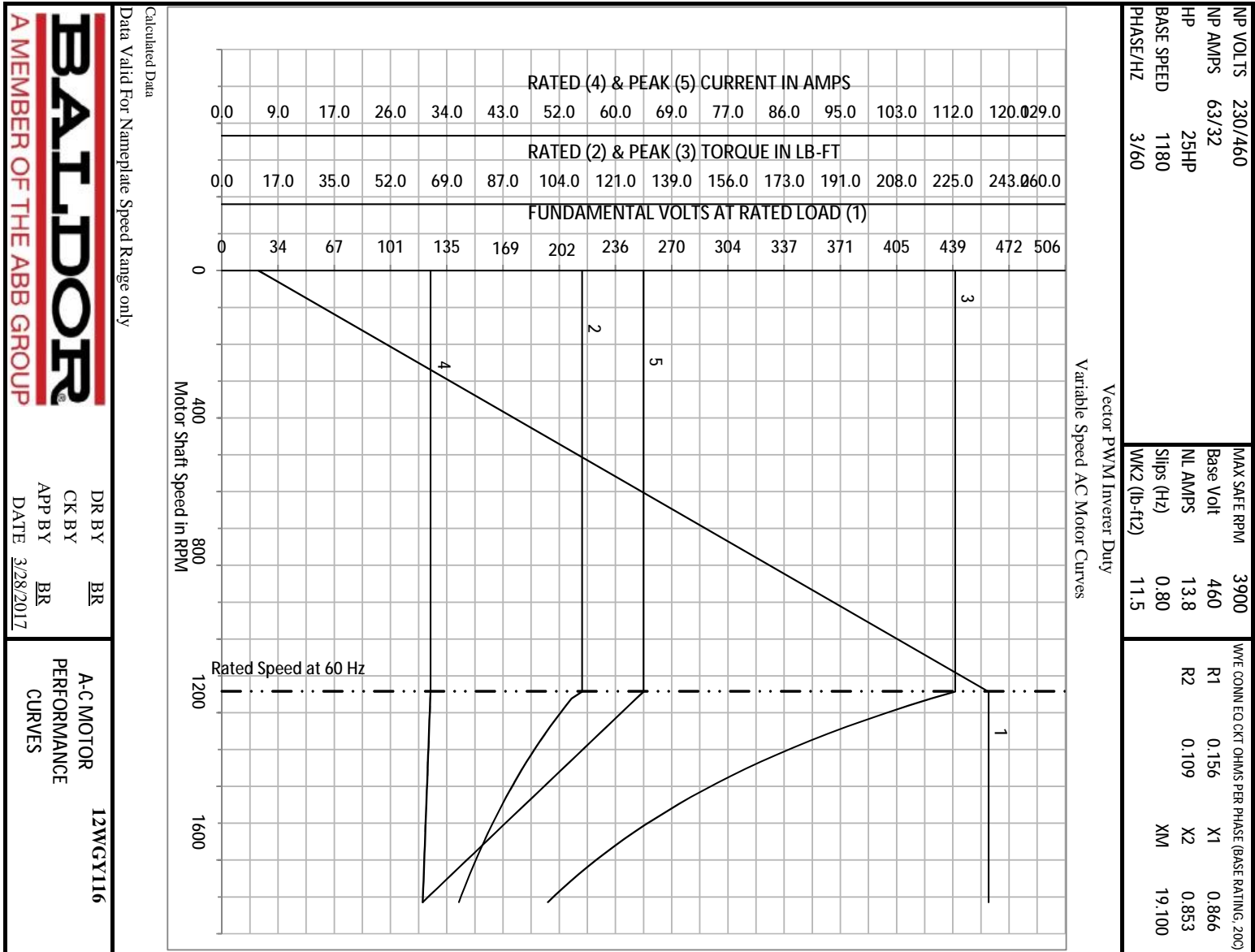
Load Performance at Base Speed

	RPM	HP	Torque	Volts	Freq-Hz	Amps
No Load	1199	0.0	0.0	460	60	13.8
1/4	1195	6.3	27.6	460	60	15.6
1/2	1192	12.6	55.4	460	60	19.7
3/4	1188	18.8	83.1	460	60	25.4
Full Load	1184	25.0	111.0	460	60	31.9
O/L	1164	50.1	226.0	460	60	64.5

Blower Data	Volts	Pn/Hz	FL Amps	LR Amps	Frame	CFM

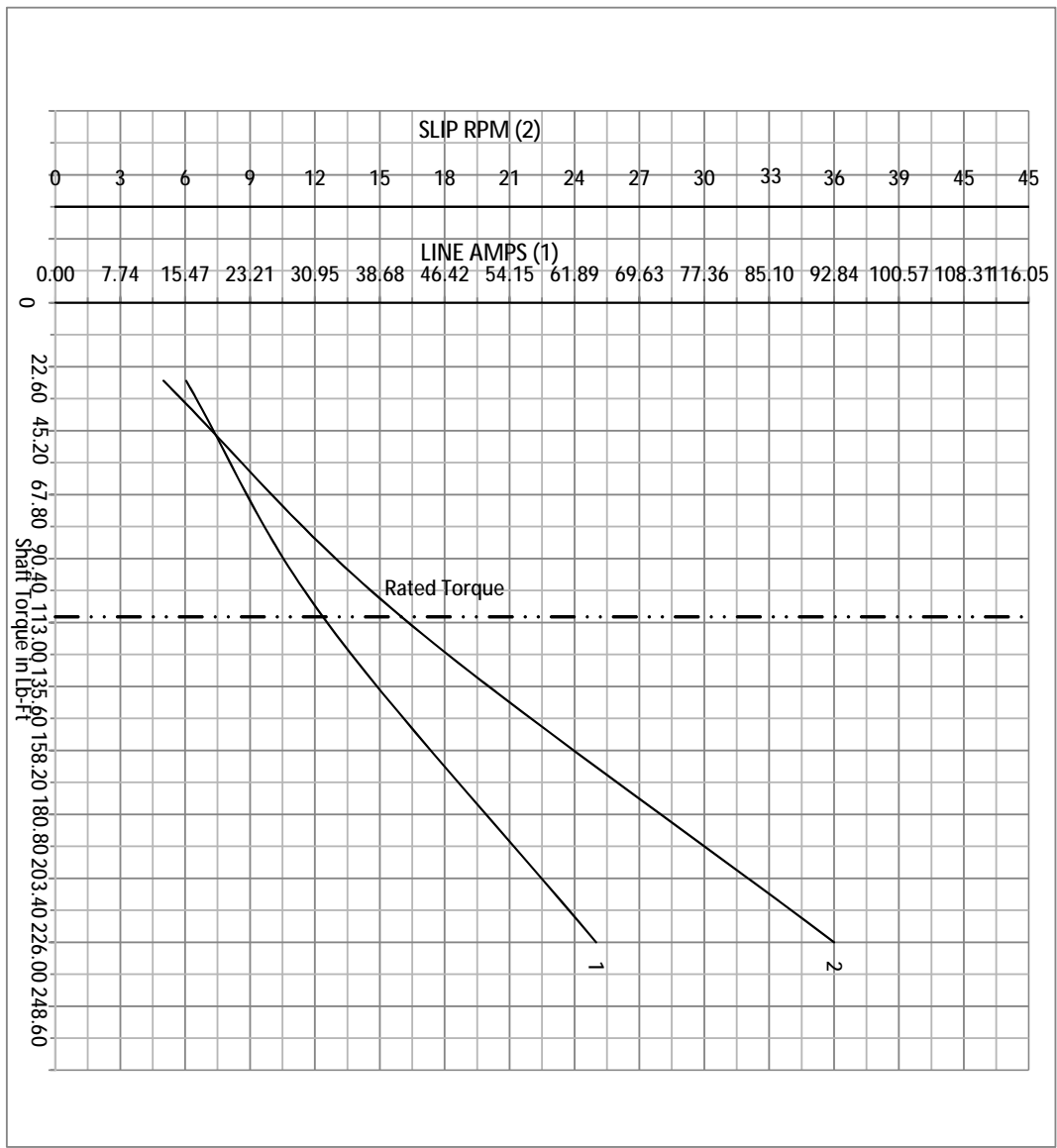
Remarks: Calculated Data
Vector PWM Inverter Duty

 A MEMBER OF THE ABB GROUP	DR BY	BR	A-C MOTOR PERFORMANCE CURVES
	CK BY	BR	
	APP BY	BR	
	DATE	3/28/2017	



NP VOLTS	230/460	MAX SAFE RPM	3900	WYE CONN. EQ. CT. OHMS PER PHASE (BASE RATING, 200)			
NP AMPS	63/32	Base Volt	460	R1	0.156	X1	0.866
HP	25HP	NL AMPS	13.8	R2	0.109	X2	0.853
BASE SPEED	1180	Slips (Hz)	0.80			XM	19.100
PHASE/HZ	3/60	WK2 (lb-ft ²)	11.5				

Vector PWM Inverter Duty
Variable Speed AC Motor Curves



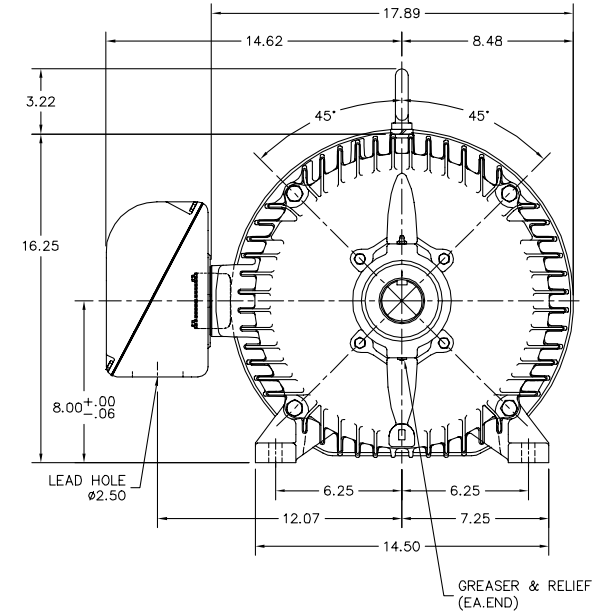
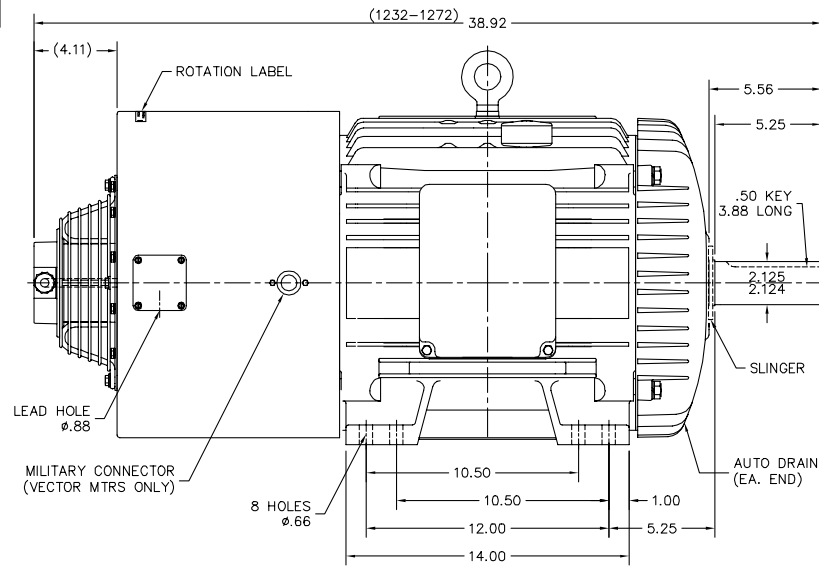
Calculated Data

Data Valid For Nameplate Speed Range only

BALDOR
A MEMBER OF THE ABB GROUP

DR BY	BR	A-C MOTOR	12WG7116
CK BY		PERFORMANCE	
APP BY	BR	CURVES	
DATE	3/28/2017		

12LYT038



12LYT038

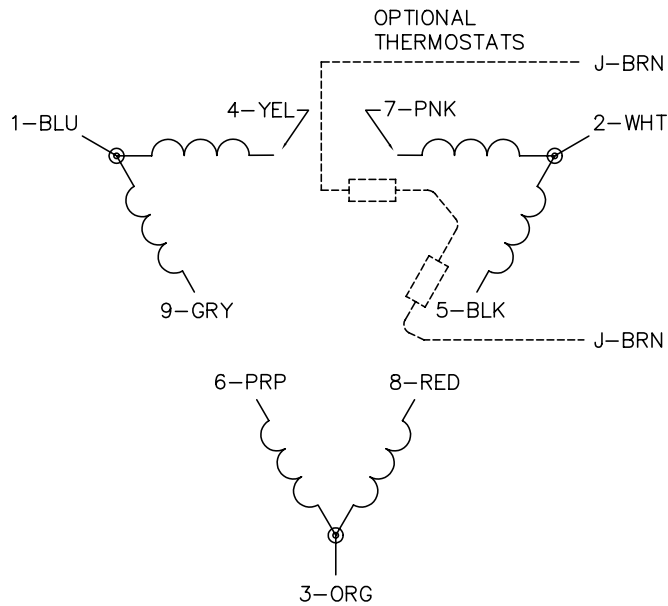
CUSTOMER IS RESPONSIBLE FOR DETERMINING THAT BALDOR'S PRODUCT WILL PERFORM SUITABLY IN THE INTENDED APPLICATION.

REV. DESC: REPLACE HA4001A01 WITH HA4054	VERSION: 01	TDR: 000000857690
REV. LTR: A	REVISD: 04:28:43 06/10/2014	BY: ENBRISO
FILE: \AAA\00077\393		
MTL: -		

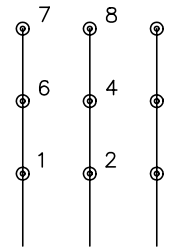
BALDOR

HOR TEBC 324-6T INV/VEC W/THRU SHAFT ENCODER DESIGN
SH 1 of 1

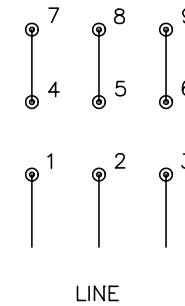
CD0180



LOW VOLTAGE
(2D)



HIGH VOLTAGE
(1D)



NOTES:

1. INTERCHANGE ANY TWO LINE LEADS TO REVERSE ROTATION.
2. OPTIONAL THERMOSTATS ARE PROVIDED WHEN SPECIFIED.
3. ACTUAL NUMBER OF INTERNAL PARALLEL CIRCUITS MAY BE A MULTIPLE OF THOSE SHOWN ABOVE.
4. LEAD COLORS ARE OPTIONAL. LEADS MUST ALWAYS BE NUMBERED AS SHOWN.

REV. DESC: REVISE TO SHOW OPTIONAL COLORS			
REV. LTR: C	BY: JLP	REVISED: 01/21/99 2:28	TDR: 0171435
0810D0		FILE: AAA00005148	MDL: -
		MTL: -	

BALDOR ELECTRIC Co.

3PH, DV, 9 LEADS, DELTA CONNECTION

CD0180