

**BALDOR® • RELIANCE** 

**Product Information Packet**

**ZDVSNM3542**

**.75HP,1740RPM,3PH,60HZ,56C,3518M,TENV,F1**

Part Detail							
Revision:	N	Status:	PRD/A	Change #:		Proprietary:	No
Type:	AC	Elec. Spec:	35WGP559	CD Diagram:	CD0005	Mfg Plant:	
Mech. Spec:	35R457	Layout:	35LYR457	Poles:	04	Created Date:	12-01-2010
Base:	RG	Eff. Date:	05-16-2018	Leads:	9#18		

Specs			
Catalog Number:	ZDVSNM3542	Inverter Code:	Inverter Duty
Enclosure:	TENV	KVA Code:	M
Frame:	56C	Lifting Lugs:	No Lifting Lugs
Frame Material:	Steel	Locked Bearing Indicator:	Locked Bearing
Output @ Frequency:	.750 HP @ 60 HZ	Motor Lead Quantity/Wire Size:	9 @ 18 AWG
Synchronous Speed @ Frequency:	1800 RPM @ 60 HZ	Motor Lead Exit:	Ko Box
Voltage @ Frequency:	230.0 V @ 60 HZ	Motor Lead Termination:	Flying Leads
	460.0 V @ 60 HZ	Motor Type:	3518M
XP Class and Group:	None	Mounting Arrangement:	F1
XP Division:	Not Applicable	Power Factor:	78
Agency Approvals:	UR	Product Family:	General Purpose
	CSA	Pulley End Bearing Type:	Ball
Auxillary Box:	No Auxillary Box	Pulley Face Code:	C-Face
Auxillary Box Lead Termination:	None	Pulley Shaft Indicator:	Standard
Base Indicator:	Rigid	Rodent Screen:	None
Bearing Grease Type:	Polyrex EM (-20F +300F)	RoHS Status:	ROHS COMPLIANT
Blower:	None	Shaft Extension Location:	Pulley End
Current @ Voltage:	1.100 A @ 460.0 V	Shaft Ground Indicator:	No Shaft Grounding

	2.200 A @ 230.0 V	<b>Shaft Rotation:</b>	Reversible: Connected Standard
<b>Design Code:</b>	B	<b>Shaft Slinger Indicator:</b>	Shaft Slinger
<b>Drip Cover:</b>	No Drip Cover	<b>Speed Code:</b>	Single Speed
<b>Duty Rating:</b>	CONT	<b>Motor Standards:</b>	NEMA
<b>Electrically Isolated Bearing:</b>	Not Electrically Isolated	<b>Starting Method:</b>	Direct on line
<b>Feedback Device:</b>	ENCODER	<b>Thermal Device - Bearing:</b>	None
<b>Front Face Code:</b>	Encoder/Feedback Device	<b>Thermal Device - Winding:</b>	Normally Closed Thermostat
<b>Front Shaft Indicator:</b>	None	<b>Vibration Sensor Indicator:</b>	No Vibration Sensor
<b>Heater Indicator:</b>	No Heater	<b>Winding Thermal 1:</b>	None
<b>Insulation Class:</b>	H	<b>Winding Thermal 2:</b>	None

Nameplate NP3304L	
CAT NO	ZDVSNM3542
SPEC.	35R457P559Z1
FRAME	56C HP .75 TE
VOLTS	230/460
MAG CUR	1.2/.6 FLA 2.2/1.1
RPM	1740 RPM MAX 6000
HZ	60 PH 3 CLASS H
SER.F.	1.00 SL HZ 2
NEMA-NOM-EFF	82.5 WK2 0.106
RATING	40C AMB-CONT
DE BRG	6205 ODE BRG 6203
CC	SER.NO

Parts List		
Part Number	Description	Quantity
SA213122	SA 35R457P559Z1	1.000 EA
RA200348	RA 35R457P559Z1	1.000 EA
NS2512A01	INSULATOR, CONDUIT BOX X	1.000 EA
35CB3007	35 CB CASTING W/.88 DIA. LEAD HOLE	1.000 EA
36GS1000SP	GASKET-CONDUIT BOX, .06 THICK #SV-330 LE	1.000 EA
51XB1016A07	10-16 X 7/16 HXWSSLD SERTYB	2.000 EA
11XW1032G06	10-32 X .38, TAPTITE II, HEX WSHR SLTD U	1.000 EA
35EP3122K01	K00 W/SH ENC CVR	1.000 EA
HW5100A03	WAVY WASHER (W1543-017)	1.000 EA
35EP3307F00	MASTER DE,205 BRG,.998SH,#26 DRN	1.000 EA
51XN1032A20	10-32 X 1 1/4 HX WS SL SR	2.000 EA
10XN2520A08	1/4-20X1/2 HEX HEAD CAP	1.000 EA
35FH4801G	THRU-SHAFT ENCODER COVER INV/VECTOR F1 &	1.000 EA
10XN2520A08	1/4-20X1/2 HEX HEAD CAP	4.000 EA
35CB4521GX	CONDUIT BOX LID KIT **ORDER INDIV PARTS	1.000 EA
51XW0832A07	8-32 X .44, TAPTITE II, HEX WSHR SLTD SE	4.000 EA
HA1005A05SP	SLINGER, OD 1.50, ID .659, 203 BRG	1.000 EA
HW2501D13	KEY, 3/16 SQ X 1.375	1.000 EA
HA7000A04	KEY RETAINER 0.625 DIA SHAFTS	1.000 EA
MJ5004A05	#242-21 LOCTITE GENERAL PURPOSE MED. STR	0.005 EA
85XU0407S04	4X1/4 U DRIVE PIN STAINLESS	2.000 EA
MJ1000A02	GREASE, POLYREX EM EXXON (USe 4824-15A)	0.050 LB
OE5011A05SP	HS25 ENCODER ASSY - TENV	1.000 EA
MG1025N19	MUNSELL 8.5BG 3.57/2.0, GLOSS 30, B/G,	0.017 GA

<b>Parts List (continued)</b>		
<b>Part Number</b>	<b>Description</b>	<b>Quantity</b>
HA3100A12	THRUBOLT 10-32 X 7.375	4.000 EA
LB1119N	WARNING LABEL	1.000 EA
LC0145B01	CONNECTION LABEL	1.000 EA
NP3304L	ALUM VEC UL CSA CC (W/OUT DESIGN FIELD)	1.000 EA
36PA1000	PKG GRP, PRINT PK1016A06	1.000 EA
MN416A01	TAG-INSTAL-MAINT no wire (1200/bx) 5/18	1.000 EA
PE-0000001	ZRTG PE ASSEMBLY	1.000 EA
FE-0000001	ZRTG FE ASSEMBLY	1.000 EA

Catalog	ZDVSNM3542	NP VOLTS	230/460	ENCLOSURE	TENV	WYE CONN EQ. CKT OHMS PER PHASE (BASE RATING, 200)			
FRAME	56C	NP AMPS	2.2/1.1	MAX SAFE RPM	2700	R1	11.662	X1	14.221
HP	0.75	DUTY	Cont	NL AMPS	0.64	R2	7.373	X2	9.43
BASE SPEED	1740	S.F.	1.00	P.F. @NL/FL	0/78			XM	368.338
PHASE/HZ	3/60	AMIB <sup>®</sup> C/INSUL	40/H	WK <sup>2</sup> (lb-ft <sup>2</sup> )	0.112				

**Rated Full Load Data**


	RPM	HP	Torque	Volts	Freq-Hz	Amps
Base Speed	1743	0.8	2.3	460	60	1.1
Max Speed	2700	0.8	1.5	460	90	1.0
Min Speed	0	0.0	2.3	47.80	1.90	1.1

**Load Performance at Base Speed**

	RPM	HP	Torque	Volts	Freq-Hz	Amps
No Load	1799	0.0	0.0	460	60	0.6
1/4	1787	0.2	0.5	460	60	0.7
1/2	1773	0.4	1.1	460	60	0.8
3/4	1758	0.6	1.7	460	60	0.9
Full Load	1743	0.8	2.3	460	60	1.1
O/L	1688	1.5	4.7	460	60	1.9

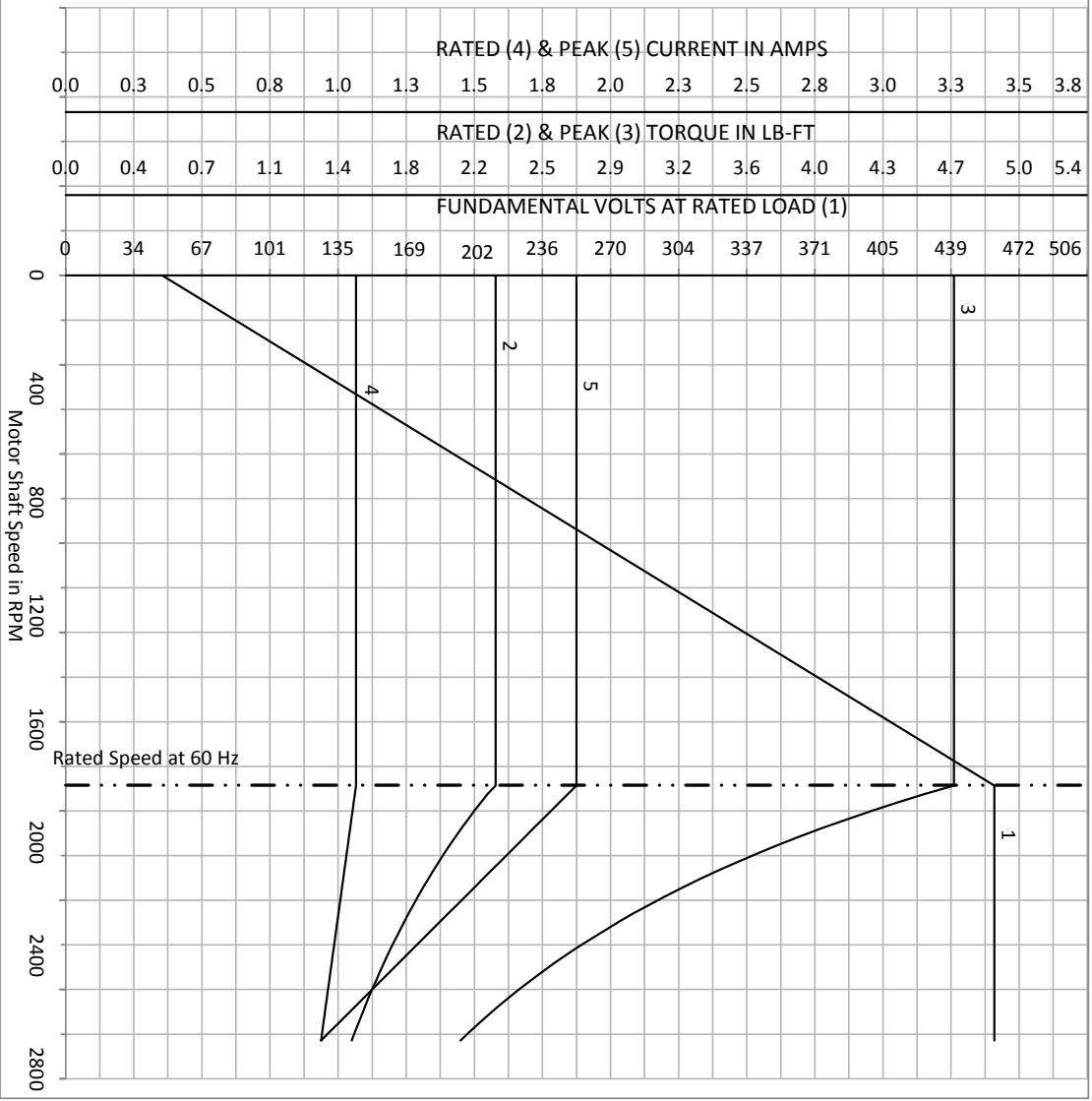
Blower Data	Volts	Pn/Hz	FL Amps	LR Amps	Frame	CFM

Remarks: Calculated Data  
Vector PWM Inverter Duty

 <p><b>A MEMBER OF THE ABB GROUP</b></p>	DR BY	HDO	A-C MOTOR	<p><b>35R457P559Z1</b></p> <p>PERFORMANCE CURVES</p> <p>ISSUE DATE: 3/17/2015</p>
	CK BY			
	APP BY	HDO		
	DATE	3/17/2015		

Catalog	ZDVSNM3542	VOLTS	230/460	ENCLOSURE	TENV	WYE CONN. EQ. CKT. OHMS PER PHASE (BASE RATING, 200)
FRAME	56C	AMPS	2.2/1.1	MAX SAFE RPM	2700	R1 11.662 X1 14.221
HP	0.75	DUTY	Cont	In (AMPS)	0.64	R2 7.373 X2 9.434
BASE SPEED	1740	S.F.	1.00	P.F. @NL/FL	0/78	XM 368.338
PHASE/HZ	3/60	AMB °C/INSI	40/H	WK² (lb-ft²)	0.112	

Vector PWM Inverter Duty  
Variable Speed AC Motor Curves



Calculated Data

Data Valid For Nameplate Speed Range only

**A MEMBER OF THE ABB GROUP**

DR BY HDO

CK BY HDO

APP BY HDO

DATE 3/17/2015

**A-C MOTOR PERFORMANCE CURVES**

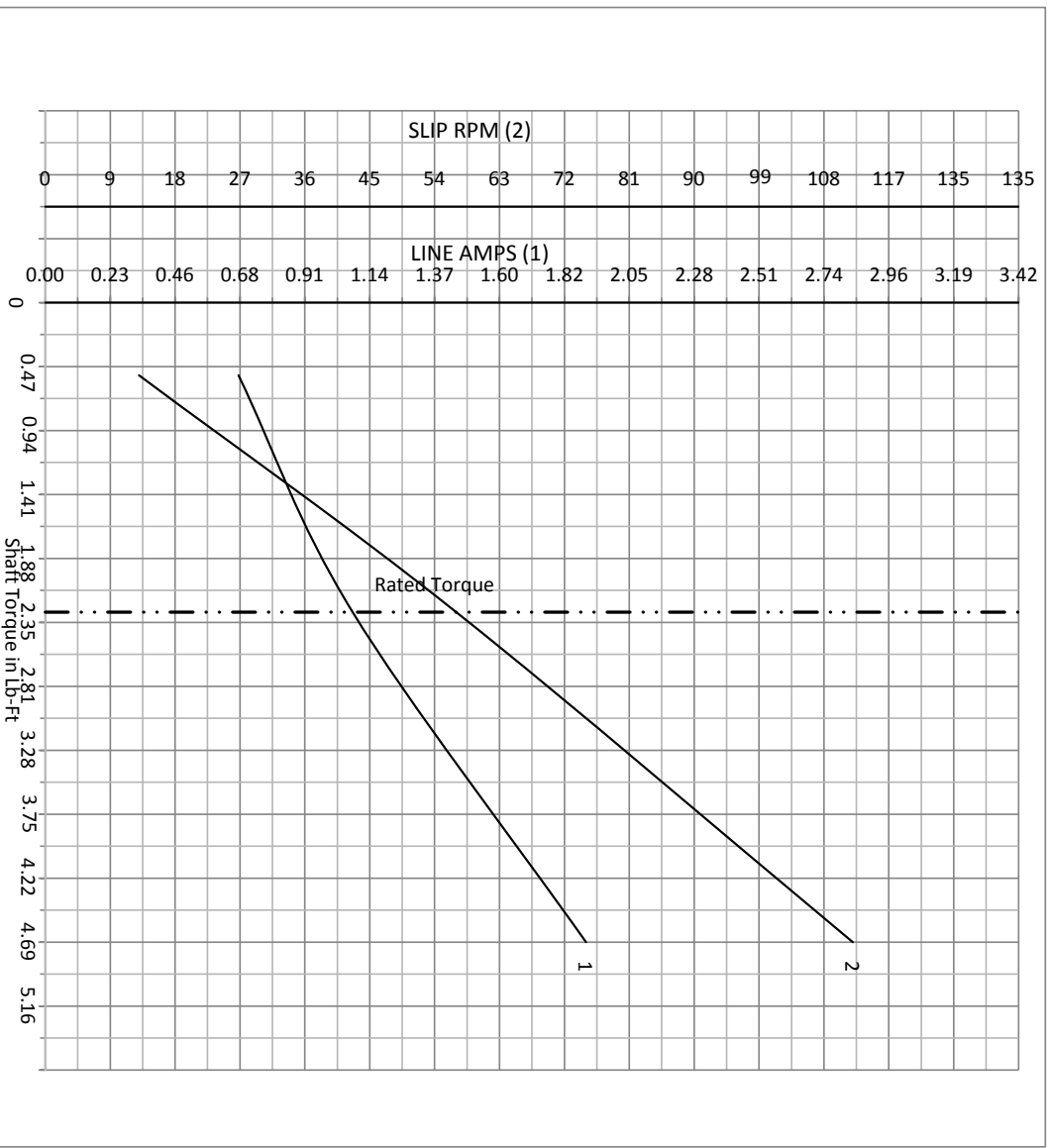
**35R457P55S9Z1**

ISSUE DATE: 3/17/2015



Catalog	ZDVSNM3542	NP VOLTS	230/460	ENCLOSURE	TENV	WYE CONN EQ CKT OHMS PER PHASE (BASE RATING, 200)			
FRAME	56C	NP AMPS	2.2/1.1	MAX SAFE RPM	2700	R1	11.662	X1	14.221
HP	0.75	DUTY	Cont	NL AMPS	0.64	R2	7.373	X2	9.434
BASE SPEED	1740	S.F.	1.00	P.F. @NL/FL	0/78			XM	368.338
PHASE/HZ	3/60	AMB <sup>3</sup> C/INSUL	40/H	WK <sup>2</sup> (lb-ft <sup>2</sup> )	0.112				

Vector PWM Inverter Duty  
Variable Speed AC Motor Curves

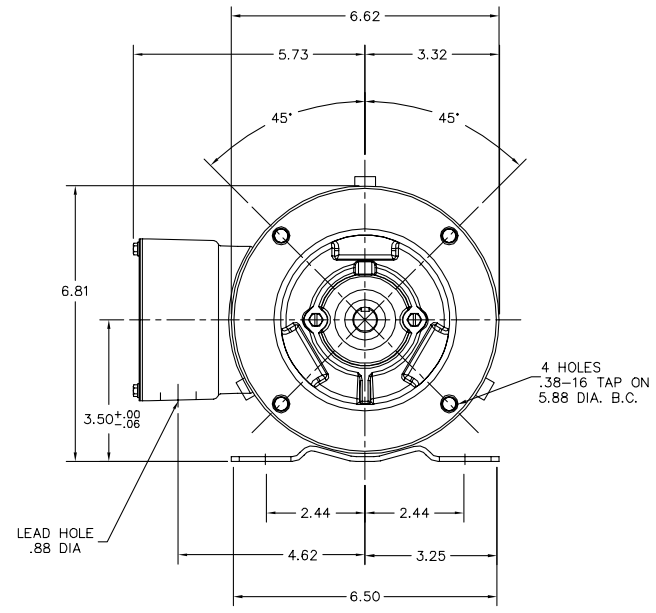
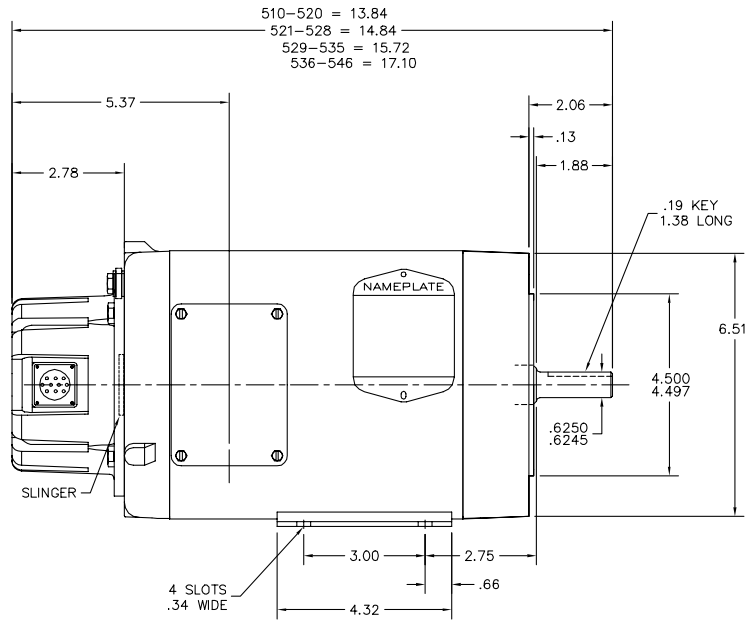


Calculated Data  
Data Valid For Nameplate Speed Range only

**BALDOR**  
A MEMBER OF THE ABB GROUP

DR BY	HDO	A-C MOTOR	35R457P559Z1
CK BY		PERFORMANCE	
APP BY	HDO	CURVES	
DATE	3/17/2015	ISSUE DATE	3/17/2015

35LYR457

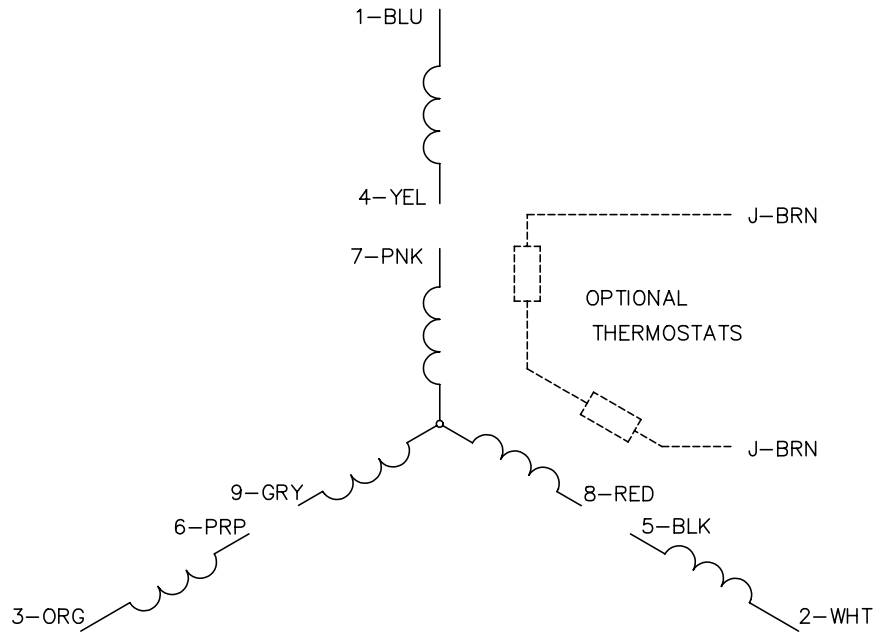


35LYR457

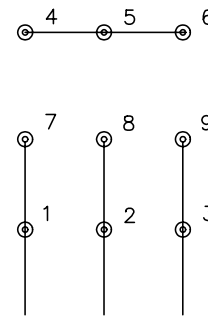
CUSTOMER IS RESPONSIBLE FOR DETERMINING THAT BALDOR'S PRODUCT WILL PERFORM SUITABLY IN THE INTENDED APPLICATION.

REV. DESC: UPDATE ENDPLATES AND NOTES			TDR: 000001069917	<b>BALDOR - RELIANCE</b> ®
REV. LTR: C	VERSION: 02			
FILE: \AAA\00075\729	REVISED: 02:05:34 05/14/2018	BY: FPJFEG0	STD HORZ 56C TENV 35M VECTOR W/ THRU-SHAFT ENCODER & COVER	
MTL: -			SH 1 of 1	

CD0005

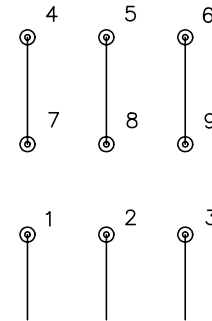


LOW VOLTAGE  
(2Y)



LINE

HIGH VOLTAGE  
(1Y)



LINE

NOTES:

1. INTERCHANGE ANY TWO LINE LEADS TO REVERSE ROTATION.
2. OPTIONAL THERMOSTATS ARE PROVIDED WHEN SPECIFIED.
3. ACTUAL NUMBER OF INTERNAL PARALLEL CIRCUITS MAY BE A MULTIPLE OF THOSE SHOWN ABOVE.
4. LEAD COLORS ARE OPTIONAL. LEADS MUST ALWAYS BE NUMBERED AS SHOWN.

REV. DESC: REVISE TO SHOW OPTIONAL COLORS			
REV. LTR: E	BY: JLP	REVISED: 01/19/99 10:15	TDR: 0171435
9000D		FILE: AAA00005140	MDL: -
		MTL: -	

**BALDOR ELECTRIC Co.**

3PH, DV, 9 LEADS

CD0005