

**BALDOR® • RELIANCE** 

**Product Information Packet**

**ZDVSNM3584T**

**1.5HP, 1755RPM, 3PH, 60HZ, 145TC, 0533M, TENV**

Part Detail							
Revision:	M	Status:	PRD/A	Change #:		Proprietary:	No
Type:	AC	Elec. Spec:	05WGX130	CD Diagram:	CD0005	Mfg Plant:	
Mech. Spec:	05E532	Layout:	05LYE532	Poles:	04	Created Date:	08-24-2010
Base:	RG	Eff. Date:	02-02-2017	Leads:	9#18		

Specs			
Catalog Number:	ZDVSNM3584T	Inverter Code:	Inverter Duty
Enclosure:	TENV	KVA Code:	M
Frame:	145TC	Lifting Lugs:	No Lifting Lugs
Frame Material:	Iron	Locked Bearing Indicator:	Locked Bearing
Output @ Frequency:	1.500 HP @ 60 HZ	Motor Lead Quantity/Wire Size:	9 @ 18 AWG
Synchronous Speed @ Frequency:	1800 RPM @ 60 HZ	Motor Lead Exit:	Ko Box
Voltage @ Frequency:	230.0 V @ 60 HZ	Motor Lead Termination:	Flying Leads
	460.0 V @ 60 HZ	Motor Type:	0534M
XP Class and Group:	None	Mounting Arrangement:	F1
XP Division:	Not Applicable	Power Factor:	76
Agency Approvals:	UR	Product Family:	General Purpose
	CSA	Pulley End Bearing Type:	Ball
Auxillary Box:	No Auxillary Box	Pulley Face Code:	C-Face
Auxillary Box Lead Termination:	None	Pulley Shaft Indicator:	Standard
Base Indicator:	Rigid	Rodent Screen:	None
Bearing Grease Type:	Polyrex EM (-20F +300F)	RoHS Status:	ROHS COMPLIANT
Blower:	None	Shaft Extension Location:	Pulley End
Current @ Voltage:	2.100 A @ 460.0 V	Shaft Ground Indicator:	No Shaft Grounding

	4.200 A @ 230.0 V	<b>Shaft Rotation:</b>	Reversible
<b>Design Code:</b>	B	<b>Shaft Slinger Indicator:</b>	Shaft Slinger
<b>Drip Cover:</b>	No Drip Cover	<b>Speed Code:</b>	Single Speed
<b>Duty Rating:</b>	CONT	<b>Motor Standards:</b>	NEMA
<b>Electrically Isolated Bearing:</b>	Not Electrically Isolated	<b>Starting Method:</b>	Direct on line
<b>Feedback Device:</b>	ENCODER	<b>Thermal Device - Bearing:</b>	None
<b>Front Face Code:</b>	Encoder/Feedback Device	<b>Thermal Device - Winding:</b>	Normally Closed Thermostat
<b>Front Shaft Indicator:</b>	None	<b>Vibration Sensor Indicator:</b>	No Vibration Sensor
<b>Heater Indicator:</b>	No Heater	<b>Winding Thermal 1:</b>	None
<b>Insulation Class:</b>	H	<b>Winding Thermal 2:</b>	None

Nameplate NP3304L	
CAT NO	ZDVSNM3584T
SPEC.	05E532X130Z1
FRAME	145TC HP 1.5 TE
VOLTS	230/460
MAG CUR	2.4/1.2 FLA 4.2/2.1
RPM	1755 RPM MAX 4500
HZ	60 PH 3 CLASS H
SER.F.	1.00 SL HZ 1.5
NEMA-NOM-EFF	86.5 WK2 0.201
RATING	40C AMB-CONT
DE BRG	6205 ODE BRG 6203
CC	010A SER.NO

Parts List		
Part Number	Description	Quantity
SA202467	SA 05E532X130Z1	1.000 EA
RA189745	RA 05E532X130Z1	1.000 EA
06CB3000	BALDOR CONDUIT BOX CAST	1.000 EA
06GS1000	GASKET,CONDUIT BOX	1.000 EA
51XW2520A12	SCREW, HEX SER SLT HD, ZN, 1/4-20 X .75	2.000 EA
51XW2520A12	.25-20 X .75, TAPTITE II, HEX WSHR SLTD	2.000 EA
11XW1032G06	10-32 X .38, TAPTITE II, HEX WSHR SLTD U	1.000 EA
HW3001B01	BRASS CUP WASHER, FOR #10 SCREW	1.000 EA
35EP1100B45	FRONT TENV 203 BRG W/GRSR & THRU-SHAFT E	1.000 EA
HW4500A01	1641B(ALEMITE)400 UNIV, GREASE FITT	1.000 EA
HW5100A03	WAVY WASHER (W1543-017)	1.000 EA
35EP1329A01	PU EP ENCL 143-5TC 205 BRG W/GRSR & STD	1.000 EA
HW4500A01	1641B(ALEMITE)400 UNIV, GREASE FITT	1.000 EA
51XN1032A20	10-32 X 1 1/4 HX WS SL SR	2.000 EA
HA3100A28	THRUBOLT 10-32 X 8.187	4.000 EA
10XN2520A08	1/4-20X1/2 HEX HEAD CAP	1.000 EA
35FH4801G	THRU-SHAFT ENCODER COVER INV/VECTOR F1 &	1.000 EA
10XN2520A08	1/4-20X1/2 HEX HEAD CAP	4.000 EA
06CB3500	BALDOR CONDUIT BOX LID	1.000 EA
06GS1001	BALDOR CONDUIT BOX GASKET	1.000 EA
HW2501D13	KEY, 3/16 SQ X 1.375	1.000 EA
HA1005A05SP	SLINGER, OD 1.50, ID .659, 203 BRG	1.000 EA
HA7000A01	KEY RETAINER 7/8" DIA SHAFT	1.000 EA
MJ5004A05	#242-21 LOCTITE GENERAL PURPOSE MED. STR	0.005 EA

<b>Parts List (continued)</b>		
<b>Part Number</b>	<b>Description</b>	<b>Quantity</b>
85XU0407S04	4X1/4 U DRIVE PIN STAINLESS	2.000 EA
MJ1000A02	GREASE, POLYREX EM EXXON (USe 4824-15A)	0.050 LB
OE5011A05SP	HS25 ENCODER ASSY - TENV	1.000 EA
MG1025N19	MUNSELL 8.5BG 3.57/2.0, GLOSS 30, B/G,	0.022 GA
LB1119N	WARNING LABEL	1.000 EA
LC0145B01	CONNECTION LABEL	1.000 EA
NP3304L	ALUM VEC UL CSA CC (W/OUT DESIGN FIELD)	1.000 EA
36PA1001	PKG GRP, PRINT PK1017A06	1.000 EA
MN416A01	TAG-INSTAL-MAINT no wire (1200/bx) 5/18	1.000 EA

Catalog	ZDVSNM3584T	NP VOLTS	230/460	ENCLOSURE	TENV	WYE CONN EQ. CKT OHMS PER PHASE (BASE RATING, 200)			
FRAME	145TC	NP AMPS	4.2/2.1	MAX SAFE RPM	2700	R1	4.231	X1	8.770
HP	1.5	DUTY	Cont	NL AMPS	1.17	R2	2.928	X2	7.81
BASE SPEED	1755	S.F.	1.00	P.F. @NL/FL	0/76			XM	217.395
PHASE/HZ	3/60	AMIB <sup>®</sup> C/NSUL	40/H	WK <sup>2</sup> (lb-ft <sup>2</sup> )	0.195				

**Rated Full Load Data**

	RPM	HP	Torque	Volts	Freq-Hz	Amps
Base Speed	1764	1.5	4.5	460	60	2.1
Max Speed	2700	1.5	3.0	460	90	1.9
Min Speed	0	0.0	4.5	32.31	1.20	2.1

**Load Performance at Base Speed**

	RPM	HP	Torque	Volts	Freq-Hz	Amps
No Load	1799	0.0	0.0	460	60	1.2
1/4	1791	0.4	1.1	460	60	1.3
1/2	1782	0.7	2.2	460	60	1.5
3/4	1773	1.1	3.3	460	60	1.8
Full Load	1764	1.5	4.5	460	60	2.1
O/L	1722	3.0	9.1	460	60	3.8

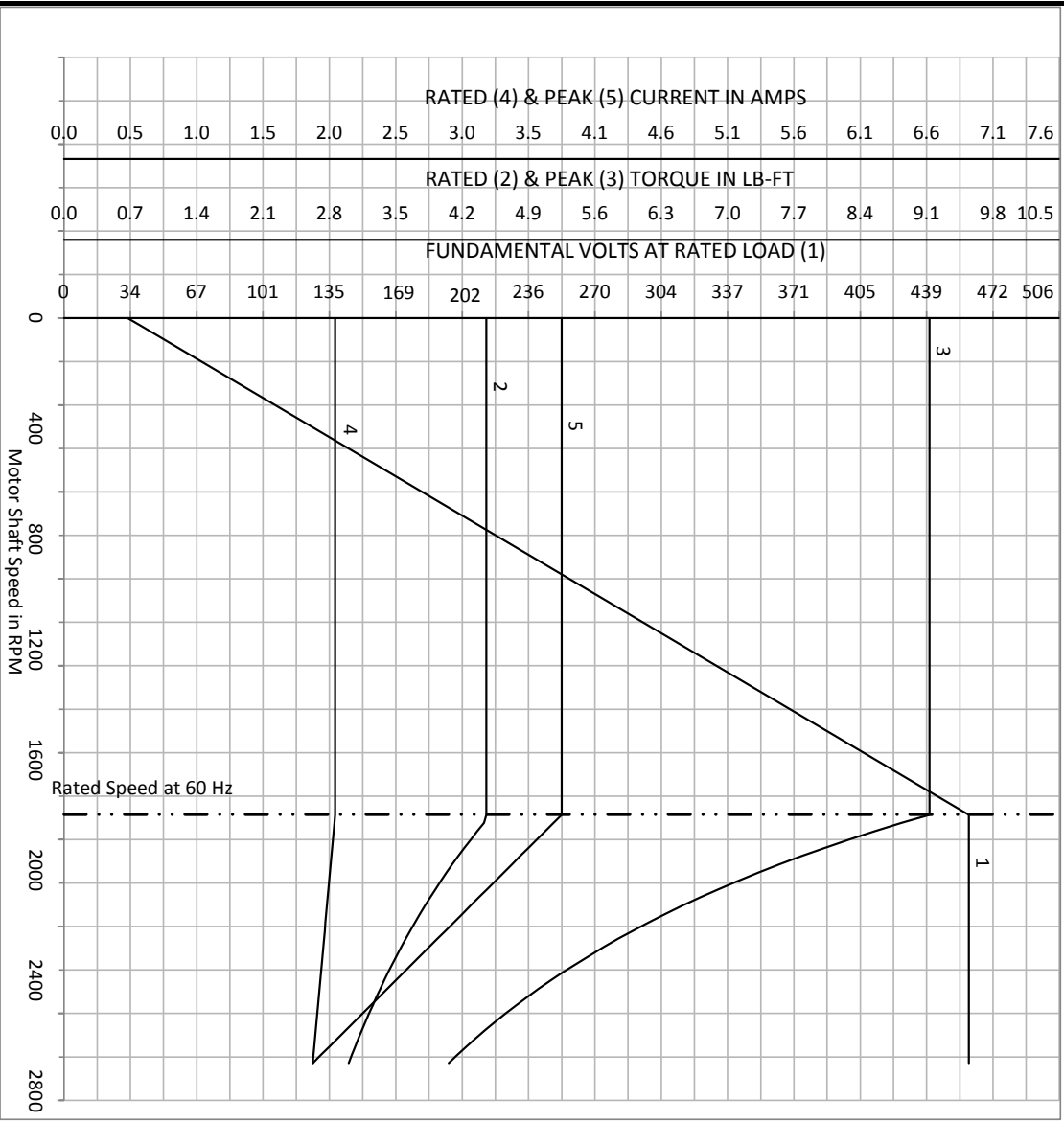
Blower Data	Volts	Pn/Hz	FL Amps	LR Amps	Frame	CFM

Remarks: Calculated Data  
Vector PWM Inverter Duty

 <p><b>A MEMBER OF THE ABB GROUP</b></p>	DR BY	HDO	A-C MOTOR PERFORMANCE CURVES	05E532X130Z1
	CK BY			
	APP BY	HDO	ISSUE DATE: 3/17/2015	
	DATE	3/17/2015		

Catalog	ZDVSNM3584T	VOLTS	230/460	ENCLOSURE	TENV	WYE CONN. EQ. CKT. OHMS PER PHASE (BASE RATING, 200)
FRAME	145TC	AMPS	4.2/2.1	MAX SAFE RPM	2700	R1 4.231 X1 8.77
HP	1.5	DUTY	Cont	In (AMPS)	1.17	R2 2.928 X2 7.81
BASE SPEED	1755	S.F.	1.00	P.F. @NL/FL	0/76	XM 217.395
PHASE/HZ	3/60	AMB °C/INSI	40/H	WK² (lb-ft²)	0.195	

Variable Speed AC Motor Curves  
Vector PWM Inverter Duty



Calculated Data  
Data Valid For Nameplate Speed Range only

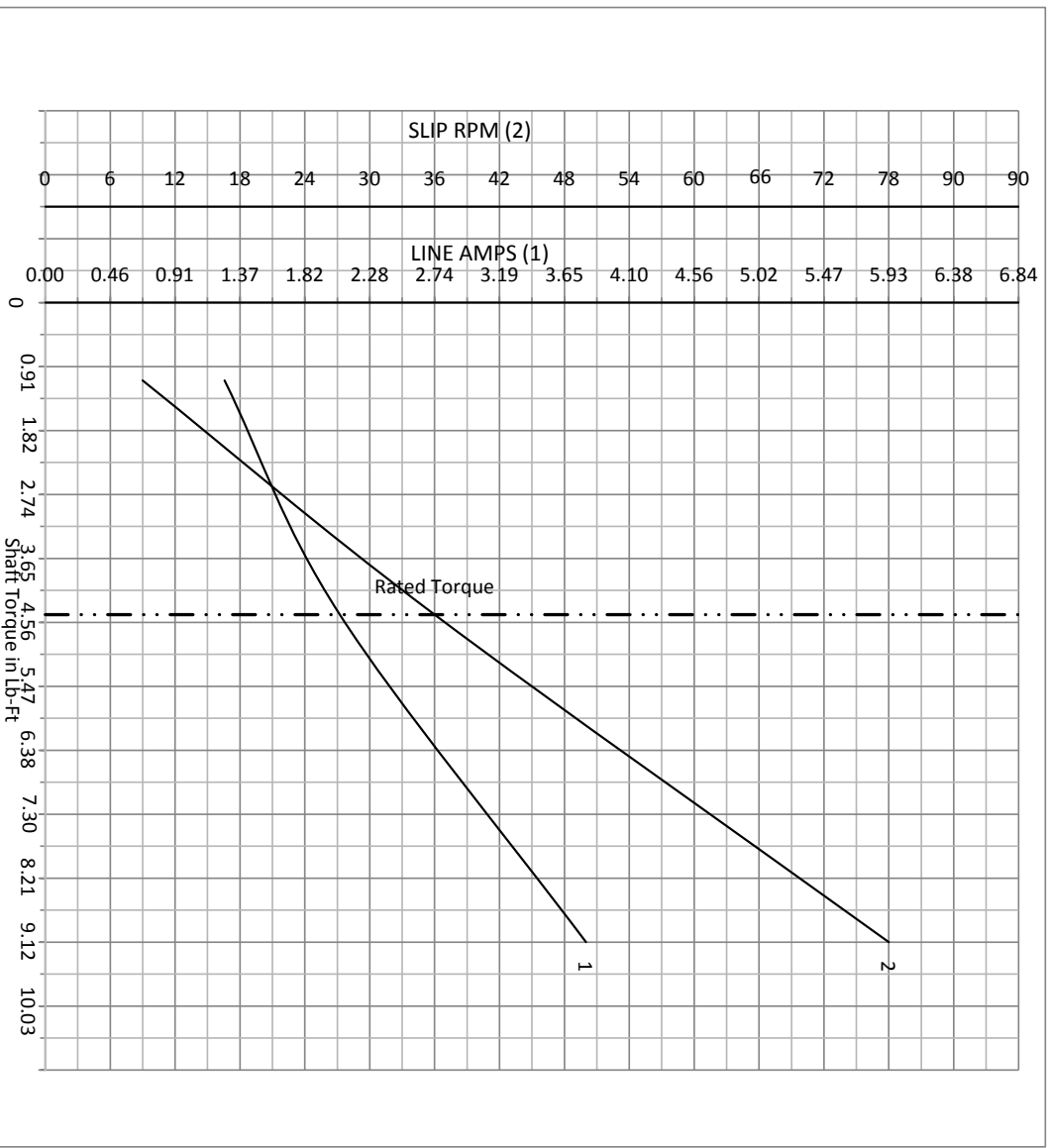
**BALDOR**  
A MEMBER OF THE ABB GROUP

DR BY	HDO	A-C MOTOR	05E532X130Z1
CK BY		PERFORMANCE	
APP BY	HDO	CURVES	
DATE	3/17/2015	ISSUE DATE	3/17/2015



Catalog	ZDVSNM3584T	NP VOLTS	230/460	ENCLOSURE	TENV	WYE CONN EQ.CKT OHMS PER PHASE (BASE RATING, 200)
FRAME	145TC	NP AMPS	4.2/2.1	MAX SAFE RPM	2700	R1 4.231 X1 8.77
HP	1.5	DUTY	Cont	NL AMPS	1.17	R2 2.928 X2 7.81
BASE SPEED	1755	S.F.	1.00	P.F. @NL/FL	0/76	XM 217.395
PHASE/HZ	3/60	AMB <sup>3</sup> C/INSUL	40/H	WK <sup>2</sup> (lb-ft <sup>2</sup> )	0.195	

Vector PWM Inverter Duty  
Variable Speed AC Motor Curves

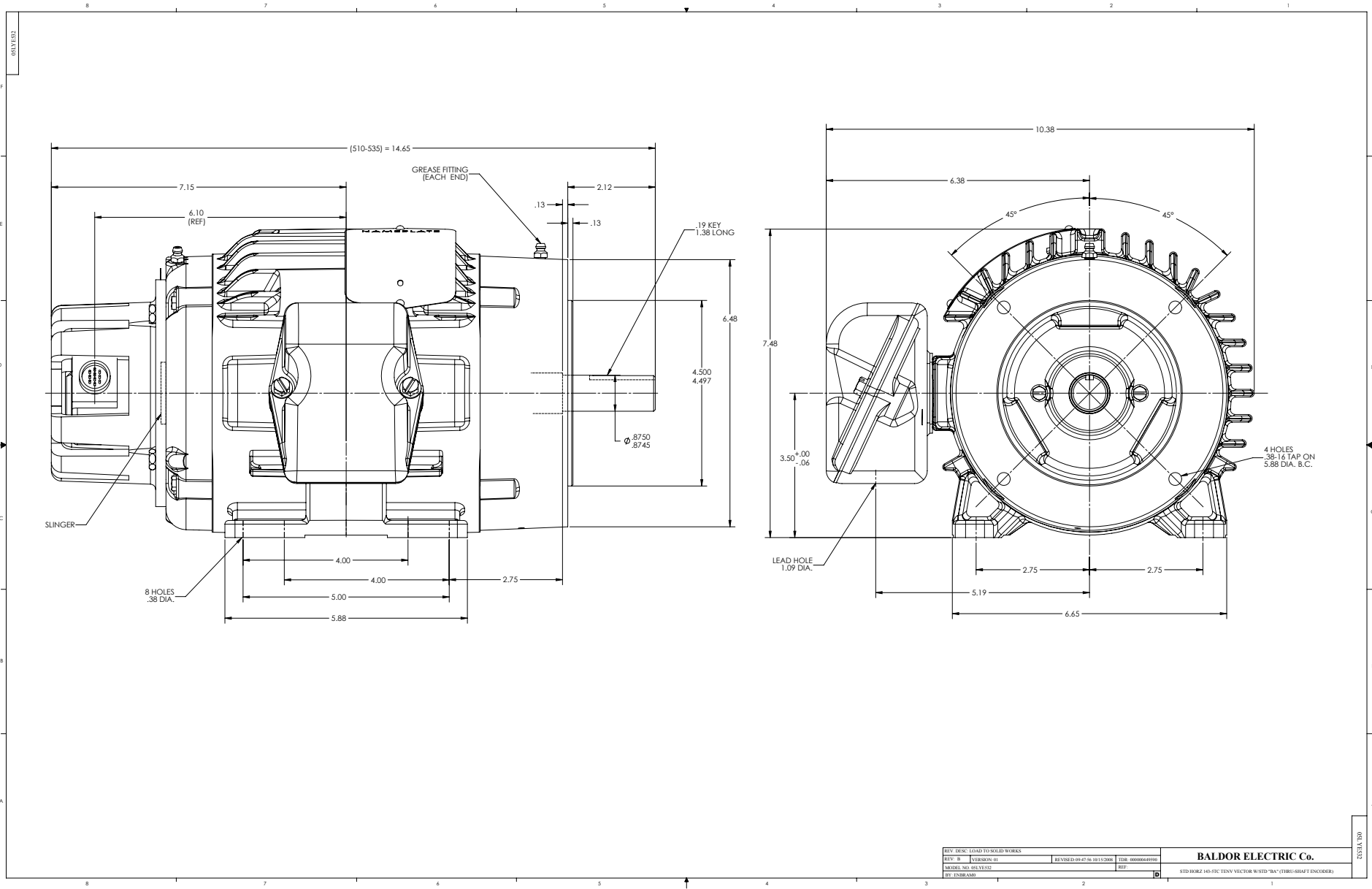


Calculated Data

Data Valid For Nameplate Speed Range only

**BALDOR**  
A MEMBER OF THE ABB GROUP

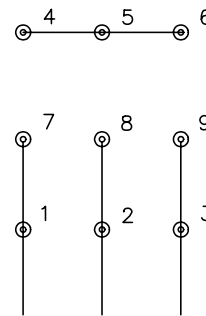
DR BY	HDO	A-C MOTOR	05E532X130Z1
CK BY		PERFORMANCE	
APP BY	HDO	CURVES	
DATE	3/17/2015	ISSUE DATE	3/17/2015



CD0005

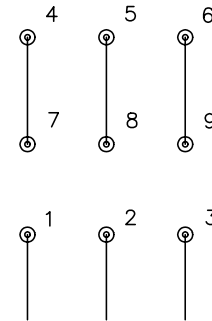


LOW VOLTAGE  
(2Y)



LINE

HIGH VOLTAGE  
(1Y)



LINE

NOTES:

1. INTERCHANGE ANY TWO LINE LEADS TO REVERSE ROTATION.
2. OPTIONAL THERMOSTATS ARE PROVIDED WHEN SPECIFIED.
3. ACTUAL NUMBER OF INTERNAL PARALLEL CIRCUITS MAY BE A MULTIPLE OF THOSE SHOWN ABOVE.
4. LEAD COLORS ARE OPTIONAL. LEADS MUST ALWAYS BE NUMBERED AS SHOWN.

REV. DESC: REVISE TO SHOW OPTIONAL COLORS

REV. LTR: E BY: JLP

REVISED: 01/19/99 10:15

TDR: 0171435

90000

FILE: AAA00005140

MDL: -

MTL: -

**BALDOR ELECTRIC Co.**

3PH, DV, 9 LEADS

CD0005