

**BALDOR® • RELIANCE** 

**Product Information Packet**

**ZDVSNM3665T**

**5HP, 1750RPM, 3PH, 60HZ, 184TC, 0642M, TENV, F1**

Part Detail							
Revision:	H	Status:	PRD/A	Change #:		Proprietary:	No
Type:	AC	Elec. Spec:	06WGX369	CD Diagram:	CD0005	Mfg Plant:	
Mech. Spec:	06H929	Layout:	06LYH929	Poles:	04	Created Date:	09-05-2012
Base:	RG	Eff. Date:	04-26-2017	Leads:	9#16		

Specs			
Catalog Number:	ZDVSNM3665T	Inverter Code:	Inverter Duty
Enclosure:	TENV	KVA Code:	K
Frame:	184TC	Lifting Lugs:	Standard Lifting Lugs
Frame Material:	Iron	Locked Bearing Indicator:	Locked Bearing
Output @ Frequency:	5.000 HP @ 60 HZ	Motor Lead Quantity/Wire Size:	9 @ 16 AWG
Synchronous Speed @ Frequency:	1800 RPM @ 60 HZ	Motor Lead Exit:	Ko Box
Voltage @ Frequency:	230.0 V @ 60 HZ	Motor Lead Termination:	Flying Leads
	460.0 V @ 60 HZ	Motor Type:	0642M
XP Class and Group:	None	Mounting Arrangement:	F1
XP Division:	Not Applicable	Power Factor:	80
Agency Approvals:	UR	Product Family:	General Purpose
	CSA	Pulley End Bearing Type:	Ball
Auxillary Box:	No Auxillary Box	Pulley Face Code:	C-Face
Auxillary Box Lead Termination:	None	Pulley Shaft Indicator:	Standard
Base Indicator:	Rigid	Rodent Screen:	None
Bearing Grease Type:	Polyrex EM (-20F +300F)	RoHS Status:	ROHS COMPLIANT
Blower:	None	Shaft Extension Location:	Pulley End
Current @ Voltage:	13.200 A @ 230.0 V	Shaft Ground Indicator:	No Shaft Grounding

	6.600 A @ 460.0 V	<b>Shaft Rotation:</b>	Reversible
<b>Design Code:</b>	A	<b>Shaft Slinger Indicator:</b>	No Slinger
<b>Drip Cover:</b>	No Drip Cover	<b>Speed Code:</b>	Single Speed
<b>Duty Rating:</b>	CONT	<b>Motor Standards:</b>	NEMA
<b>Electrically Isolated Bearing:</b>	Not Electrically Isolated	<b>Starting Method:</b>	Direct on line
<b>Feedback Device:</b>	ENCODER	<b>Thermal Device - Bearing:</b>	None
<b>Front Face Code:</b>	Encoder/Feedback Device	<b>Thermal Device - Winding:</b>	Normally Closed Thermostat
<b>Front Shaft Indicator:</b>	No Key Or Flat	<b>Vibration Sensor Indicator:</b>	No Vibration Sensor
<b>Heater Indicator:</b>	No Heater	<b>Winding Thermal 1:</b>	None
<b>Insulation Class:</b>	F	<b>Winding Thermal 2:</b>	None

Nameplate NP1167L	
CAT NO	ZDVSNM3665T
SPEC.	06H929X369Z1
FRAME	184TC HP 5 TE
VOLTS	230/460
MAG CUR	7.2/3.6 FLA 13.2/6.6
RPM	1750 RPM MAX 6000
HZ	60 PH 3 CLASS F
SER.F.	1.00 DES A SL HZ 1.6
NEMA-NOM-EFF	89.5 WK2 0.39
BLWR V	PH HZ A
RATING	40C AMB-CONT
DE BRG	6206 ODE BRG 6206
CC	010A SN 1.5:1 CHP PWM

Parts List		
Part Number	Description	Quantity
SA251081	SA 06H929X369Z1	1.000 EA
RA237925	RA 06H929X369Z1	1.000 EA
HW3201A05	3/8-16 EYEBOLT	1.000 EA
06CB1000A03	CONDUIT BOX, MACH	1.000 EA
06GS1000	GASKET,CONDUIT BOX	1.000 EA
51XW2520A12	SCREW, HEX SER SLT HD, ZN, 1/4-20 X .75	2.000 EA
11XW1032G06	10-32 X .38, TAPTITE II, HEX WSHR SLTD U	1.000 EA
HW3001B01	BRASS CUP WASHER, FOR #10 SCREW	1.000 EA
36EP1301A81	FRONT 182-4C 206 BRG W/ GRS & DRILLED T-	1.000 EA
HW4500A01	1641B(ALEMITE)400 UNIV, GREASE FITT	1.000 EA
HW5100A06	W2420-025 WVY WSHR (WB)	1.000 EA
36PE1300A01	PU ENDPLATE, MACH	1.000 EA
HW4500A01	1641B(ALEMITE)400 UNIV, GREASE FITT	1.000 EA
10XN2520A26	1/4-20X 1 5/8 HEX HD	4.000 EA
HW1001A25	LOCKWASHER 1/4, ZINC PLT .493 OD, .255 I	4.000 EA
HA3101A39	THRUBOLT 1/4-20 X 10.687	4.000 EA
HA6881	BEI HS35 THRU SHAFT ENCODER PROTECTIVE C	1.000 EA
10XN3816A10	3/8-16 X 5/8 HEX HD CAP SCREW	3.000 EA
06CB1500A01	CONDUIT BOX LID, MACH	1.000 EA
06GS1001	BALDOR CONDUIT BOX GASKET	1.000 EA
10XN2520A12	O1/4-20X 3/4 HEX HEAD CAP	2.000 EA
HW1001A25	LOCKWASHER 1/4, ZINC PLT .493 OD, .255 I	2.000 EA
HW2501E16	KEY, 1/4 SQ X 1.750	1.000 EA
HA7000A02	KEY RETAINER RING, 1 1/8 DIA, 1 3/8 DIA	1.000 EA

<b>Parts List (continued)</b>		
<b>Part Number</b>	<b>Description</b>	<b>Quantity</b>
85XU0407S04	4X1/4 U DRIVE PIN STAINLESS	2.000 EA
LB1115N	LABEL,LIFTING DEVICE (ON ROLLS)	1.000 EA
MJ1000A02	GREASE, POLYREX EM EXXON (USe 4824-15A)	0.050 LB
OE5001A128	ENCDR KIT TENV W/OEHS35A56 W/BLIND SHAFT	1.000 EA
MG1025N19	MUNSELL 8.5BG 3.57/2.0, GLOSS 30, B/G,	0.028 GA
LB1119N	WARNING LABEL	1.000 EA
LC0145B01	CONNECTION LABEL	1.000 EA
NP1167L	SS VEC UL CSA CC	1.000 EA
36PA1001	PKG GRP, PRINT PK1017A06	1.000 EA
MN416A01	TAG-INSTAL-MAINT no wire (1200/bx) 5/18	1.000 EA

REL. S.O.	ZDVSNM3665T	VOLTS	460	ENCLOSURE		TEFC	WYE CONNECTION	CHINS PER PHASE
FRAME	184TC	AMPS	6.6	MAX SAFE RPM	6000	3.6	(AT BASE RATING, 25°C)	
HP	5	DUTY	CONT	In (AMPS)	6/79	R1	1.1200	X1 2.8100
BASE SPEED	1750	S.F.	1.0	P.F. @NL/FL	0.4	R2	0.9210	X2 2.3200
PHASE/HZ	3/60	AMB <sup>0</sup> C/INSUL	40/F	WK <sup>2</sup> (lb-ft <sup>2</sup> )				XMI 68.7200

**Rated Full Load Data**

	RPM	HP	Torque	Volts	Freq-Hz	Amps
Base Speed	1751	5.0	15.00	460	60	6.54
Max Speed	2626	5.0	9.98	460	90	5.95
Min Speed	0	0.0	14.97	32.29	1.63	6.54

**Load Performance at Base Speed**

	RPM	HP	Torque	Volts	Freq-Hz	Amps
No Load	1799	0.0	0.00	460	60	3.60
1/4	1788	1.3	3.74	460	60	3.72
1/2	1777	2.5	7.52	460	60	4.37
3/4	1764	3.8	11.30	460	60	5.41
Full Load	1751	5.0	15.00	460	60	6.54
O/L	1708	10.0	30.70	460	60	12.00

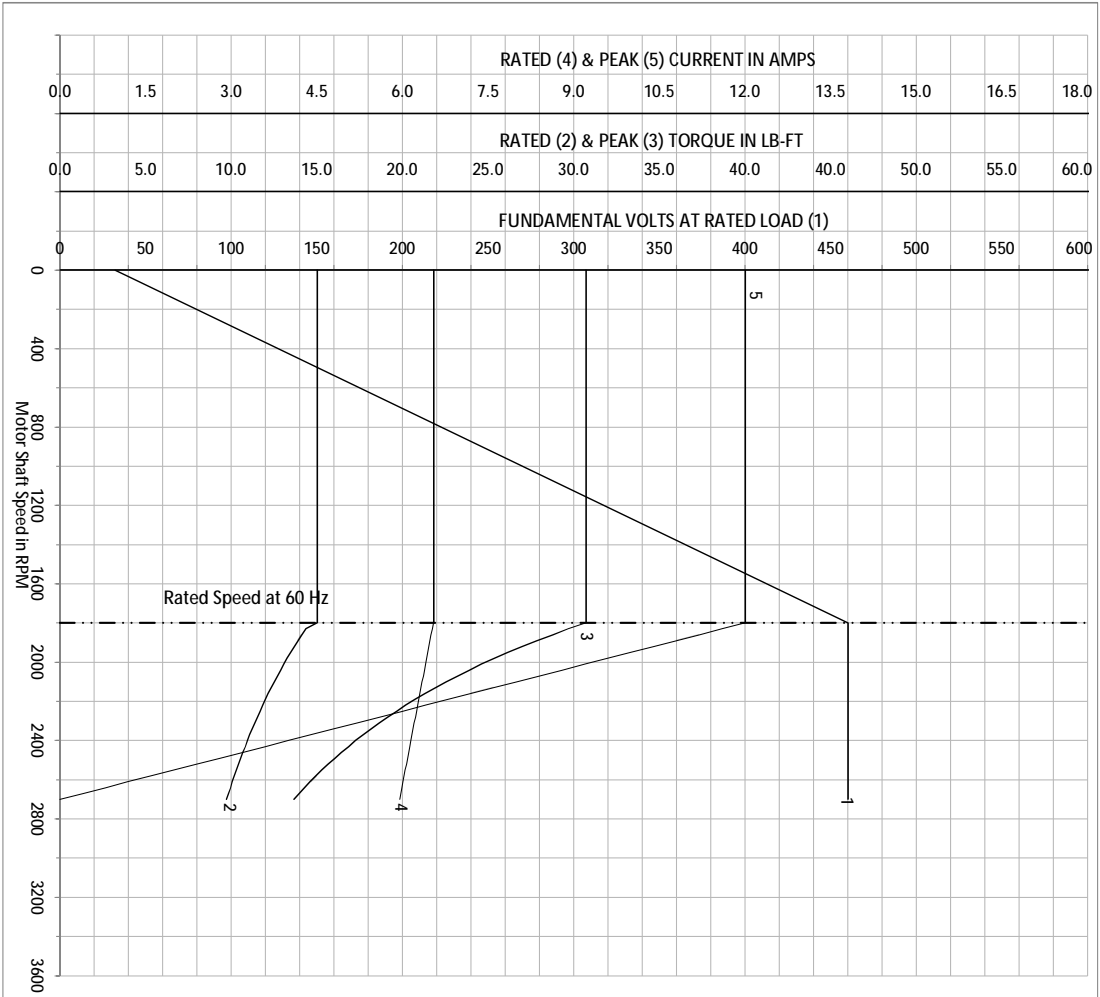
Blower Data	Volts	Ph/Hz	FL Amps	LR Amps	Frame	CFM

Remarks: Calculated Data  
Vector PWM Inverter Duty

 <small>A MEMBER OF THE ABB GROUP</small>	<small>DR BY</small> Michael Williams <small>CK BY</small> Michael Williams <small>APP BY</small> Michael Williams <small>DATE</small> 5/14/2013	A-C MOTOR PERFORMANCE CURVES 06H929X369Z1
	ISSUE DATE 5/14/2013	

REL. S.O.	ZDVSNM3665T	VOLTS	460	ENCLOSURE		TEFC		WYE/CONN. EQ. CKT. OHMS PER PHASE
FRAME	184TC	AMPS	6.6	MAX. SAFE RPM	6000			(AT BASE RATING, 25°C)
HP	5	DUTY	CONT	In (AMPS)	3.6	R1	1.1200	X1
BASE SPEED	1750	S.F.	1.00	P.F. @NL/FL	6/79	R2	0.9210	X2
PHASE/HZ	3/60	AMB <sup>0</sup> C/INSUL.	40/F	WK <sup>2</sup> (lb-ft <sup>2</sup> )	0.4			XM
								68.7200

Vector PWM Inverter Duty  
Variable Speed AC Motor Curves



Calculated Data

Data Valid For Nameplate Speed Range only

**BALDOR**  
A MEMBER OF THE ABB GROUP

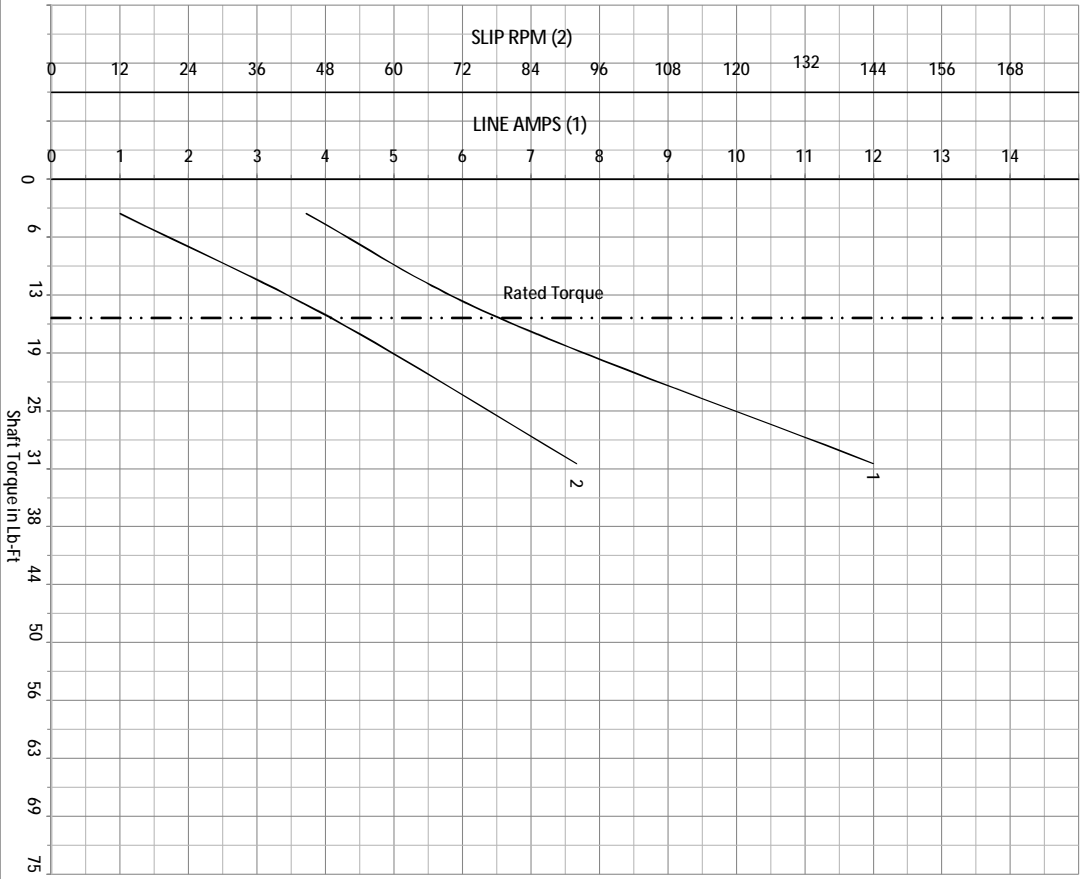
DR BY: Michael Williamson  
CK BY: Michael Williamson  
APP BY: Michael Williamson  
DATE: 5/14/2013

**06H929X369Z1**  
A-C MOTOR PERFORMANCE CURVES  
SH 1 of 2  
ISSUE DATE: 5/14/2013



REL. S.O.	ZDVSNM3665T	VOLTS	460	ENCLOSURE	TEFC	WYE CONN. EQ. CKT OHMS PER PHASE
FRAME	184TC	AMPS	6.6	MAX SAFE RPM	6000	(AT BASE RATING, 25°C)
HP	5	DUTY	CONT	In (AMPS)	3.6	R1 1.1200 X1 2.8100
BASE SPEED	1750	S.F.	1.00	P.F. @NL/FL	6/79	R2 0.9210 X2 2.3200
PHASE/HZ	3/60	AMB <sup>6</sup> /INSUL.	40/F	WK <sup>2</sup> (Lb-Ft <sup>2</sup> )	0.4	XM 68.7200

Vector PWM Inverter Duty  
Variable Speed AC Motor Curves

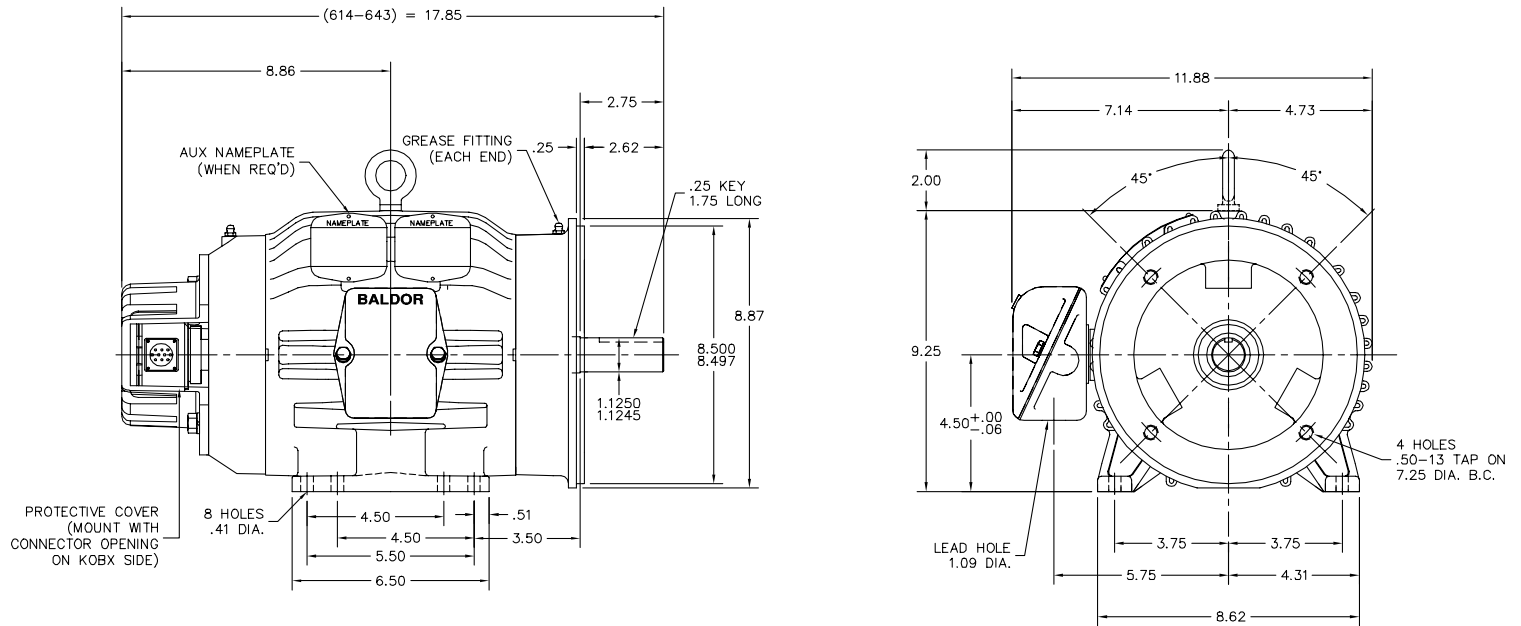


Calculated Data

Data Valid For Nameplate Speed Range only

	DR BY	Michael Williams	A-C MOTOR	06H929X369Z1
	CK BY	Michael Williams	PERFORMANCE CURVES	SH 2 of 2
	APP BY	Michael Williams	ISSUE DATE	5/14/2013
A MEMBER OF THE ABB GROUP	DATE	5/14/2013		

06LYH929



06LYH929

CUSTOMER IS RESPONSIBLE FOR DETERMINING THAT BALDOR'S PRODUCT WILL PERFORM SUITABLY IN THE INTENDED APPLICATION.

REV. DESC: ADD GRAPHICS FOR 2 AUX NAMEPLATE	VERSION: 02	TDR: 00001028400
REV. LTR: B	REVISOR: 02	BY: USZAHAR
FILE: \AAA\00193\782	REVISED: 02:16:17 05/15/2017	
MTL: -		

**BALDOR**

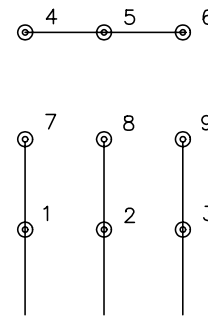
STD HORZ 182-4TC TENV V\*S MASTER VECTOR W/ BEI HS35

SH 1 of 1

CD0005

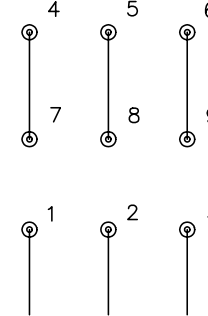


LOW VOLTAGE  
(2Y)



LINE

HIGH VOLTAGE  
(1Y)



LINE

NOTES:

1. INTERCHANGE ANY TWO LINE LEADS TO REVERSE ROTATION.
2. OPTIONAL THERMOSTATS ARE PROVIDED WHEN SPECIFIED.
3. ACTUAL NUMBER OF INTERNAL PARALLEL CIRCUITS MAY BE A MULTIPLE OF THOSE SHOWN ABOVE.
4. LEAD COLORS ARE OPTIONAL. LEADS MUST ALWAYS BE NUMBERED AS SHOWN.

REV. DESC: REVISE TO SHOW OPTIONAL COLORS			
REV. LTR: E	BY: JLP	REVISED: 01/19/99 10:15	TDR: 0171435
90000		FILE: AAA00005140	MDL: -
		MTL: -	

**BALDOR ELECTRIC Co.**

3PH, DV, 9 LEADS

CD0005